



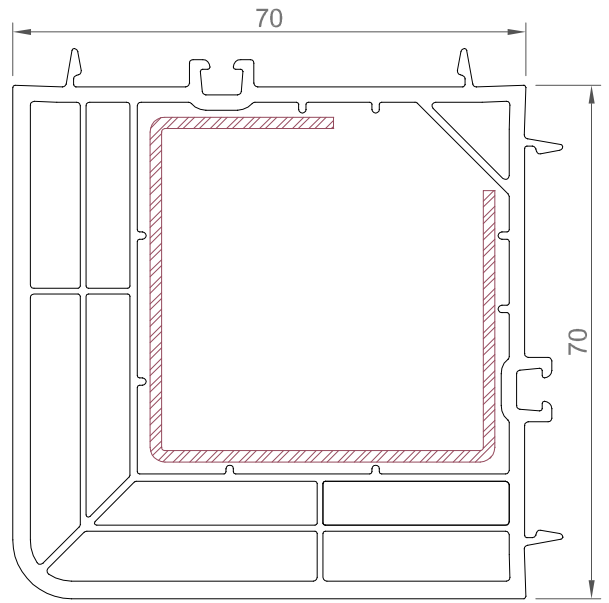
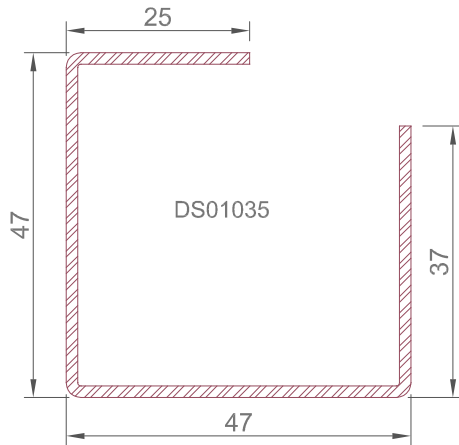
TECHNICAL CATALOG
AUXILIARY PROFILES

TECHNICAL CATALOG

70x70mm 90 DEGREE CORNER PROFILE

7252 1.337 kg/m

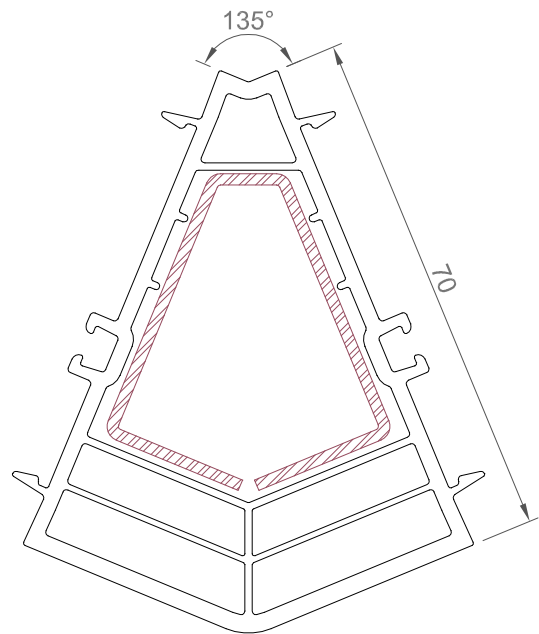
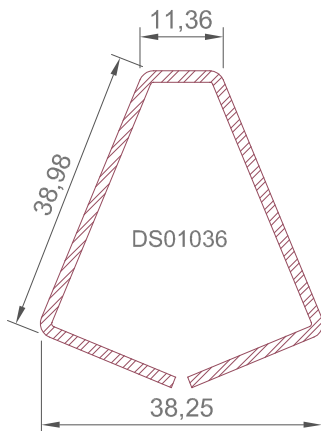
| Reinforcement steel | Thickness | Weight-kg/m |
|---------------------|-----------|-------------|
| | 1.25mm | 1.489 |
| DS01035 | 1.50mm | 1.779 |
| | 2.00mm | 2.336 |



135 DEGREE CORNER PROFILE

7253 0.924 kg/m

| Reinforcement steel | Thickness | Weight-kg/m |
|---------------------|-----------|-------------|
| | 1.25mm | 1.192 |
| DS01036 | 1.50mm | 1.422 |
| | 2.00mm | 1.875 |

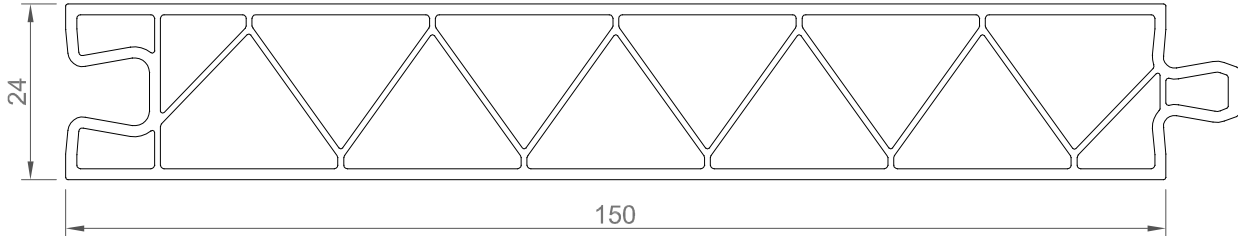


TECHNICAL CATALOG

PANEL PROFILE 150x24mm

7251

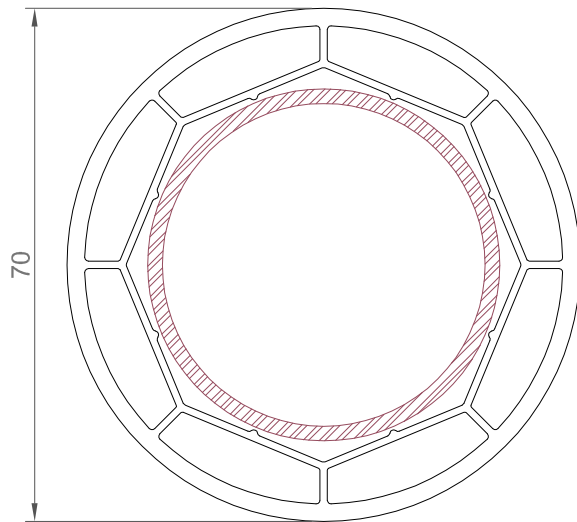
1.135 kg/m



CORNER PIPE PROFILE

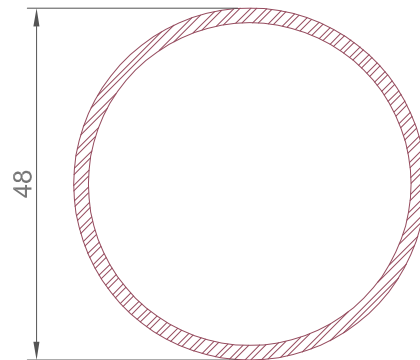
7254

1.044 kg/m



Pipe Reinforcement steel
DS01008
R= 24mm

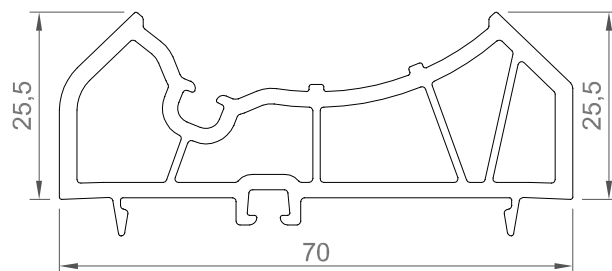
| Thickness | Weight-kg/m |
|-----------|-------------|
| 1.25mm | 1.441 |
| 1.50mm | 1.720 |
| 2.00mm | 2.269 |



CORNER ADAPTER PROFILE

7255

0.716 kg/m

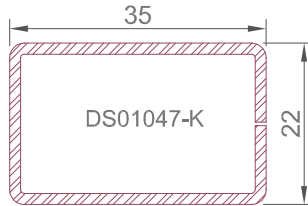
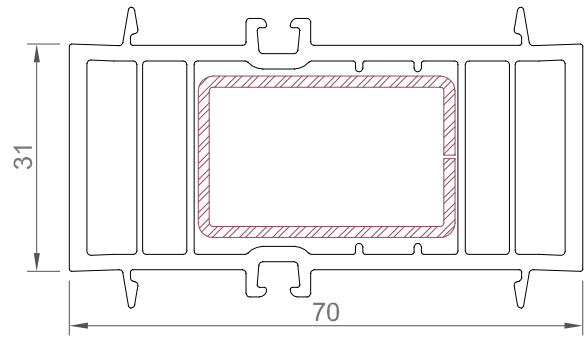


TECHNICAL CATALOG

CONNECTION PROFILE

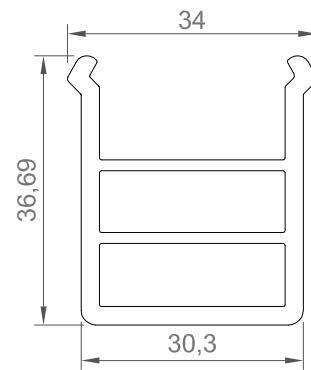
7256 0.845 kg/m

| Box-Reinforcement steel | Thickness | Weight-kg/m |
|-------------------------|-----------|-------------|
| DS01047-K 35x22 | 1.25mm | 1.052 |
| | 1.50mm | 1.247 |
| | 2.00mm | 1.621 |



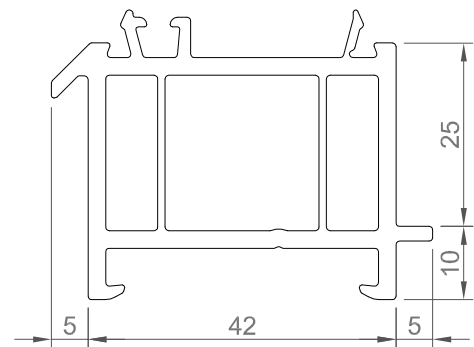
FRAME SUPPORT PROFILE

6053 0.472 kg/m



FRAME SUPPORT PROFILE

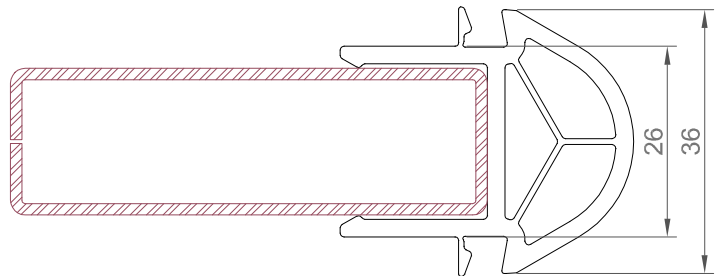
7257 0.658 kg/m



CONNECTION PROFILE

7258 0.491 kg/m

| Reinforcement steel | Thickness | Weight-kg/m |
|---------------------|-----------|-------------|
| DS01039-K 65x20 | 1.25mm | 1.602 |
| | 1.50mm | 1.906 |
| | 2.00mm | 2.501 |

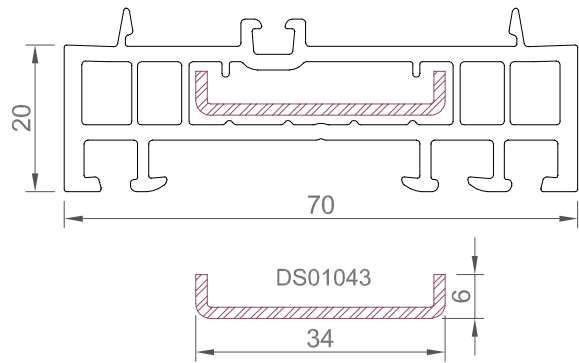


TECHNICAL CATALOG

70x20mm EXTENSION PROFILE

7259 0.723 kg/m

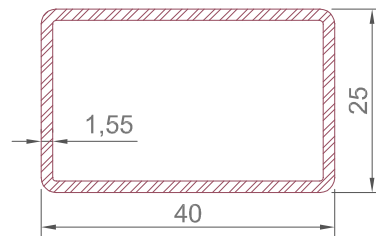
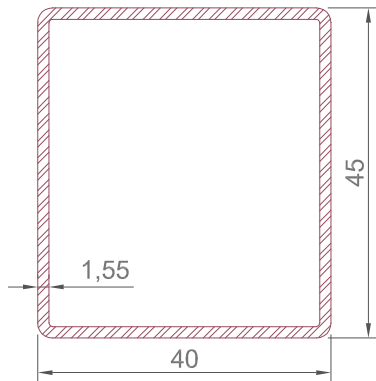
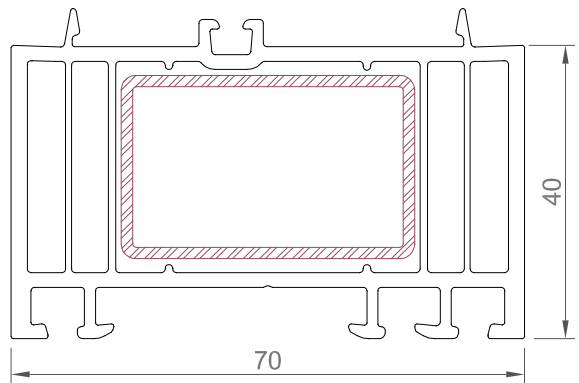
| U-Reinforcement | Thickness | Weight-kg/m |
|-----------------|-----------|-------------|
| DS01043 | 1.25mm | 0.426 |
| 34x6 | 1.50mm | 0.503 |
| | 2.00mm | 0.656 |



70X40mm EXTENSION PROFILE

7280 0.929 kg/m

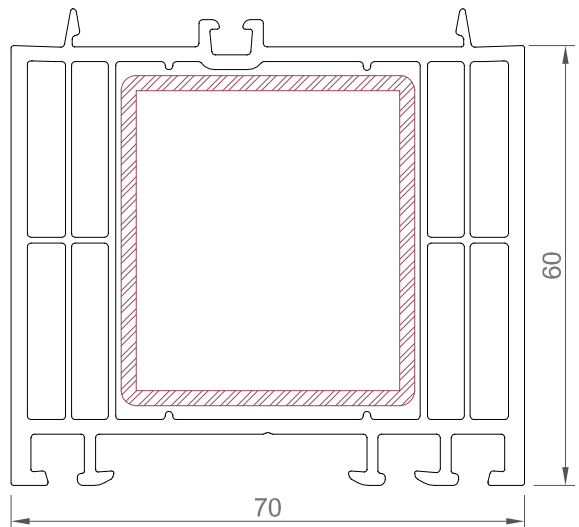
| Box-Reinforcement steel | Thickness | Weight-kg/m |
|-------------------------|-----------|-------------|
| DS 010077-K | 1.25mm | 1.209 |
| 40x25 | 1.50mm | 1.435 |
| | 2.00mm | 1.873 |



70X60mm EXTENSION PROFILE

7281 1.186 kg/m

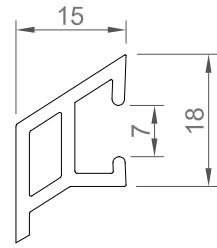
| Box-Reinforcement steel | Thickness | Weight-kg/m |
|-------------------------|-----------|-------------|
| DS 01078-K | 1.25mm | 1.602 |
| 40x45 | 1.50mm | 1.906 |
| | 2.00mm | 2.501 |



TECHNICAL CATALOG

DROPPER PROFILE

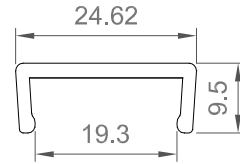
7277 0.159 kg/m



7277-K
Yan kapak

COVER PROFILE

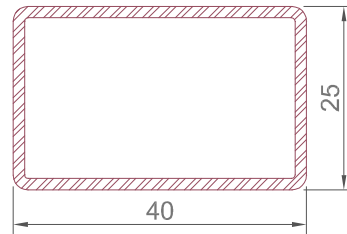
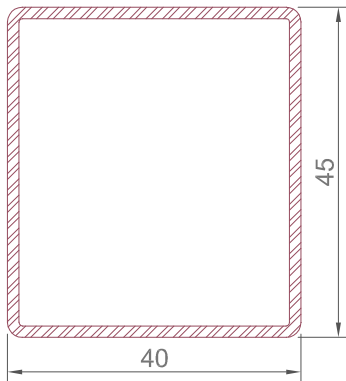
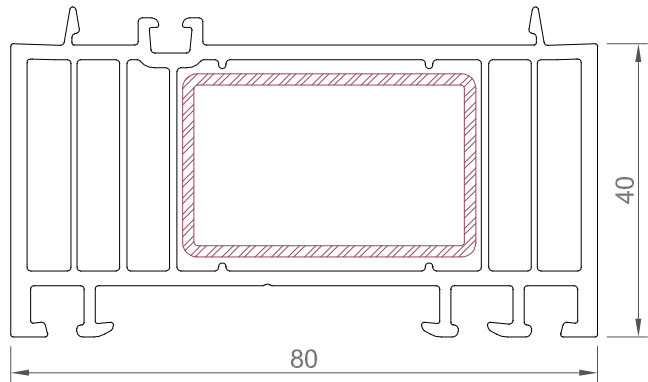
7279 0.110 kg/m



80X40mm EXTENSION PROFILE

7282 1.028 kg/m

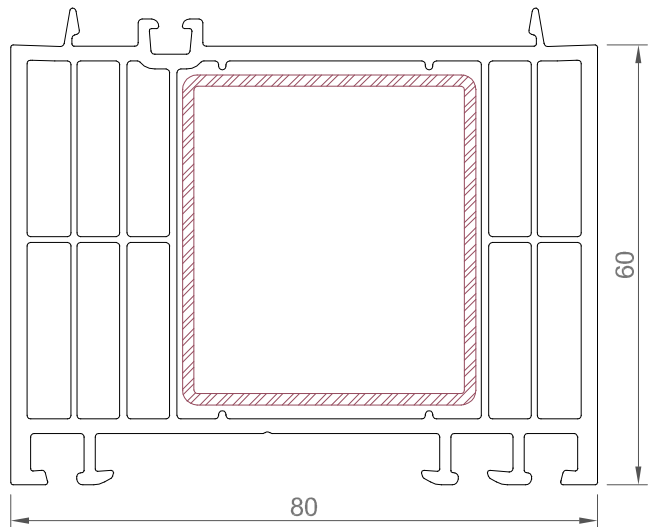
| Box-Reinforcement steel | Thickness | Weight-kg/m |
|-------------------------|-----------|-------------|
| DS01077-K | 1.25mm | 1.209 |
| 40x25 | 1.50mm | 1.435 |
| | 2.00mm | 1.873 |



80X60mm EXTENSION PROFILE

7283 1.325 kg/m

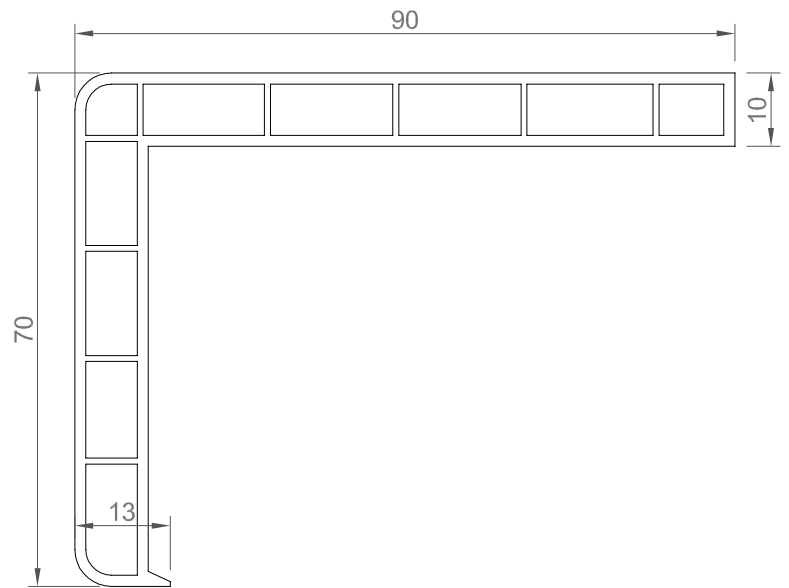
| Box-Reinforcement steel | Thickness | Weight-kg/m |
|-------------------------|-----------|-------------|
| DS01078-K | 1.25mm | 1.602 |
| 40x45 | 1.50mm | 1.906 |
| | 2.00mm | 2.501 |



TECHNICAL CATALOG

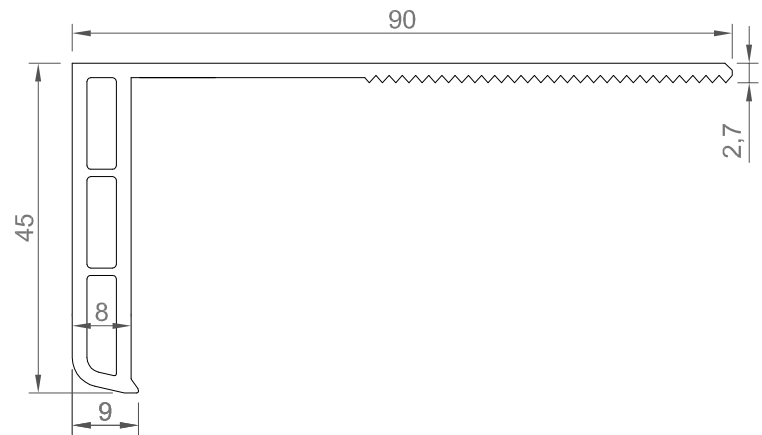
MASKING PROFILE - THICK

6019 0.780 kg/m



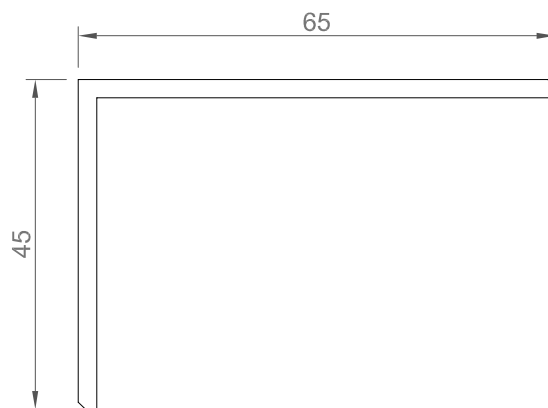
MASKING PROFILE - THICK MILLED

6055 0.544 kg/m



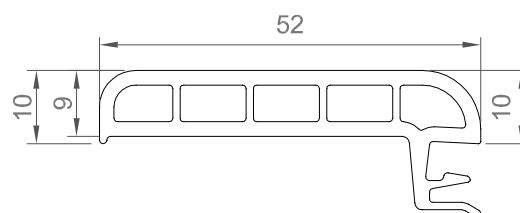
MASKING PROFILE

6056 0.388 kg/m



MASKING PROFILE

7274 0.401 kg/m

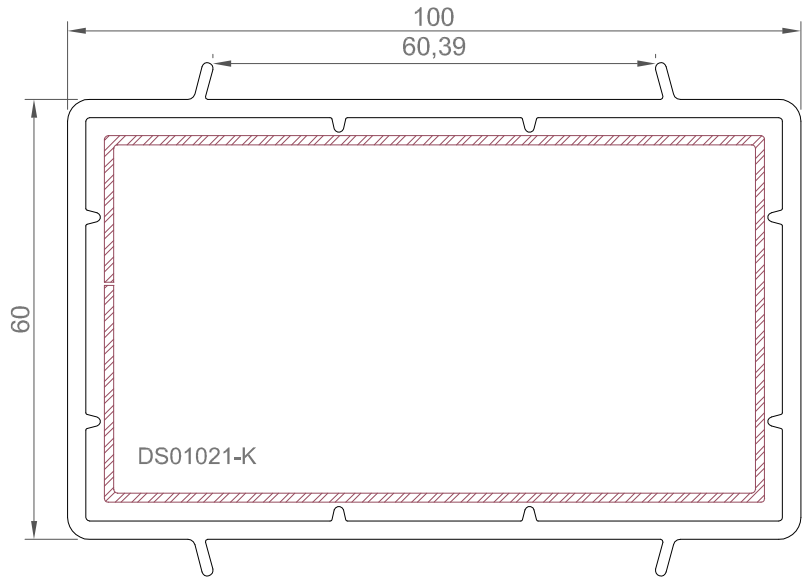


TECHNICAL CATALOG

60X100 BOX PROFILE

6052 0.986 kg/m

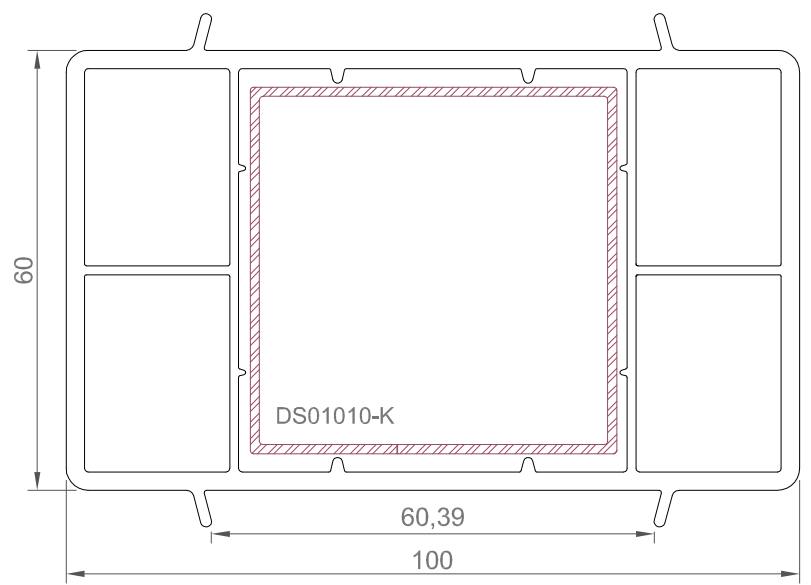
| Box-Reinforcement | Thickness | Weight-kg/m |
|-------------------|-----------|-------------|
| steel | 1.25mm | 2.681 |
| DS01021-K | 1.50mm | 3.201 |
| 90x50 | 2.00mm | 4.228 |



60X100 BOX PROFILE

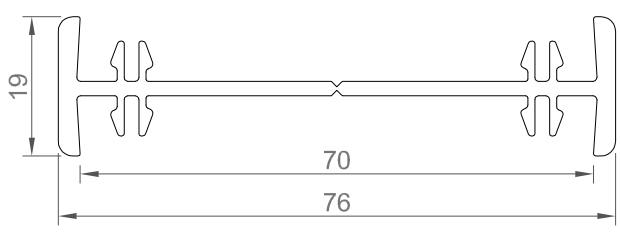
6051 1.148 kg/m

| Box -Reinforcement | Thickness | Weight-kg/m |
|--------------------|-----------|-------------|
| steel pipe | 1.25mm | 1.896 |
| DS01010-K | 1.50mm | 2.259 |
| 50x50 | 2.00mm | 2.972 |



NARROW CONNECTION PROFILE

7275 0.431 kg/m

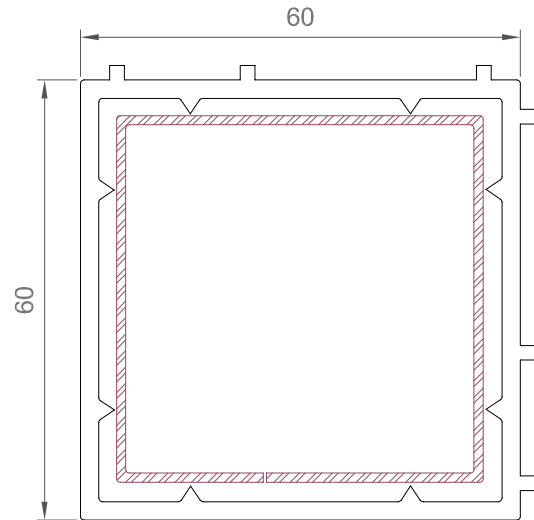


TECHNICAL CATALOG

60x60mm 90 DEGREE CORNER PROFILE

6020 0.905 kg/m

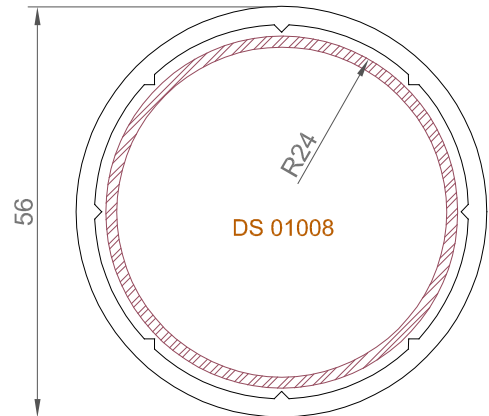
| Box -Reinforcement | Thickness | Weight-kg/m |
|--------------------|-----------|-------------|
| steel | 1.25mm | 1.896 |
| DS01010-K | 1.50mm | 2.259 |
| | 2.00mm | 2.972 |



CORNER PIPE PROFILE

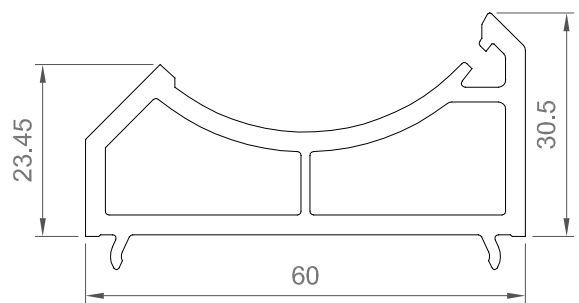
6016 0.621 kg/m

| Reinforcement | Thickness | Weight-kg/m |
|---------------|-----------|-------------|
| steel | 1.25mm | 1.441 |
| DS01008 | 1.50mm | 1.720 |
| | 2.00mm | 2.269 |



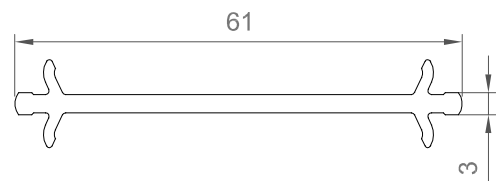
CORNER ADAPTER PROFILE

6015 0.678 kg/m



NARROW COUPLING PROFILE

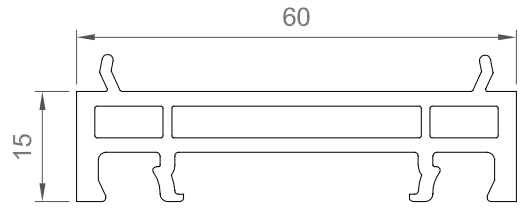
6014 0.265 kg/m



TECHNICAL CATALOG

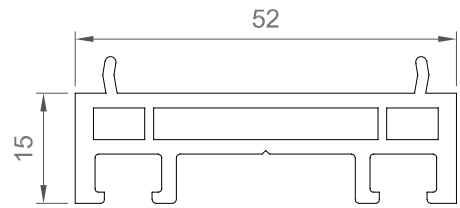
60x15 EXTENSION PROFILE

6050 0.526 kg/m



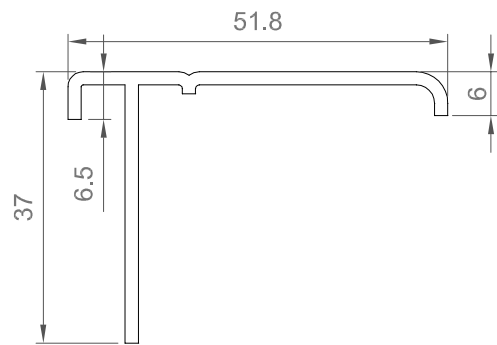
52x15mm EXTENSION PROFILE

5208 0.472 kg/m



GENİŞ -T- KAPAMA

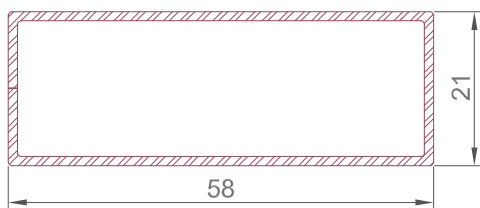
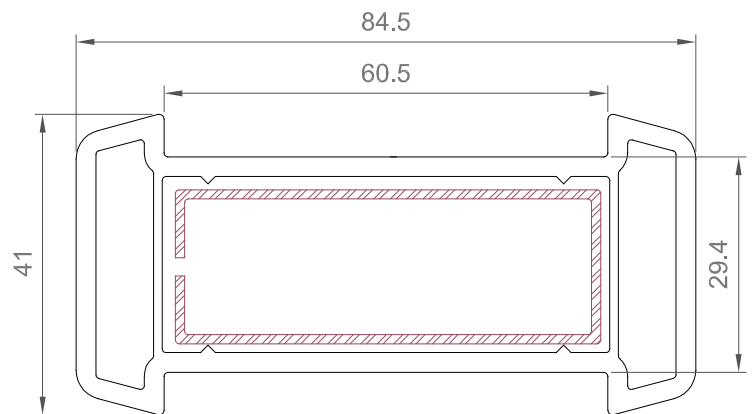
6021 0.248 kg/m



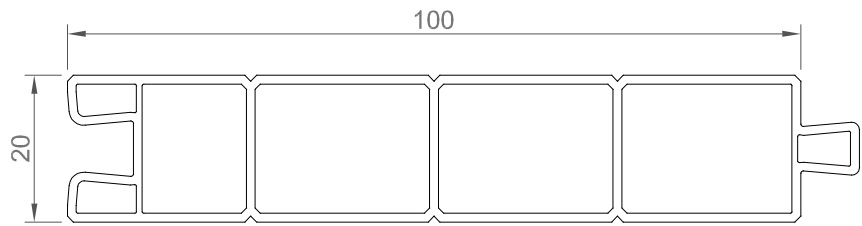
WIDE CONNECTION PROFILE

6013 1.060 kg/m

| Box -Reinforcement steel | Thickness | Weight-kg/m |
|--------------------------|-----------|-------------|
| DS01007-K | 1.25mm | 1.484 |
| | 1.50mm | 1.765 |
| | 2.00mm | 2.312 |



TECHNICAL CATALOG



PANEL PROFILE 100X20mm

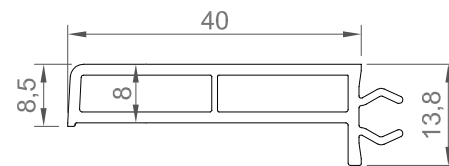
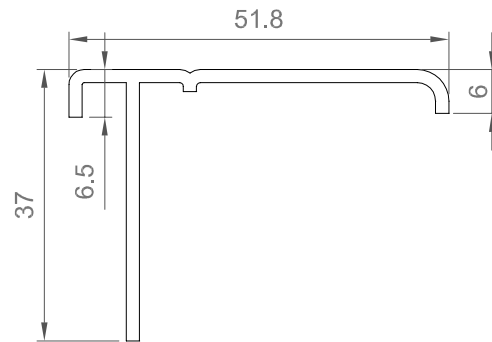
6012 0.571 kg/m

MASKING PROFILE

6021 0.248 kg/m

MASKING PROFILE

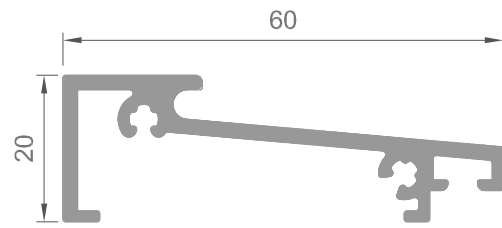
7278 0.232 kg/m



TECHNICAL CATALOG

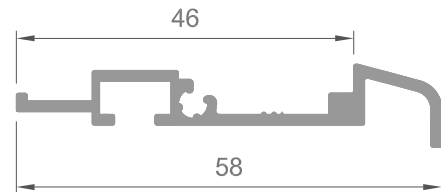
THRESHOLD PROFILE

AB01009 - 3308 0.668 kg/m



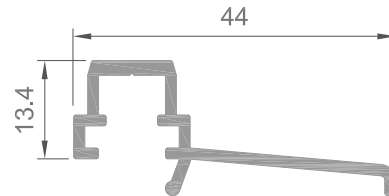
DOOR SASH DRAINER PROFILE

AB01011 - 4066 0.391 kg/m



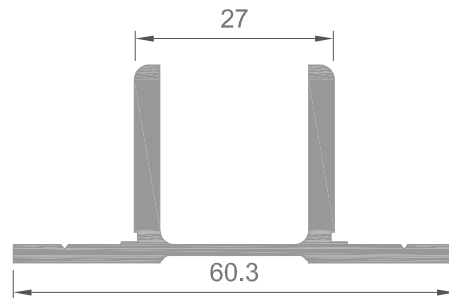
DOOR SASH DRAINER PROFILE . 5204

AB01010 - 3309 0.339 kg/m



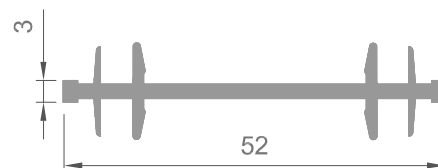
ALUMINIUM CONNECTION 5200

AB01006 - 1128 0.874 kg/m



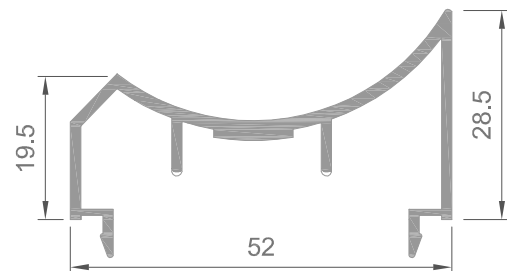
NARROW COUPLING PROFILE 5200

AB01004 - 2474 0.456 kg/m

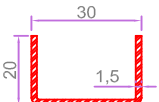
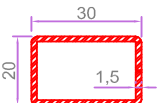
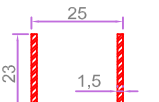
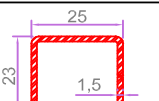
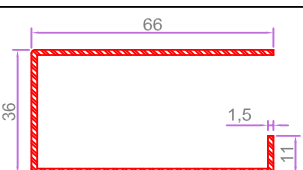
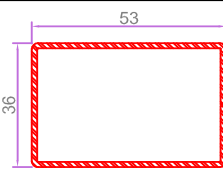
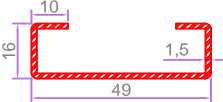
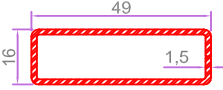
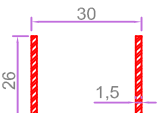
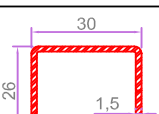
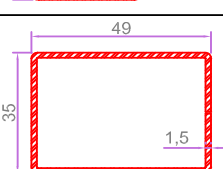




CORNER POST PIPE ADAPTING

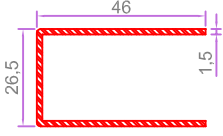
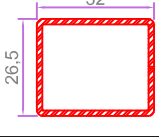
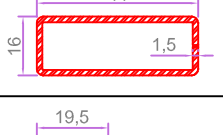
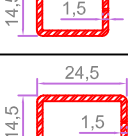
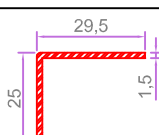
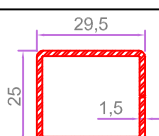
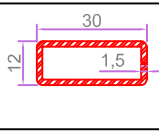
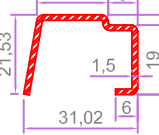
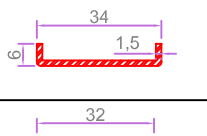
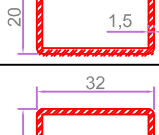
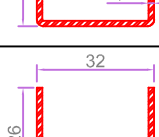
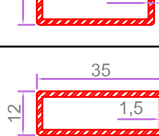


AB01001 - 2605 0.491 kg/m



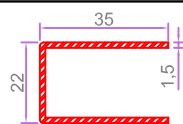
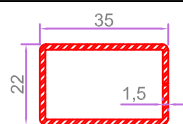
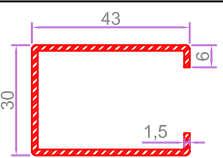
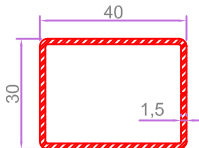

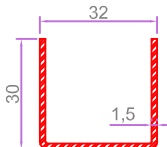
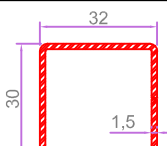
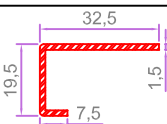

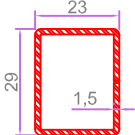
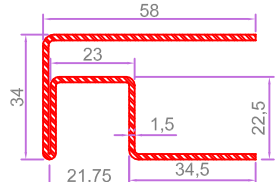
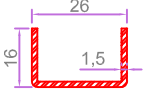
TECHNICAL CATALOG

| CODE | REINFORCEMENT STEEL | PROFILE USED | Thickness mm | Weight kg/m | Ix cm4 | Iy cm4 |
|-----------|---|---------------------|--------------|-------------|--------|--------|
| DS01001 |  | 6059N | 1,25mm | 0,656 | 0,34 | 1,23 |
| | | 7403N | 1,5mm | 0,776 | 0,40 | 1,43 |
| | | | 2,0mm | 1,024 | 0,51 | 1,82 |
| DS01001-K |  | 6054N | 1,25mm | 0,915 | 0,75 | 1,42 |
| | | 7403N | 1,5mm | 1,082 | 0,87 | 1,64 |
| | | | 2,0mm | 1,402 | 1,07 | 2,04 |
| DS01011 |  | 5200N | 1,25mm | 0,666 | 0,47 | 0,91 |
| | | | 1,5mm | 0,788 | 0,55 | 1,06 |
| | | | 2,0mm | 1,039 | 0,71 | 1,35 |
| DS01011-K |  | 5200N | 1,25mm | 0,875 | 0,89 | 1,01 |
| | | | 1,5mm | 1,029 | 1,02 | 1,16 |
| | | | 2,0mm | 1,348 | 1,29 | 1,46 |
| DS01013 |  | 5204N | 1,25mm | 1,715 | 5,47 | 11,21 |
| | | | 1,5mm | 2,050 | 6,46 | 13,31 |
| | | | 2,0mm | 2,697 | 8,29 | 17,17 |
| DS01013-K |  | 5204N | 1,25mm | 1,680 | 4,73 | 8,56 |
| | | | 1,5mm | 2,000 | 5,55 | 10,07 |
| | | | 2,0mm | 2,626 | 7,08 | 12,92 |
| DS01014 |  | 7401 | 1,25mm | 0,925 | 0,44 | 4,01 |
| | | | 1,5mm | 1,094 | 0,50 | 4,67 |
| | | | 2,0mm | 1,417 | 0,61 | 5,88 |
| DS01014-K |  | 7401 | 1,25mm | 1,209 | 0,70 | 4,24 |
| | | | 1,5mm | 1,429 | 0,81 | 4,91 |
| | | | 2,0mm | 1,882 | 1,00 | 6,33 |
| DS01018 |  | 6040N Diamond | 1,25mm | 0,774 | 0,70 | 1,54 |
| | | 7150N - Comfort | 1,5mm | 0,918 | 0,82 | 1,79 |
| | | 60mm & 70mm Elegans | 2,0mm | 1,212 | 1,07 | 2,30 |
| DS01018-K |  | 6040N - Diamond | 1,25mm | 1,033 | 1,39 | 1,73 |
| | | 7150N - Comfort | 1,5mm | 1,217 | 1,60 | 1,99 |
| | | 60mm & 70mm Elegans | 2,0mm | 1,600 | 2,03 | 2,53 |
| DS01019-K |  | 6048N | 1,25mm | 1,582 | 4,15 | 6,95 |
| | | | 1,5mm | 1,882 | 4,87 | 8,17 |
| | | | 2,0mm | 2,469 | 6,20 | 10,46 |
| DS01023 |  | 7506 | 1,25mm | 0,852 | 1,04 | 1,75 |
| | | | 1,5mm | 1,012 | 1,22 | 2,04 |
| | | | 2,0mm | 1,338 | 1,59 | 2,61 |
| DS01023-K |  | 7506 | 1,25mm | 1,111 | 1,95 | 1,93 |
| | | | 1,5mm | 1,312 | 2,25 | 2,23 |
| | | | 2,0mm | 1,725 | 2,87 | 2,85 |

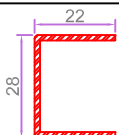
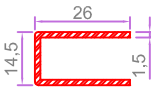
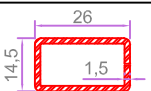
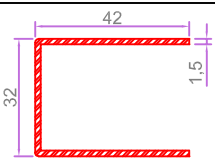
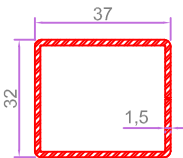
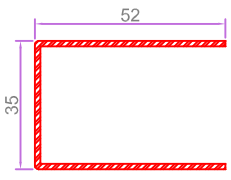
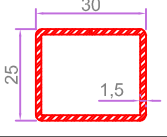
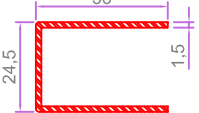
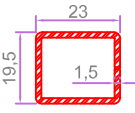
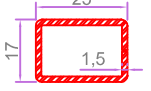
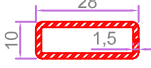
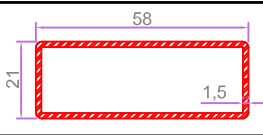
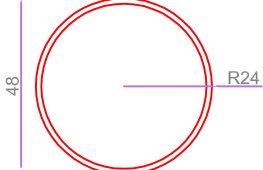
TECHNICAL CATALOG

| | | | | | | |
|-------------|---|---|--------------------------|-------------------------|----------------------|----------------------|
| DS01025 |  | 5210N | 1,25mm 1,5mm 2,0mm | 1,135 1,357 1,785 | 1,97 2,31 2,93 | 3,20 3,80 4,94 |
| DS01025-K |  | 5210N | 1,25mm 1,5mm 2,0mm | 1,082 1,282 1,668 | 1,53 1,78 2,23 | 2,04 2,38 2,99 |
| DS01026-K |  | 7413 | 1,25mm 1,5mm 2,0mm | 1,111 1,317 1,716 | 0,64 0,73 0,90 | 3,21 3,74 4,70 |
| DS01027-K |  | 7407 | 1,25mm 1,5mm 2,0mm | 0,601 0,705 0,899 | 0,24 0,27 0,32 | 0,38 0,43 0,52 |
| DS01028-K |  | 7408 | 1,25mm 1,5mm 2,0mm | 0,699 0,822 1,056 | 0,29 0,33 0,40 | 0,68 0,77 0,94 |
| DS01034 |  | 7153N | 1,25mm 1,5mm 2,0mm | 0,796 0,950 1,243 | 0,93 1,10 1,42 | 1,15 1,35 1,69 |
| DS01034-K |  | 7153N | 1,25mm 1,5mm 2,0mm | 1,003 1,188 1,543 | 1,25 1,45 1,80 | 1,61 1,87 2,33 |
| DS01040-K |  | 7460 | 1,25mm 1,5mm 2,0mm | 0,758 0,893 1,150 | 0,23 0,26 0,30 | 1,00 1,15 1,41 |
| DS01041 |  | 7461 | 1,25mm 1,5mm 2,0mm | 0,697 0,830 1,089 | 0,46 0,54 0,69 | 1,21 1,42 1,81 |
| DS01043 |  | Maxi series 7259-7051-7052 ing systems | 1,25mm 1,5mm 2,0mm | 0,426 0,503 0,656 | 0,01 0,01 0,01 | 0,72 0,83 1,05 |
| S01044 D |  | Maxi series 7051-7082-7083-7068 | 1,25mm 1,5mm 2,0mm | 0,676 0,803 1,050 | 0,35 0,41 0,52 | 1,43 1,67 2,11 |
| DS01044-K |  | Maxi series 7051-7082-7083-7068 | 1,25mm 1,5mm 2,0mm | 0,954 1,129 1,464 | 0,80 0,92 1,13 | 1,66 1,92 2,40 |
| DS01045 |  | Maxi series 7052-7059-7086-7087-7053- 7054-8061 | 1,25mm 1,5mm 2,0mm | 0,796 0,950 1,243 | 0,72 0,85 1,10 | 1,79 2,10 2,66 |
| DS01046-K |  | Maxi series 7055-7069-7411N | 1,25mm 1,5mm 2,0mm | 0,862 1,024 1,317 | 0,26 0,30 0,36 | 1,52 1,78 2,17 |

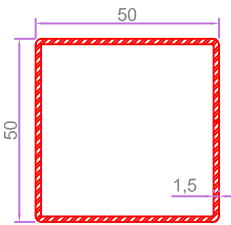
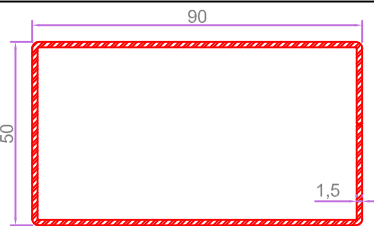
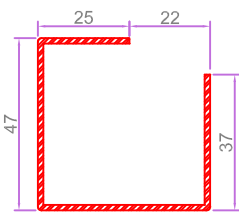
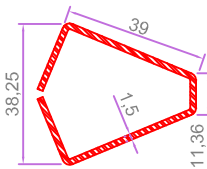
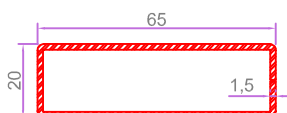


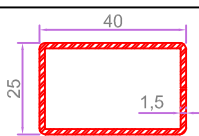
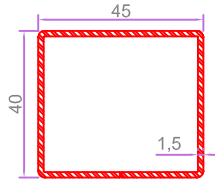
TECHNICAL CATALOG

| | | | | | | |
|-----------|---|---|--------------------------|-------------------------|----------------------|-------------------------|
| DS01047 |  | Maxi series 7056 | 1,25mm 1,5mm 2,0mm | 0,875 1,045 1,369 | 1,01 1,18 1,48 | 1,42 1,69 2,17 |
| DS01047-K |  | Maxi series 7056-7256 | 1,25mm 1,5mm 2,0mm | 1,052 1,247 1,621 | 1,07 1,24 1,54 | 2,21 2,57 3,23 |
| DS01048 |  | Maxi series 7057-7058 | 1,25mm 1,5mm 2,0mm | 1,200 1,430 1,859 | 2,57 3,02 3,79 | 3,48 4,10 5,13 |
| DS01048-K |  | Maxi series 7077-7057-7058 | 1,25mm 1,5mm 2,0mm | 1,308 1,547 2,039 | 2,46 2,86 3,65 | 3,83 4,45 5,73 |
| DS01049-K |  | Maxi series 1251-1252-1253 | 1,25mm 1,5mm 2,0mm | 1,896 2,253 2,981 | 1,34 1,54 1,93 | 17,60 20,60 26,88 |
| DS01050 |  | Maxi series 7052-7059-7086-7087-7053- 7054-8061 | 1,25mm 1,5mm 2,0mm | 0,872 1,035 1,369 | 1,06 1,25 1,63 | 2,02 2,36 3,03 |
| DS01050-K |  | Maxi series 7052-7059-7086-7087-7053- 7054-8061 | 1,25mm 1,5mm 2,0mm | 1,151 1,358 1,788 | 2,05 2,37 3,02 | 2,25 2,60 3,33 |
| DS01053 |  | Maxi series 7065-7070 | 1,25mm 1,5mm 2,0mm | 0,556 0,662 0,859 | 0,19 0,23 0,28 | 0,89 1,04 1,33 |
| DS01055 |  | 1702 Hebeschiebe sash | 1,25mm 1,5mm 2,0mm | 1,444 1,728 2,280 | 4,20 4,95 6,35 | 6,53 7,78 10,15 |
| DS01056-K |  | 1702 Hebeschiebe sash | 1,25mm 1,5mm 2,0mm | 0,954 1,129 1,464 | 1,01 1,16 1,44 | 1,46 1,69 2,11 |
| DS01059 |  | 1702 Hebeschiebe sash Alternative | 1,25mm 1,5mm 2,0mm | 0,000 2,179 0,000 | 4,47 | 8,84 |
| DS01060 |  | 7411N | 1,25mm 1,5mm 2,0mm | 0,538 0,638 0,830 | 0,17 0,20 0,26 | 0,73 0,85 1,06 |

TECHNICAL CATALOG

| | | | | | | |
|-----------|---|-------|--------------------------|-------------------------|----------------------|-----------------------|
| DS01071 |  | 7415 | 1,25mm 1,5mm 2,0mm | 0,679 0,809 1,055 | 0,43 0,51 0,65 | 1,14 1,43 1,69 |
| DS01072 |  | 7416 | 1,25mm 1,5mm 2,0mm | 0,625 0,744 0,969 | 0,30 0,34 0,42 | 0,54 0,64 0,81 |
| DS01072-K |  | 7416 | 1,25mm 1,5mm 2,0mm | 0,729 0,858 1,103 | 0,31 0,35 0,42 | 0,79 0,90 1,10 |
| DS01073 |  | 7509 | 1,25mm 1,5mm 2,0mm | 1,110 1,327 1,746 | 2,66 3,22 4,11 | 2,74 3,16 4,11 |
| DS01074-K |  | 7509 | 1,25mm 1,5mm 2,0mm | 1,288 1,529 1,998 | 2,68 3,13 3,95 | 3,34 3,90 4,94 |
| DS01076 |  | 6048N | 1,25mm 1,5mm 2,0mm | 1,336 1,598 2,107 | 4,04 4,77 6,11 | 4,90 5,83 7,60 |
| DS01079-K |  | 7470 | 1,25mm 1,5mm 2,0mm | 1,013 1,200 1,559 | 1,26 1,46 1,82 | 1,69 1,96 2,45 |
| DS01080 |  | 7471 | 1,25mm 1,5mm 2,0mm | 0,919 1,098 1,440 | 1,32 1,54 1,94 | 1,60 1,89 2,44 |
| DS01081-K |  | 7471 | 1,25mm 1,5mm 2,0mm | 0,768 0,905 1,166 | 0,56 0,65 0,79 | 0,72 0,83 1,02 |
| DS01082-K |  | 7403N | 1,25mm 1,5mm 2,0mm | 0,758 0,893 1,150 | 0,44 0,50 0,62 | 0,80 0,92 1,16 |
| DS01083-K |  | 7411N | 1,25mm 1,5mm 2,0mm | 0,679 0,799 1,025 | 0,13 0,15 0,18 | 0,74 0,85 1,07 |
| DS01007-K |  | 6013 | 1,25mm 1,5mm 2,0mm | 1,484 1,765 2,312 | 1,53 1,77 2,22 | 7,61 8,92 11,39 |
| DS01008 |  | 7253 | 1,25mm 1,5mm 2,0mm | 1,441 1,720 2,269 | 5,01 5,92 7,65 | 5,01 5,92 7,65 |

TECHNICAL CATALOG

| | | | | | | |
|-----------|---|----------------------------|--------------------------|-------------------------|-------------------------|-------------------------|
| DS01010-K |  | 60x100mm 6020 / 6051 | 1,25mm 1,5mm 2,0mm | 1,896 2,259 2,972 | 9,52 11,22 14,44 | 9,56 11,27 14,50 |
| DS01021-K |  | 60x100mm 6052 | 1,25mm 1,5mm 2,0mm | 2,681 3,201 4,228 | 15,50 18,32 23,72 | 38,13 45,20 58,85 |
| DS01035 |  | 7252 | 1,25mm 1,5mm 2,0mm | 1,489 1,779 2,336 | 4,69 5,55 7,15 | 7,76 9,17 11,74 |
| DS01036 |  | 7253 | 1,25mm 1,5mm 2,0mm | 1,192 1,422 1,875 | 2,06 2,42 3,09 | 2,96 3,49 4,50 |
| DS01039-K |  | 7258 / 7052 | 1,25mm 1,5mm 2,0mm | 1,602 1,906 2,501 | 1,52 1,77 2,21 | 9,94 11,67 14,94 |
| DS01051-K |  | 7258 / 8061 | 1,25mm 1,5mm 2,0mm | 1,798 2,142 2,815 | 1,74 2,02 2,53 | 14,43 16,99 21,84 |
| DS01052-K |  | 7258 / 1251 | 1,25mm 1,5mm 2,0mm | 2,573 3,072 4,055 | 2,61 3,04 3,82 | 44,59 52,77 68,53 |
| DS01077-K |  | 70mm / 80mm 7280 / 7282 | 1,25mm 1,5mm 2,0mm | 1,209 1,435 1,873 | 1,62 1,88 2,36 | 3,36 3,92 4,96 |
| DS01078-K |  | 70mm / 80mm 7281 / 7283 | 1,25mm 1,5mm 2,0mm | 1,602 1,906 2,501 | 5,23 6,14 7,85 | 6,30 7,41 9,48 |



winsystems

u-pvc windows

 TÜRKİYE

Halkapınar Mah.1442 Sk. No:2/B - 101
Yenişehir - Konak / İZMİR
☎ +90 232 459 26 00
☎ +90 232 459 07 27
✉ info@winsystems.com.tr

 MACEDONIA

Str. 1675 No: 81 Suto Orizari
(Vizbeg ; do NewStar Hotelot)
Skopje, R. MACEDONIA
☎ +389 77 887 881
✉ wins@wins.com.mk