

TECHNICAL CATALOG

EMPIRE SYSTEM

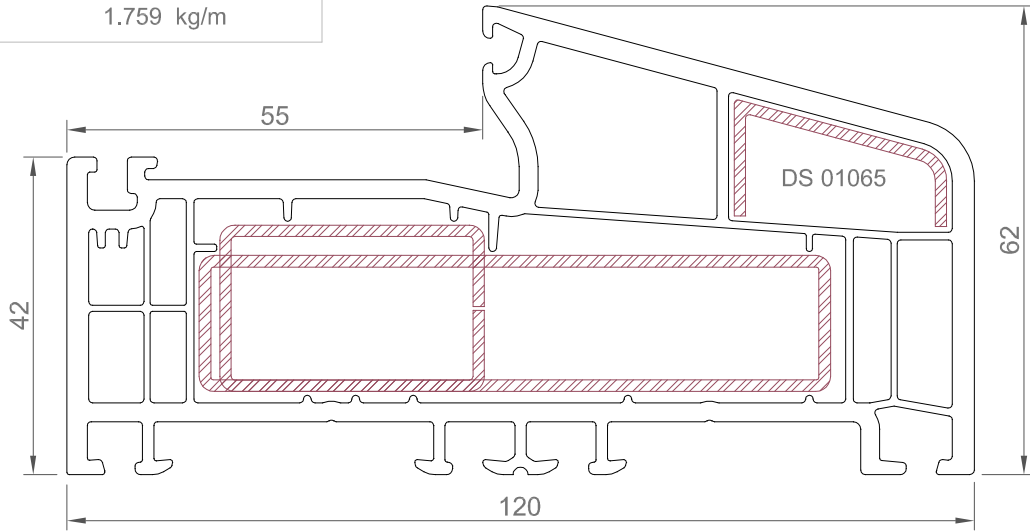


TECHNICAL CATALOG

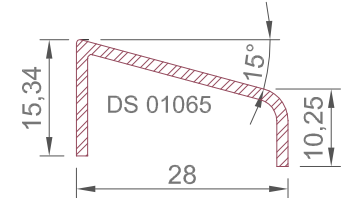
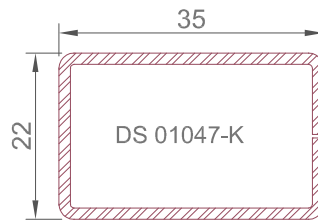
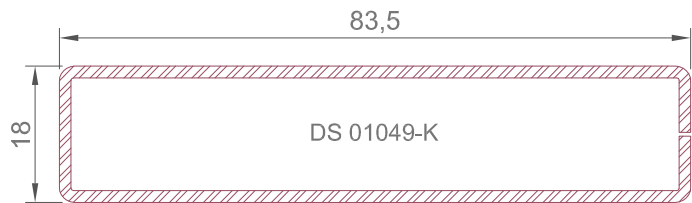
FRAME PROFILE

1251

1.759 kg/m



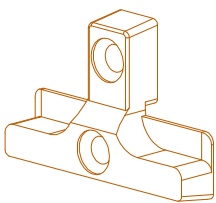
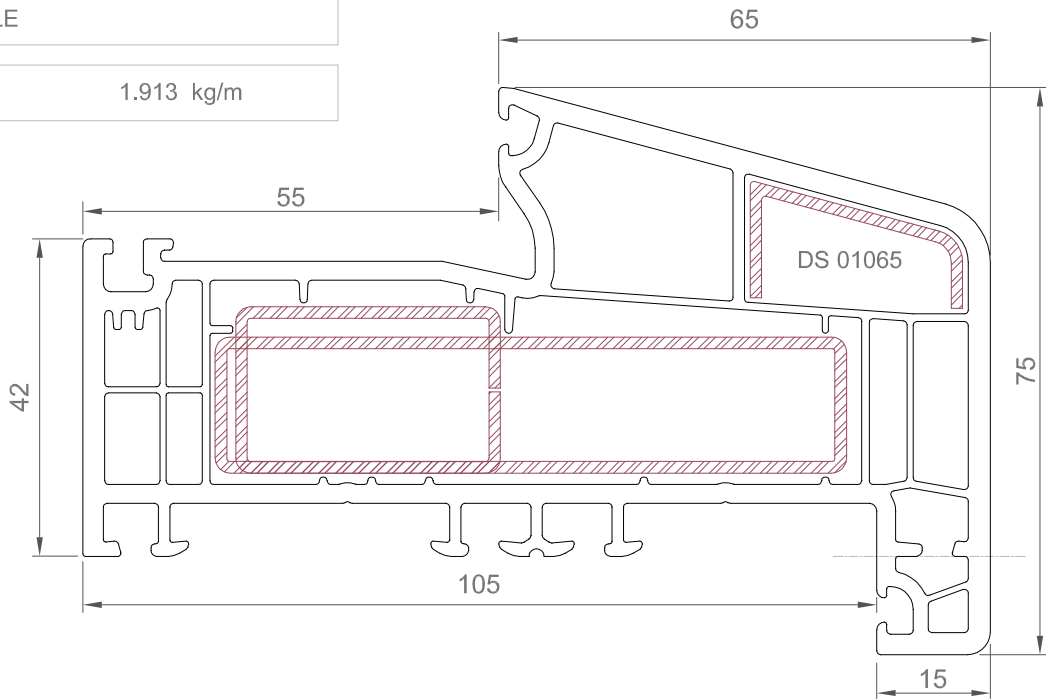
	Thickness	Weight-kg/m
Box Reinforcement steel DS01049-K 83.5x18	1.25mm	1.896
	1.50mm	2.253
	2.00mm	2.981
Box Reinforcement steel DS01047-K 35x22	1.25mm	1.052
	1.50mm	1.247
	2.00mm	1.621
Reinforcement steel DS01065	1.50mm	0.588
	2.00mm	



FRAME PROFILE

1252

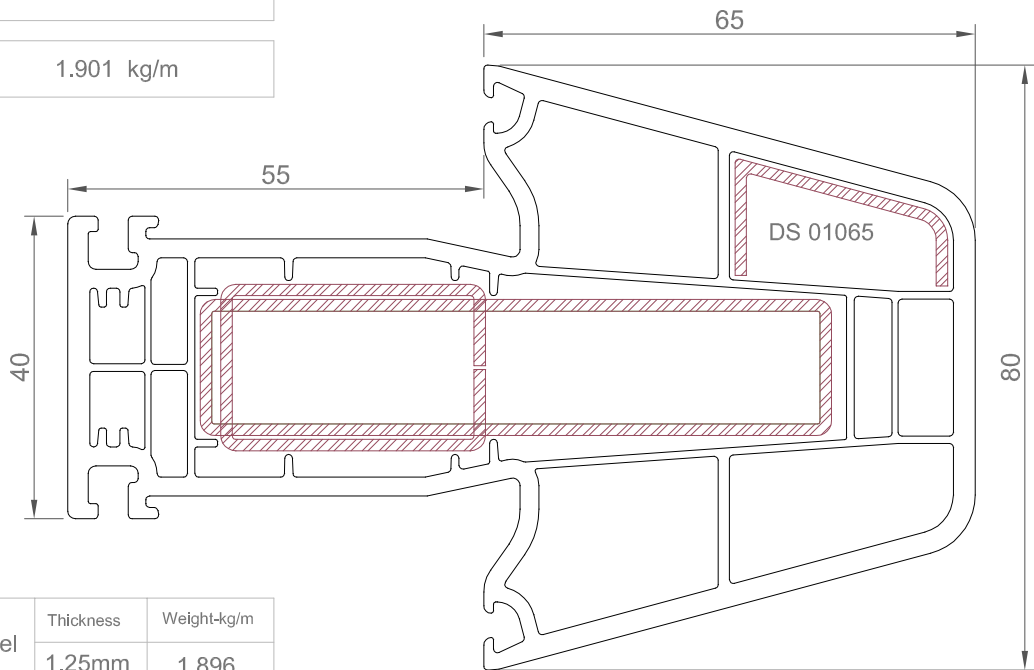
1.913 kg/m



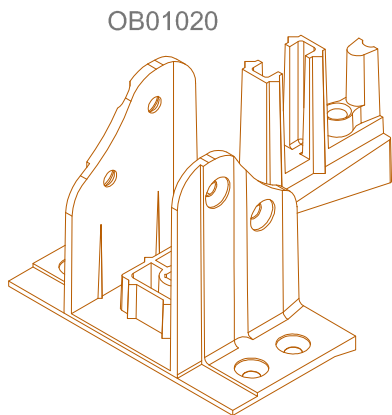
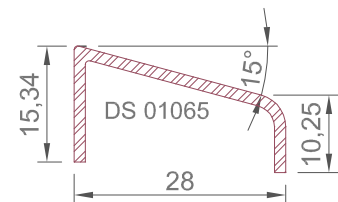
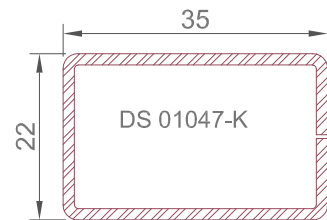
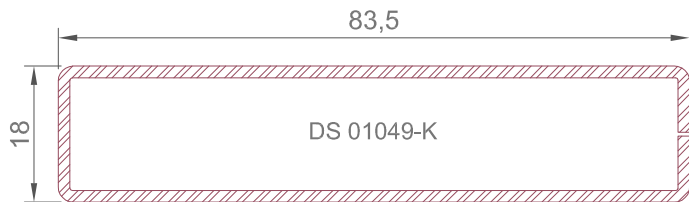
IK01010

TECHNICAL CATALOG

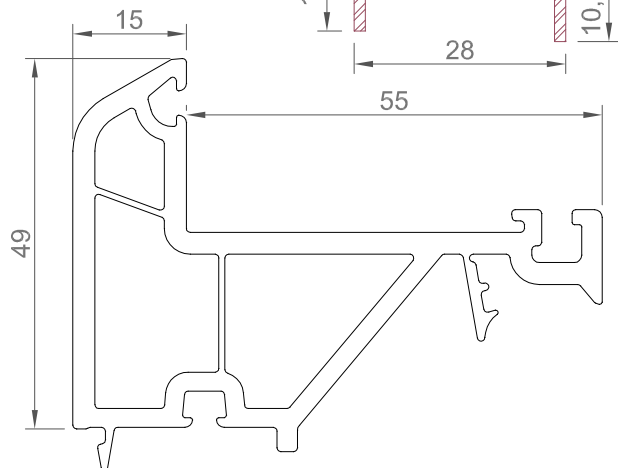
MULLION PROFILE	
1253	1.901 kg/m



	Thickness	Weight-kg/m
Box Reinforcement steel DS01049-K 83.5x18	1.25mm	1.896
	1.50mm	2.253
	2.00mm	2.981
Box Reinforcement steel DS01047-K 35x22	1.25mm	1.052
	1.50mm	1.247
	2.00mm	1.621
Reinforcement steel DS01065	1.50mm	0.588
	2.00mm	



CLIPS PROFILE	
1254	0.927 kg/m

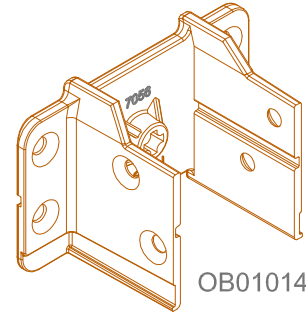
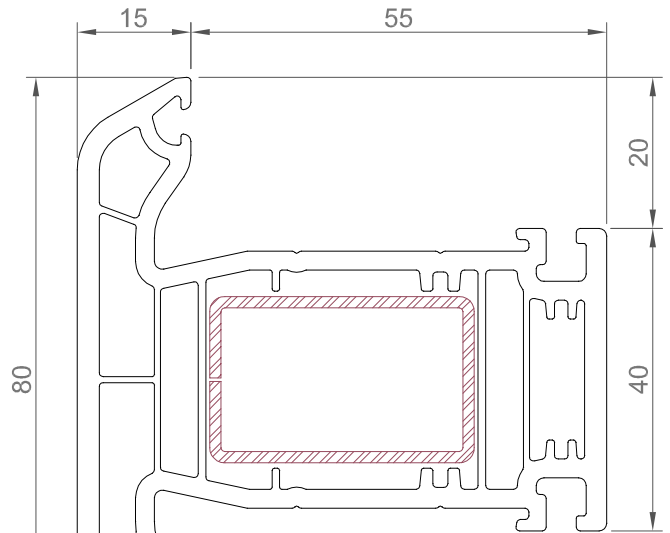


TECHNICAL CATALOG

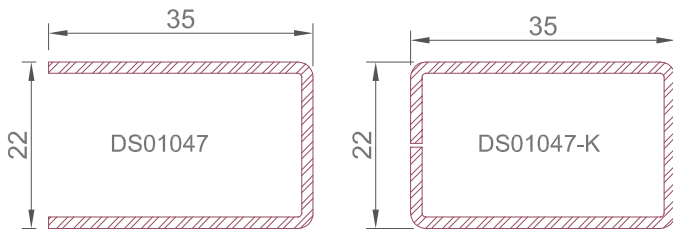
MULLION PROFILE

7056	1.413 kg/m
7056 EU-B	1.268 kg/m

	Thickness	Weight-kg/m
U- Reinforcement steel DS01047 22x35	1.25mm	0.875
	1.50mm	1.045
	2.00mm	1.369
Box Reinforcement steel DS01047-K 22x35	1.25mm	1.052
	1.50mm	1.247
	2.00mm	1.621



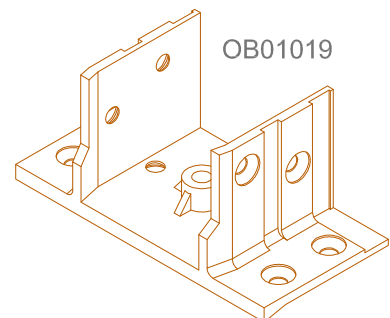
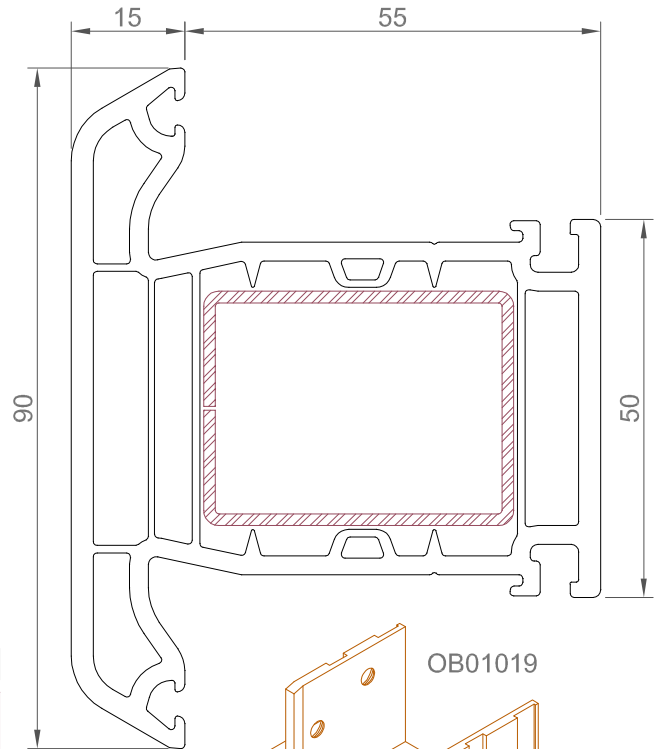
OB01014



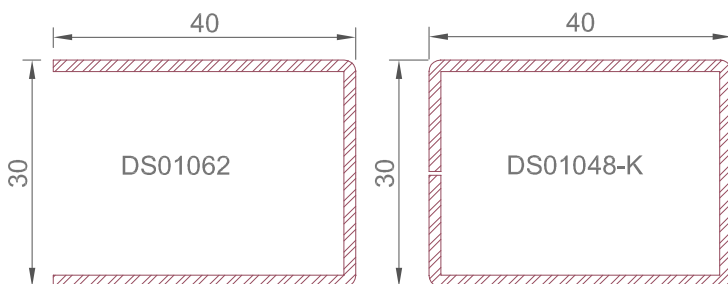
WIDE MULLION PROFILE

7077 EU-B	1.427 kg/m
-----------	------------

	Thickness	Weight-kg/m
U-Reinforcement steel DS01062 30x40	1.25mm	1.051
	1.50mm	1.257
	2.00mm	1.652
Box Reinforcement steel DS01048-K 30x40	1.25mm	1.308
	1.50mm	1.547
	2.00mm	2.039



OB01019

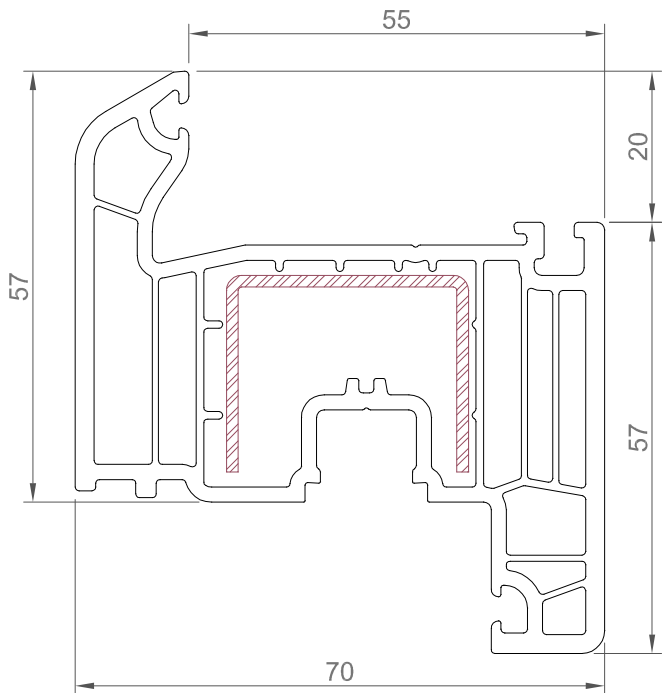
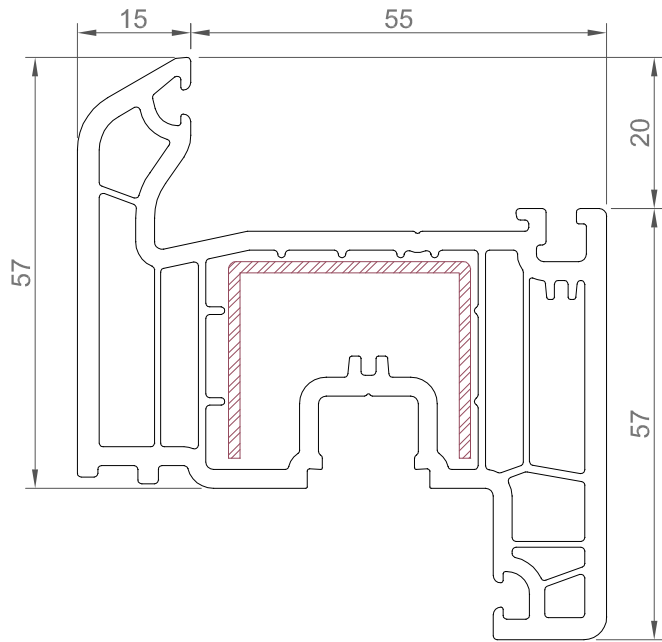


TECHNICAL CATALOG

SASH PROFILE

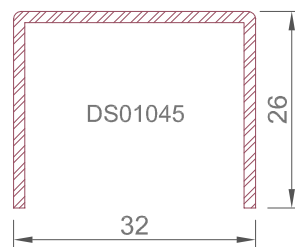
7053	1.446 kg/m
7053 EU-B	1.286 kg/m

	Thickness	Weight-kg/m
U-Reinforcement steel	1.25mm	0.796
DS01045	1.50mm	0.950
32x26	2.00mm	1.243



6 CHAMBERED SASH PROFILE

7087 EU-B	1.300 kg/m
-----------	------------

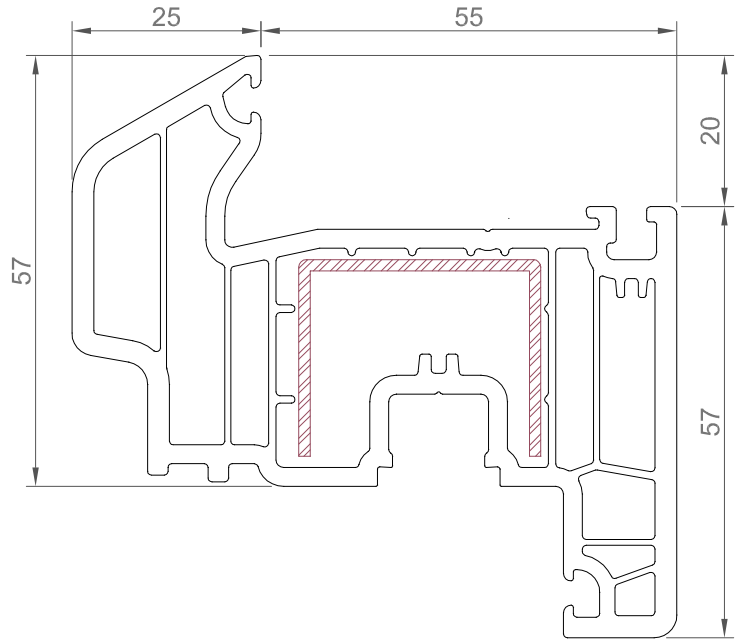
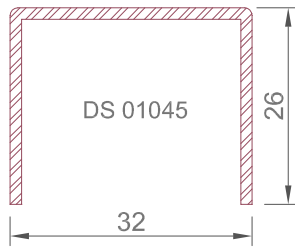


TECHNICAL CATALOG

DROPPER SASH PROFILE

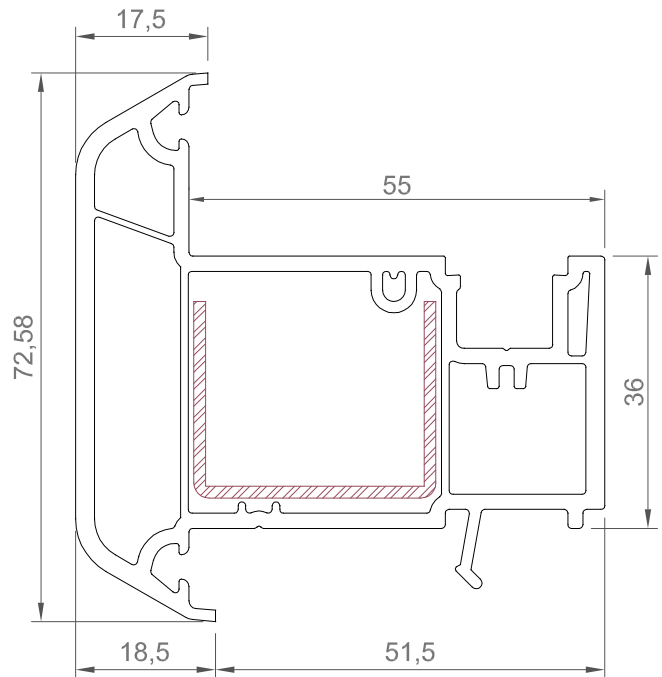
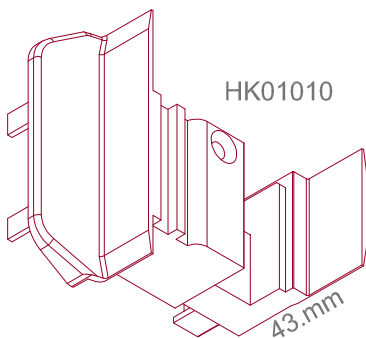
7054	1.528 kg/m
7054 EU-B	1.362 kg/m

U-Reinforcement steel	Thickness	Weight-kg/m
DS01045	1.25mm	0.796
DS01045	1.50mm	0.950
32x26	2.00mm	1.243



REBATE REVERSER PROFILE

7059 EU-B	1.088 kg/m
-----------	------------

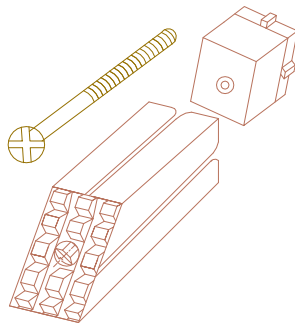
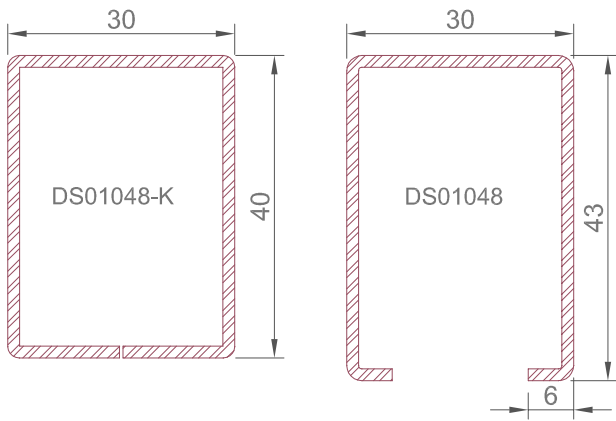
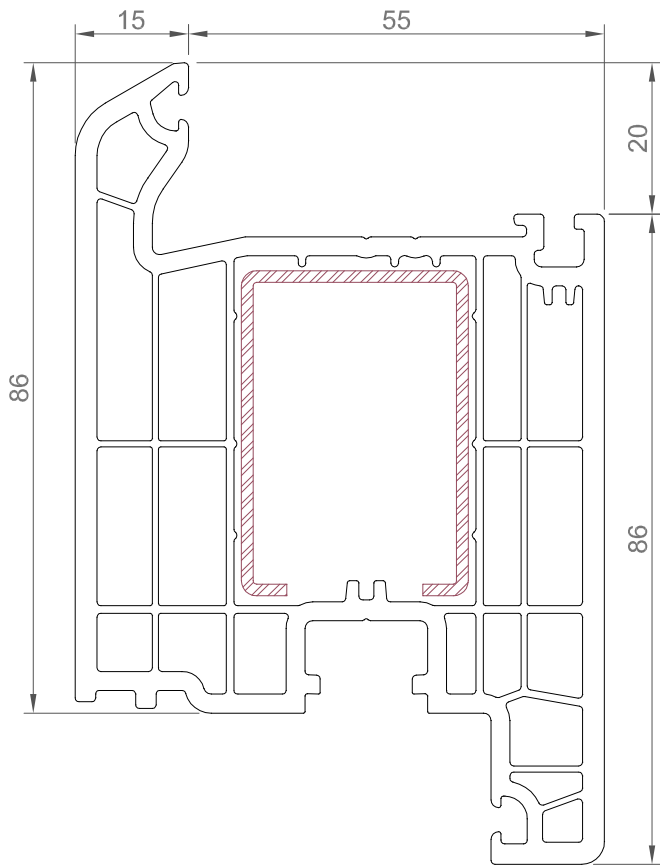


TECHNICAL CATALOG

INWARD OPENING DOOR SASH PROFILE

7057	1.953 kg/m
7057 EU-B	1.761 kg/m

U-Reinforcement steel	Thickness	Weight-kg/m
DS01048	1.25mm	1.200
30x43x6	1.50mm	1.430
	2.00mm	1.859
Box Reinforcement steel	Thickness	Weight-kg/m
DS01048-K	1.25mm	1.308
	1.50mm	1.547
30x40.5	2.00mm	2.039



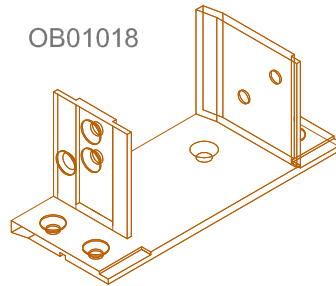
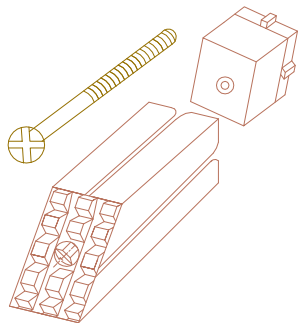
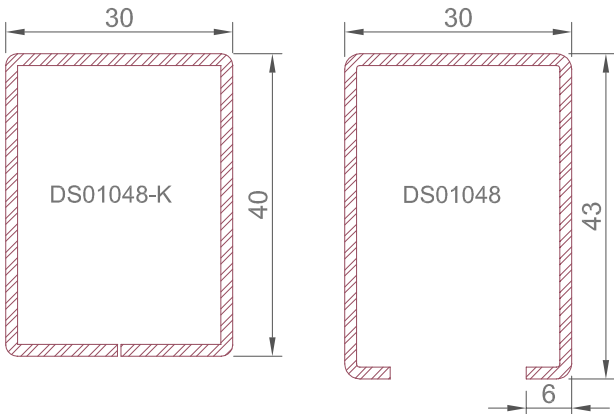
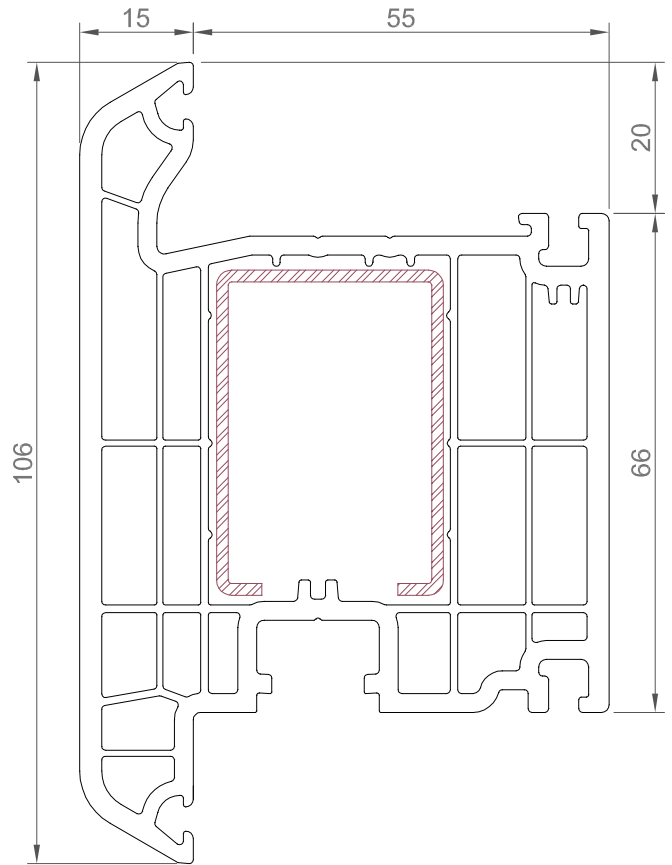
KT01004-26x39 DS01048
KT01005-26x36 DS01048-K

TECHNICAL CATALOG

OUTWARD OPENING DOOR SASH PROFILE

7058	1.933 kg/m
7058 EU-B	1.745 kg/m

	Thickness	Weight-kg/m
U-Reinforcement steel DS01048 30x43x6	1.25mm	1.200
	1.50mm	1.430
	2.00mm	1.859
Box Reinforcement steel DS01048-K 30x40	1.25mm	1.308
	1.50mm	1.547
	2.00mm	2.039



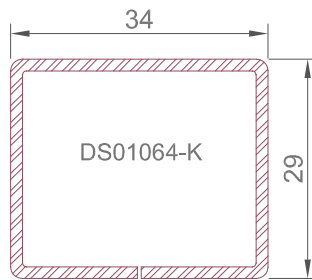
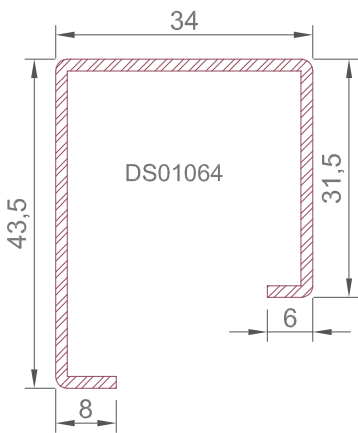
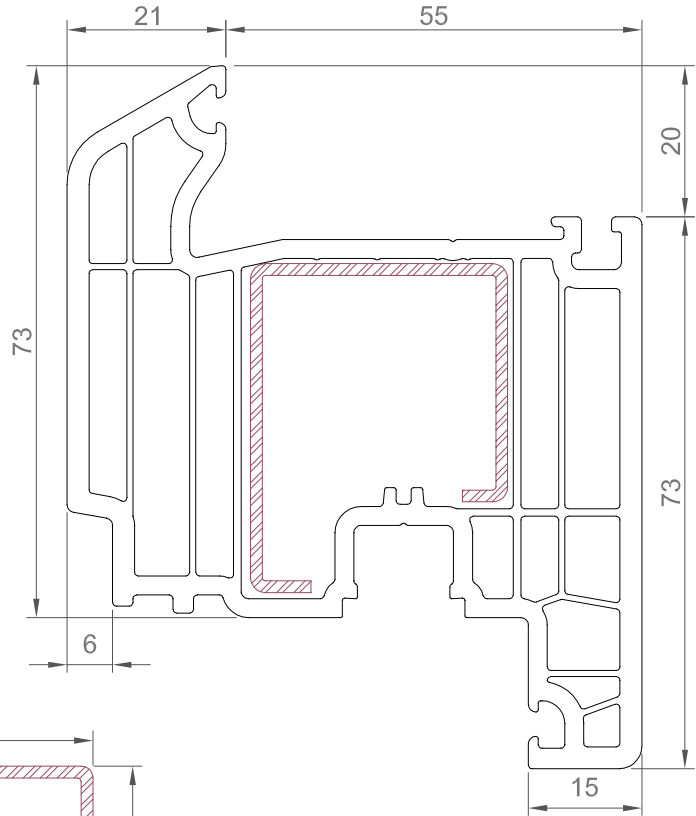
KT01004-26x39 DS01048
KT01005-26x36 DS01048-K

TECHNICAL CATALOG

FRENCH DROPPER DOOR SASH PROFILE

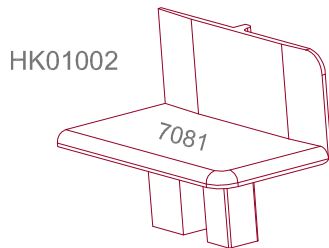
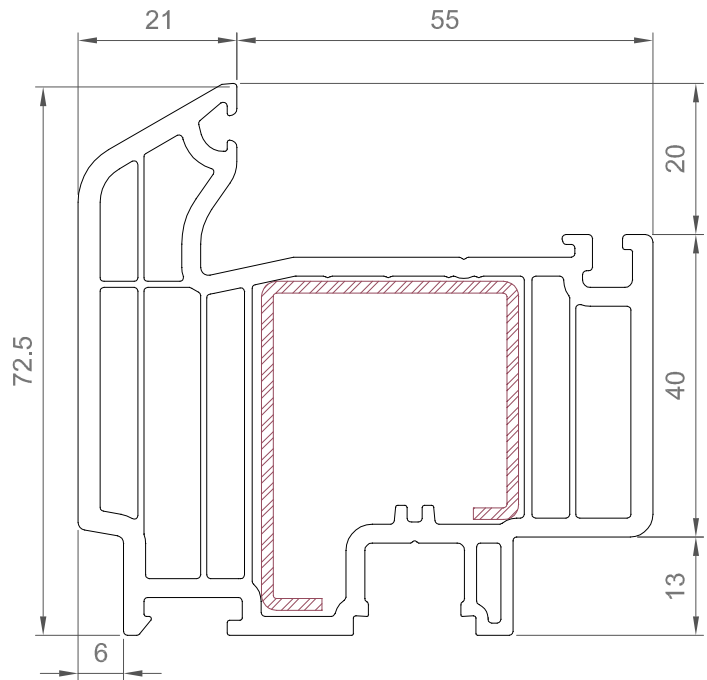
7080 EU-B 1.675 kg/m

Reinforcement steel	Thickness	Weight-kg/m
DS01064 34x31,5x43,5x8x6	1.25mm	1.141
	1.50mm	1.359
	2.00mm	1.765
Box Reinforcement steel	1.25mm	1.160
	1.50mm	1.370
	2.00mm	1.804



FRENCH ADAPTER DOOR SASH PROFILE

7081 EU-B 1.395 kg/m

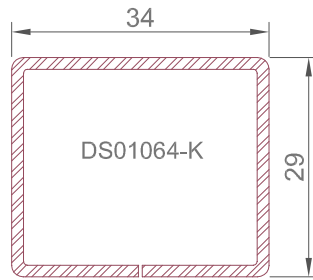
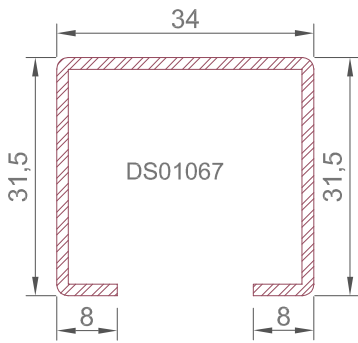
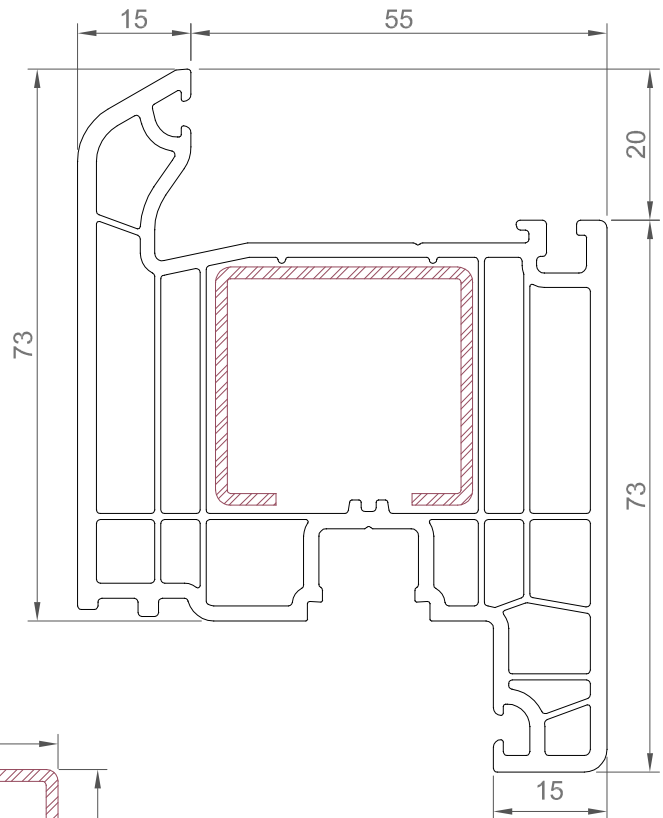


TECHNICAL CATALOG

FRENCH DOOR SASH PROFILE

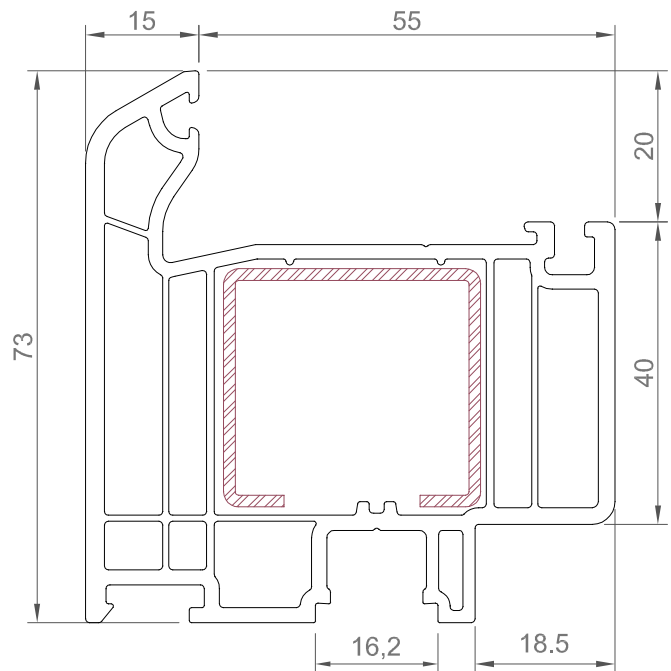
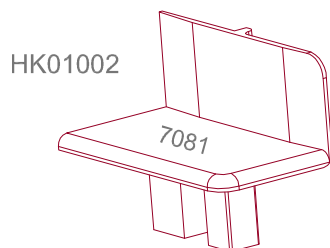
7084 ECO 1.438 kg/m

Reinforcement steel	Thickness	Weight-kg/m
DS01067 34x31,5x8	1.25mm	1.053
	1.50mm	1.253
	2.00mm	1.623
Box Reinforcement steel	1.25mm	1.160
	1.50mm	1.370
	2.00mm	1.804



FRENCH ADAPTER DOOR SASH PROFILE

7085 ECO 1.234 kg/m



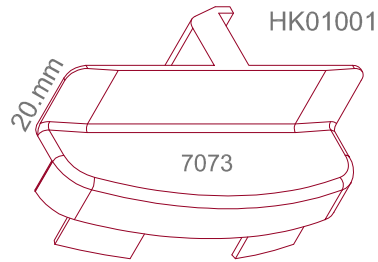
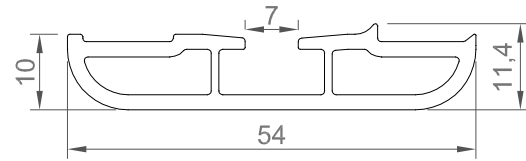
TECHNICAL CATALOG

HK01001



INSIDE SASH COVER

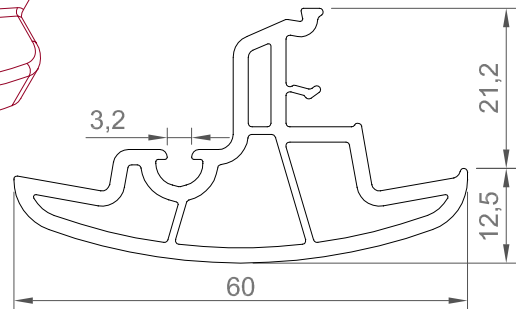
7072 0.326 kg / m



HK01001

OUTSIDE SASH COVER

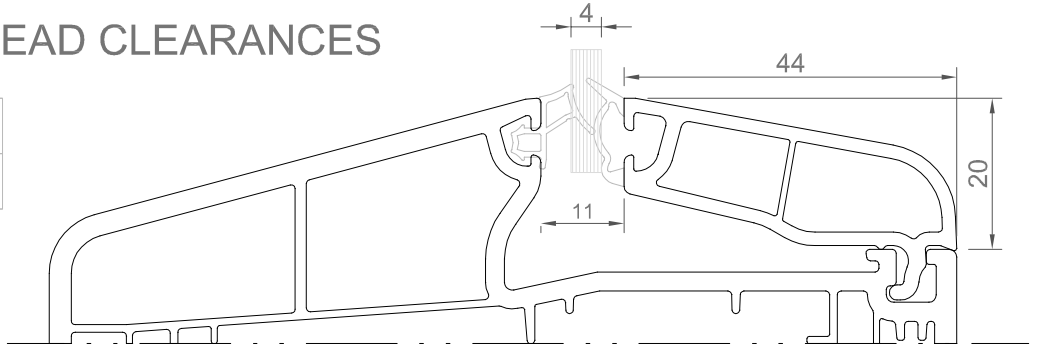
7073 0.546 kg / m



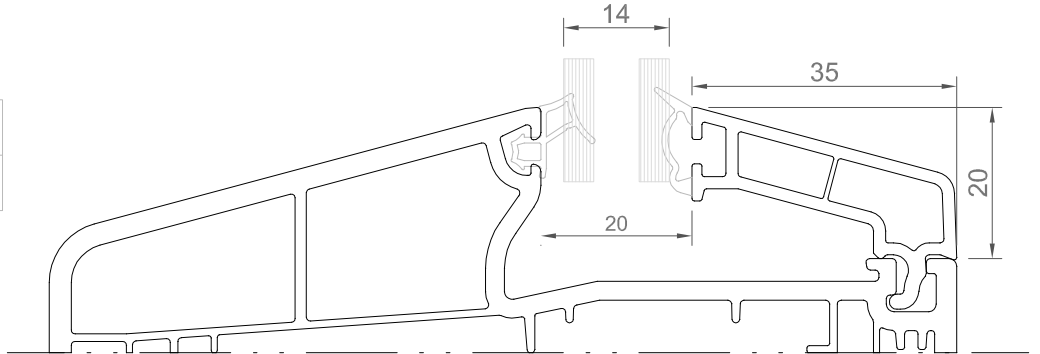
TECHNICAL CATALOG

GLAZING BEAD CLEARANCES

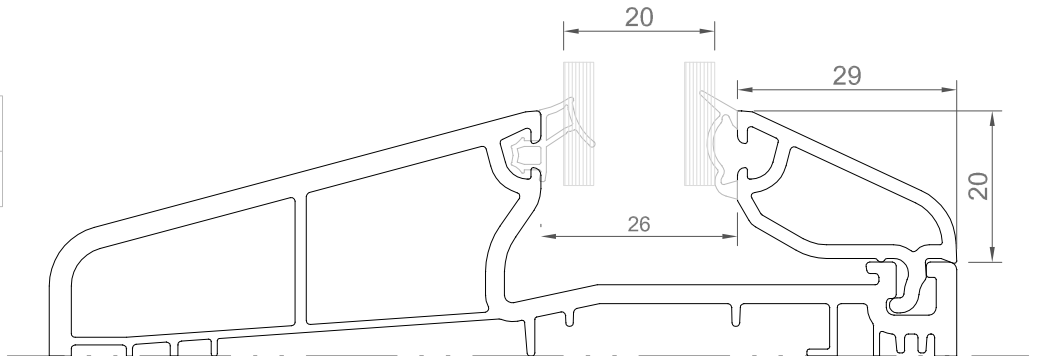
SINGLE GLAZING BEAD - 4mm	
7074	$0.328+0.027=0.355$ kg/m



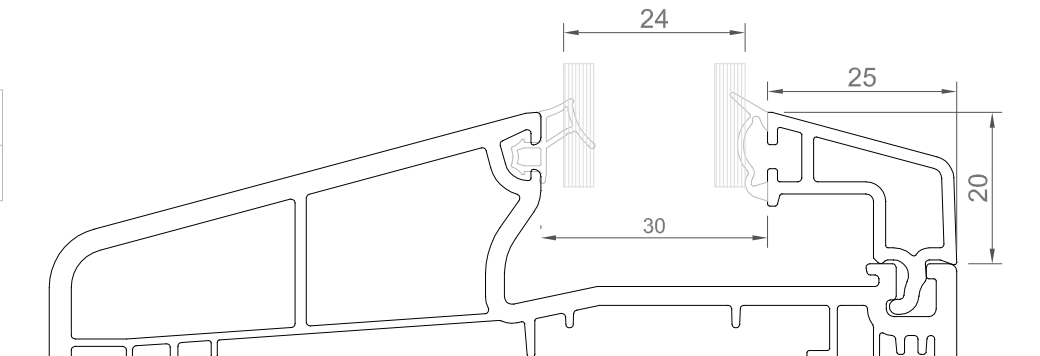
DOUBLE GLAZING BEAD - 14mm	
6306	$0.243+0.027=0.270$ kg/m



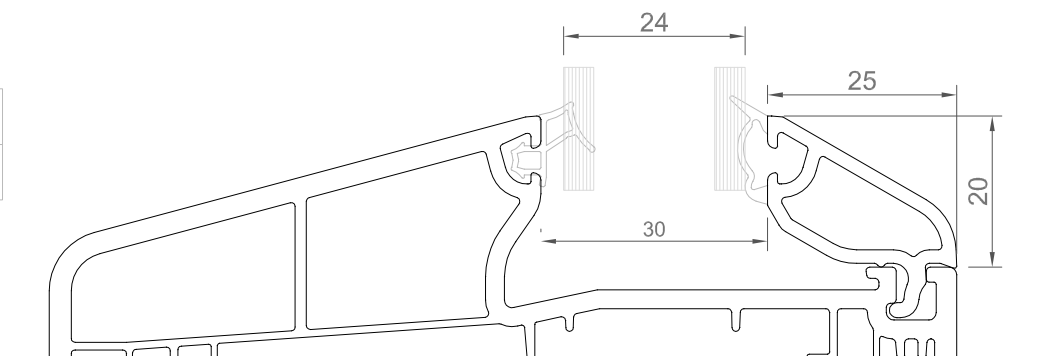
DOUBLE GLAZING BEAD - 20mm	
7088	$0.231+0.027=0.258$ kg/m



DOUBLE GLAZING BEAD - 24mm	
7094	$0.210+0.027=0.237$ kg/m

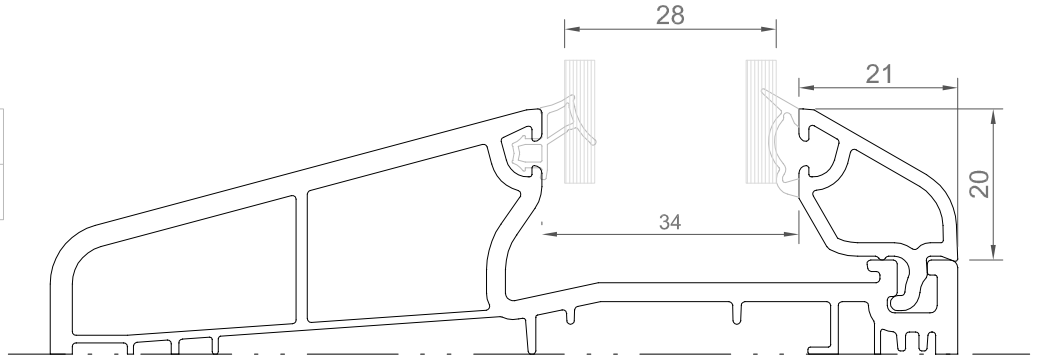


DOUBLE GLAZING BEAD - 24mm	
7062	$0.210+0.027=0.237$ kg/m

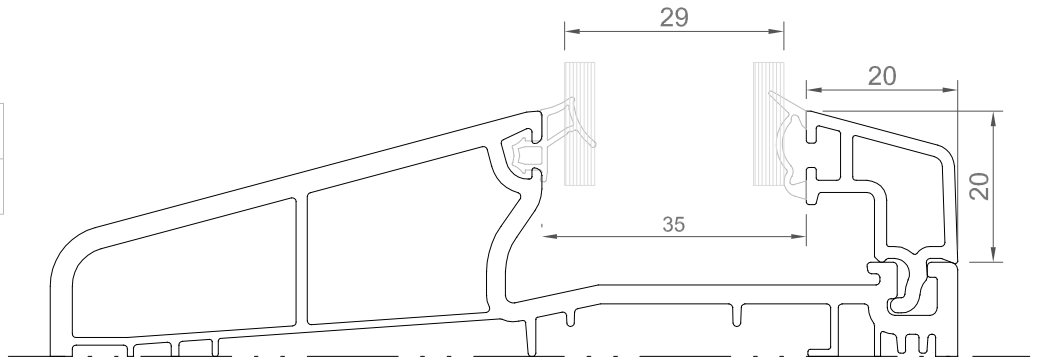


TECHNICAL CATALOG

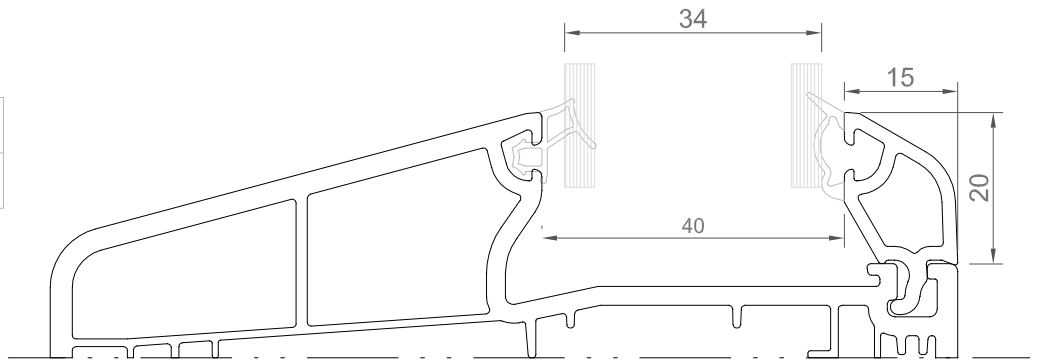
DOUBLE GLAZING BEAD - 28mm	
7064	$0.196+0.027=0.223$ kg/m



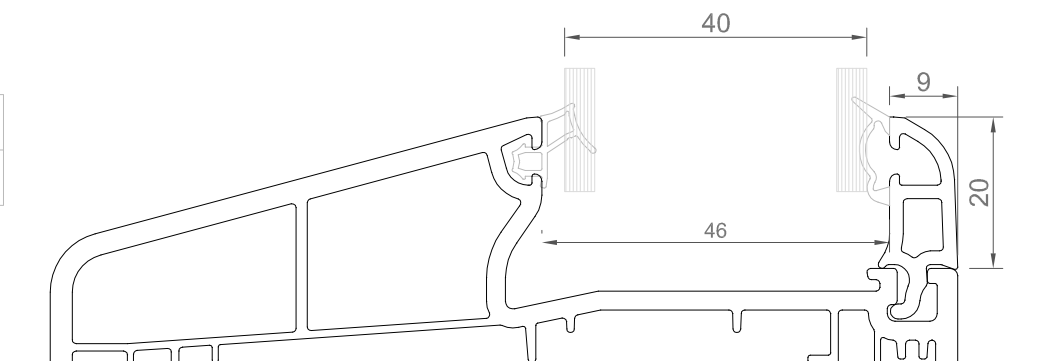
DOUBLE GLAZING BEAD - 29mm	
6307	$0.185+0.027=0.212$ kg/m



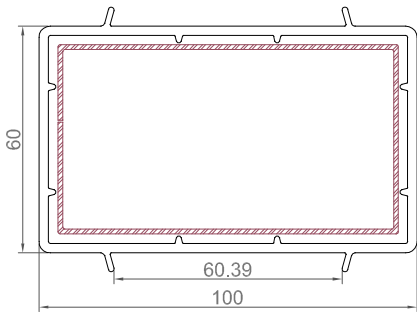
TRIPLE GLAZING BEAD - 34mm	
7063	$0.172+0.027=0.199$ kg/m



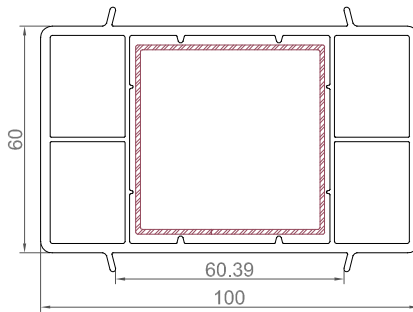
TRIPLE GLAZING BEAD - 40mm	
7464	$0.151+0.027=0.178$ kg/m



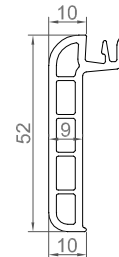
AUXILIARY PROFILES



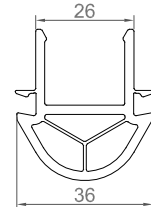
60x100 BOX PROFILE
6052 0.986 kg/m



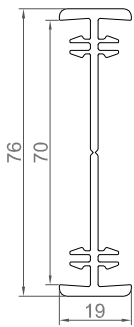
60x100 CHAMBER BOX PROFILE
6051 1.148 kg/m



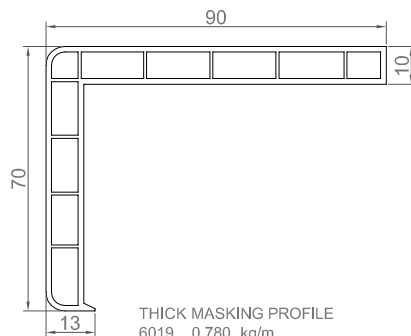
MASKING PROFILE
7274 0.401 kg/m



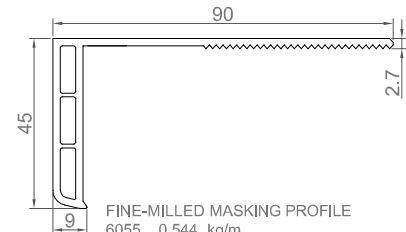
GRIYAJ CONNECTION
7258 0.491 kg/m



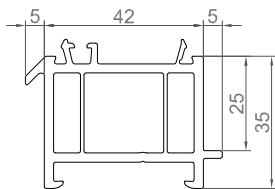
NARROW CONNECTION PROFILE
7275 0.431 kg/m



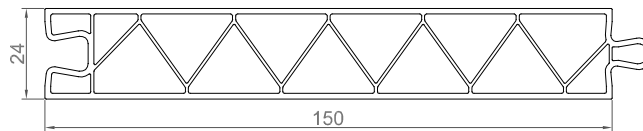
THICK MASKING PROFILE
6019 0.780 kg/m



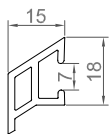
FINE-MILLED MASKING PROFILE
6055 0.544 kg/m



FRAME EXTENSION
7257 0.658 kg/m



PANEL PROFILE "150x24mm - 7251 1.135 kg/m

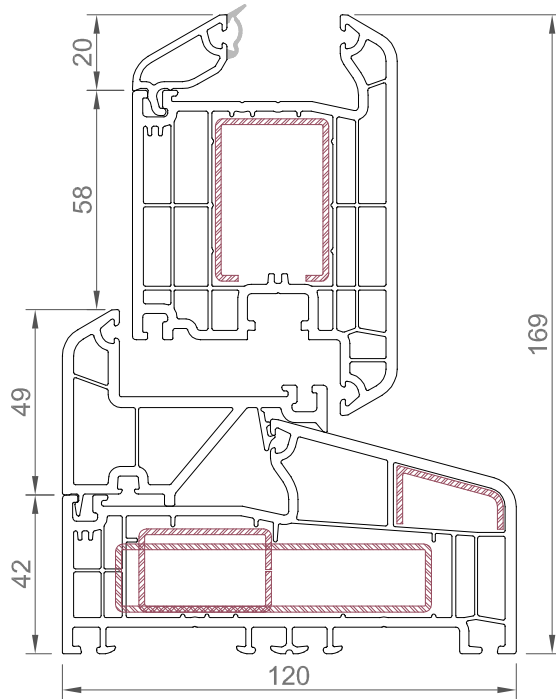
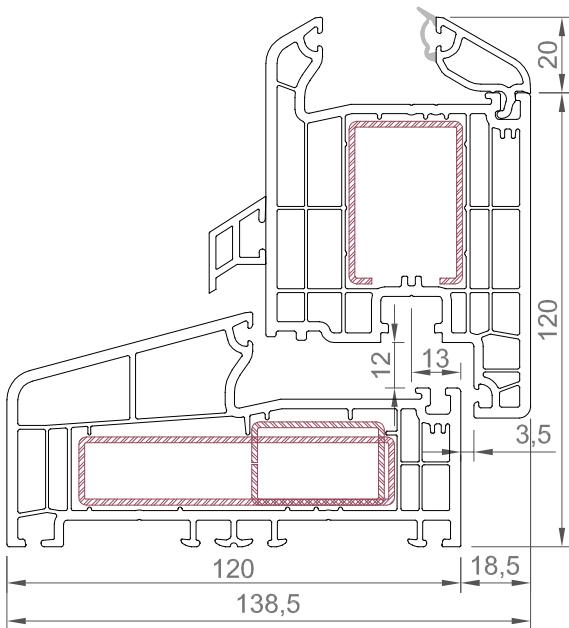
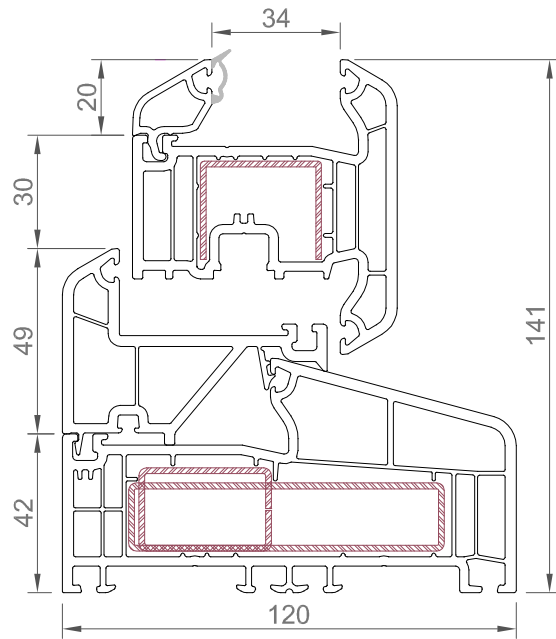
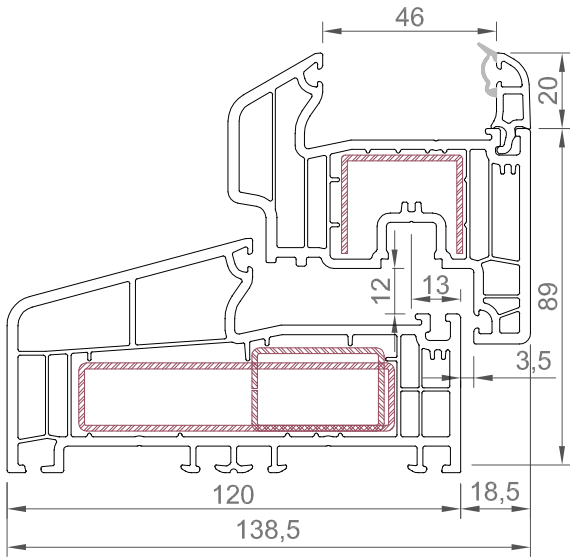


DROPPER PROFILE
7277 0.159 kg/m

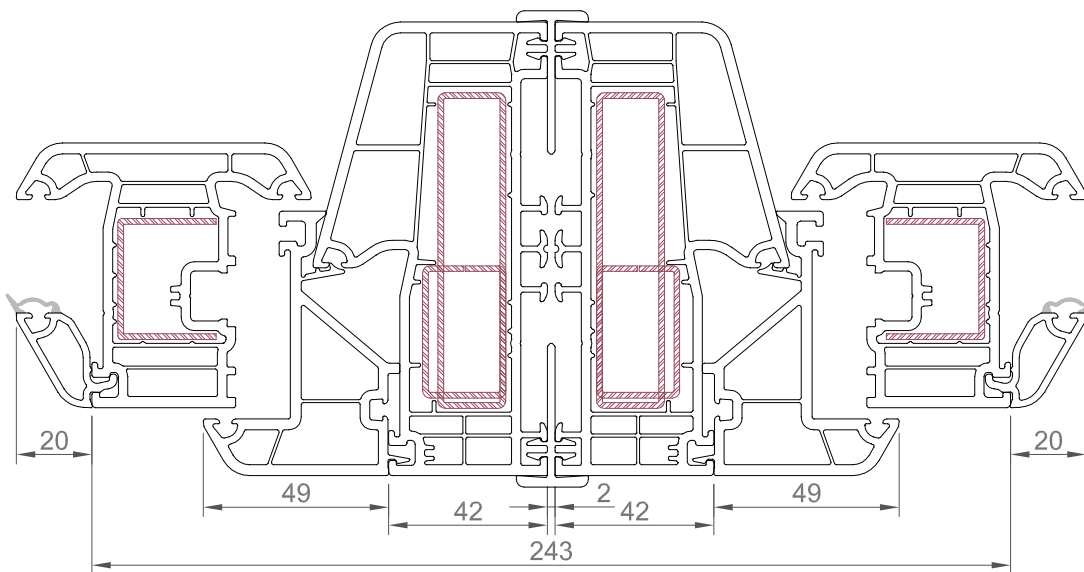
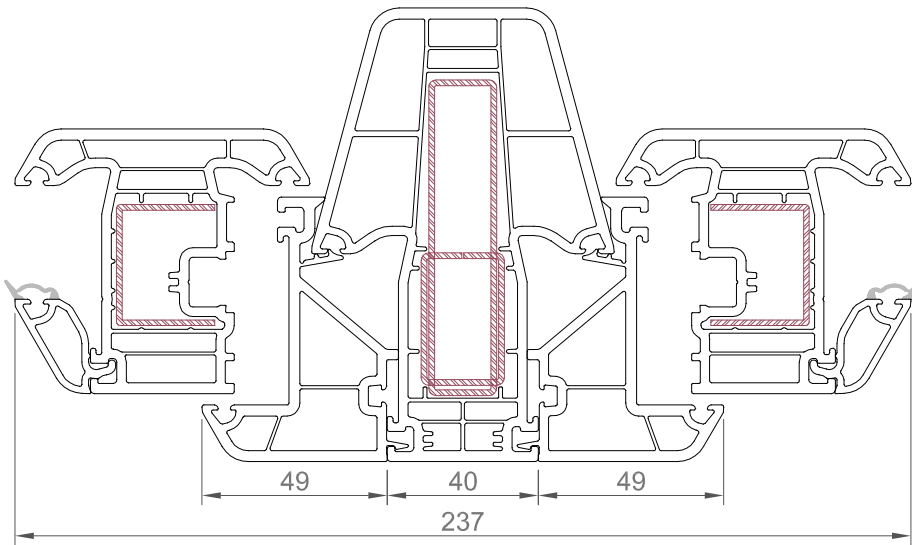
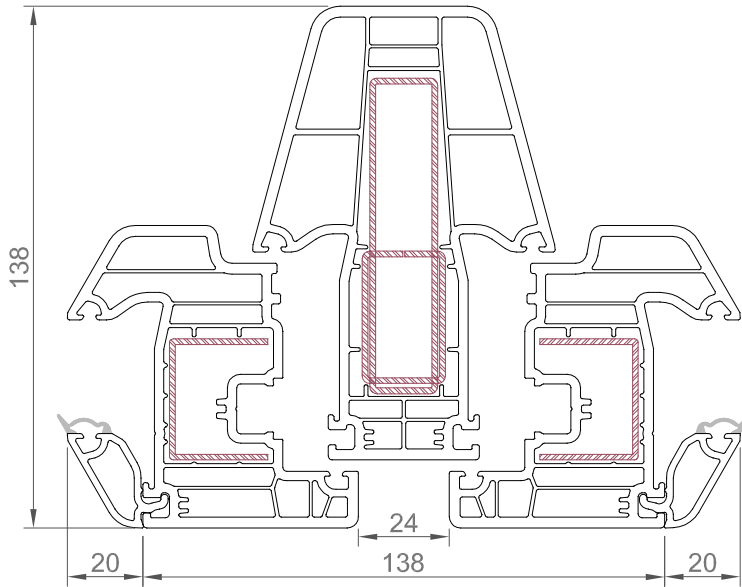


SIDE COVER
7277-K

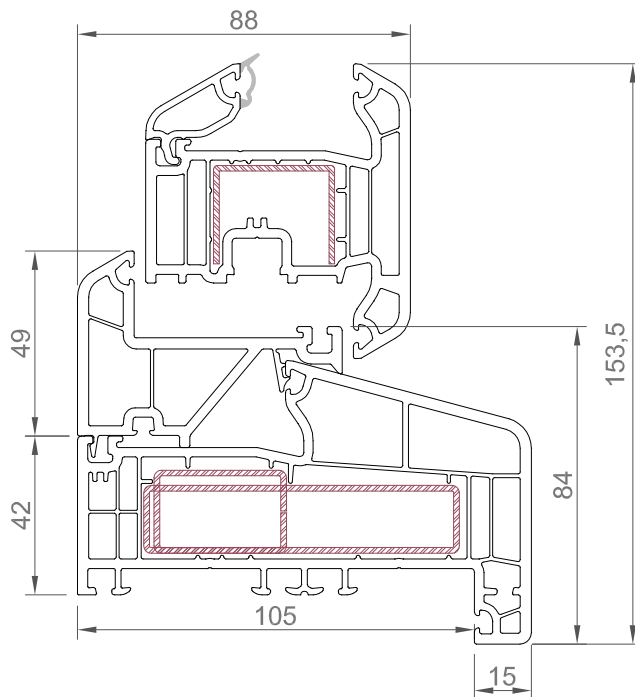
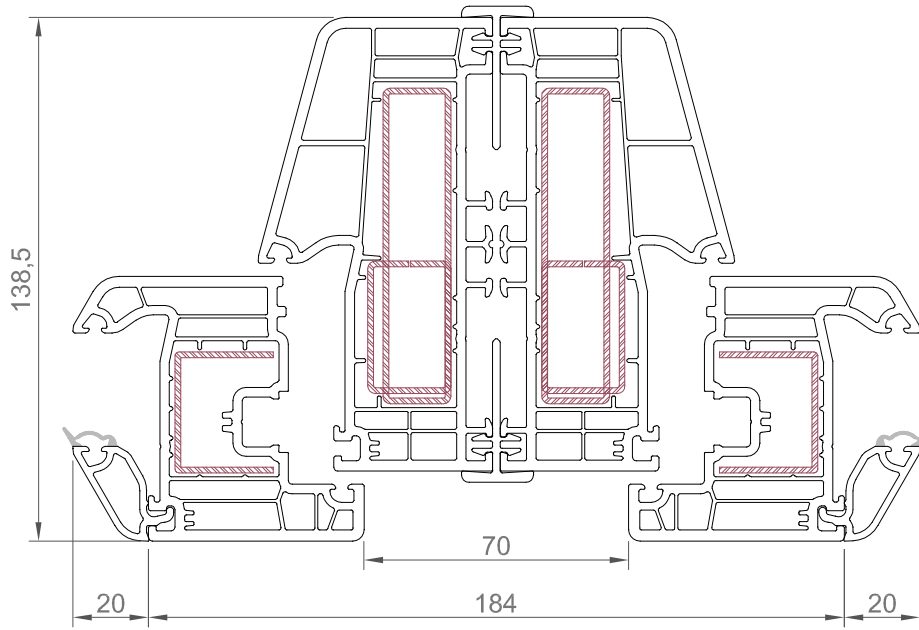
SCALED APPLICATION DETAILS



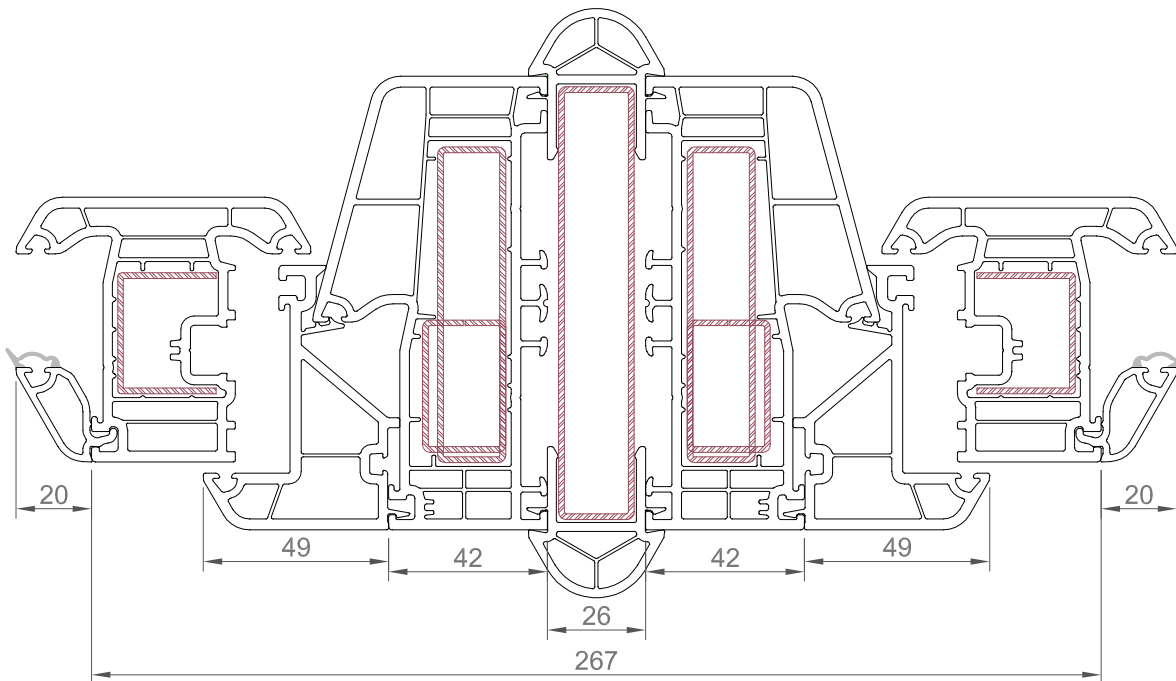
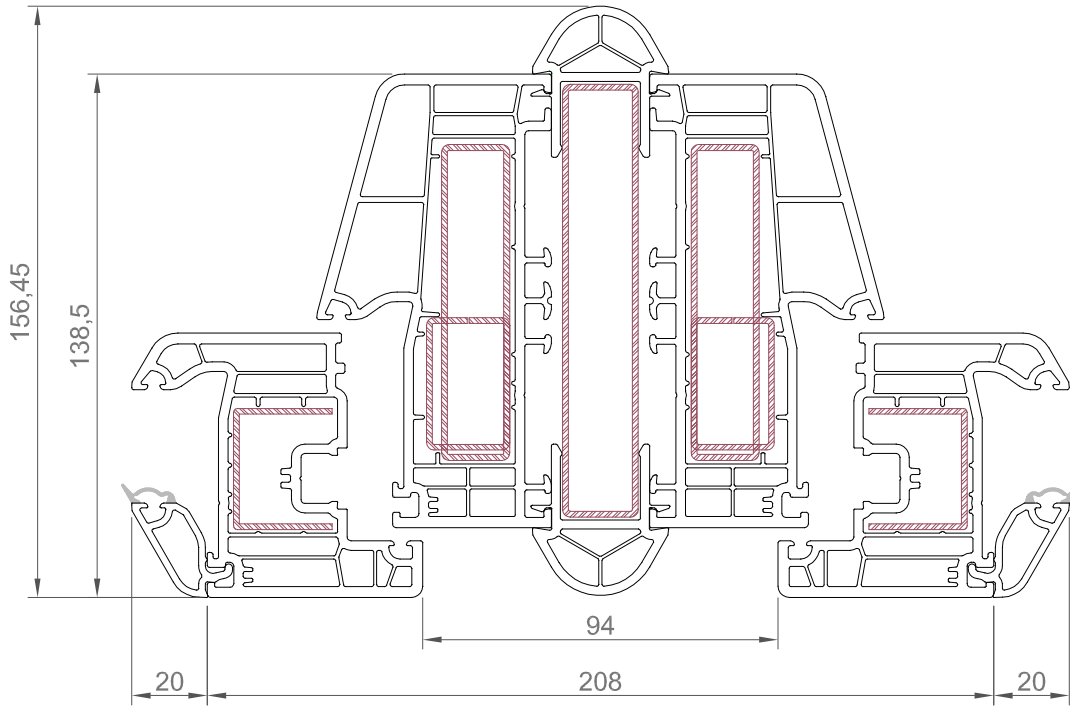
TECHNICAL CATALOG



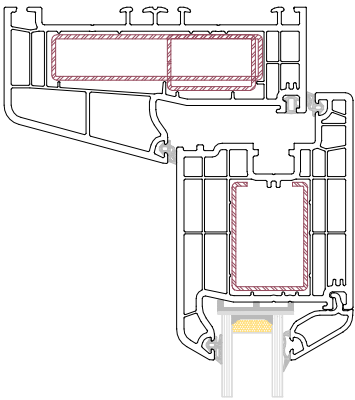
TECHNICAL CATALOG



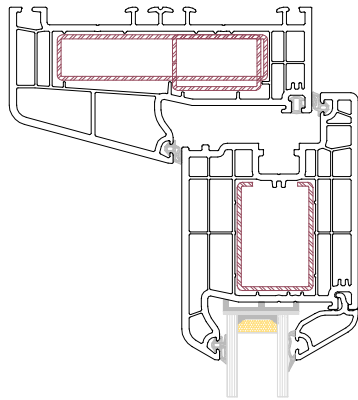
TECHNICAL CATALOG



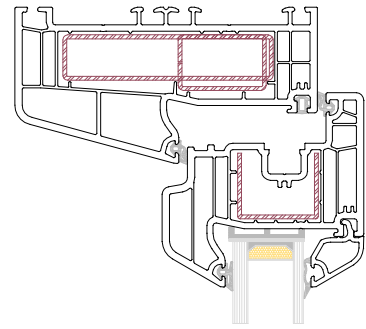
TECHNICAL CATALOG



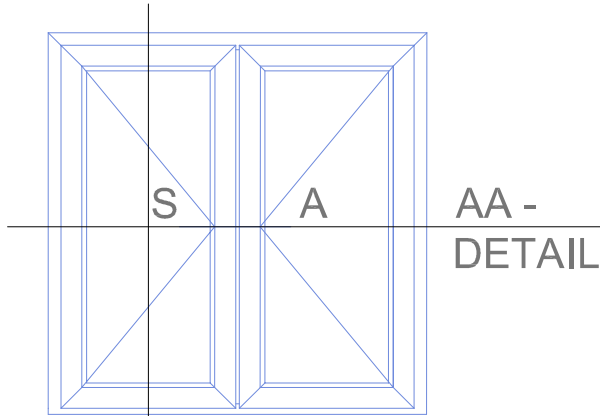
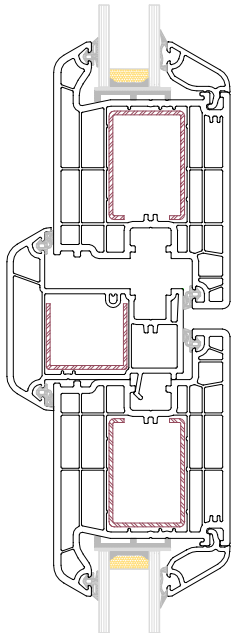
AA -
DETAIL



BB -
DETAIL

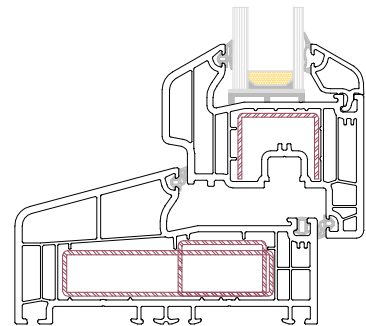
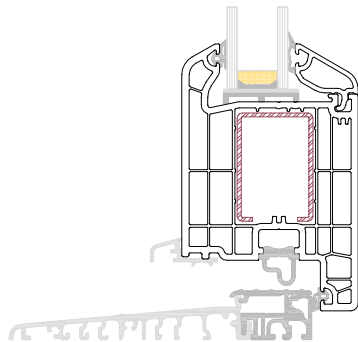
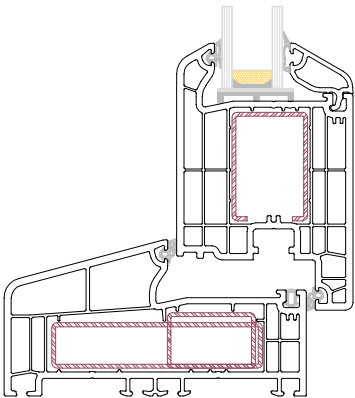
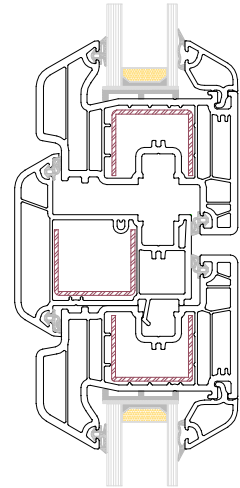


AA -
DETAIL

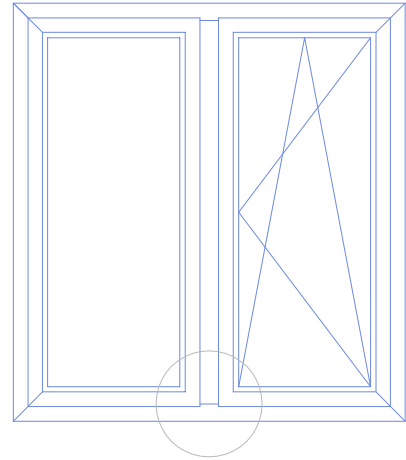
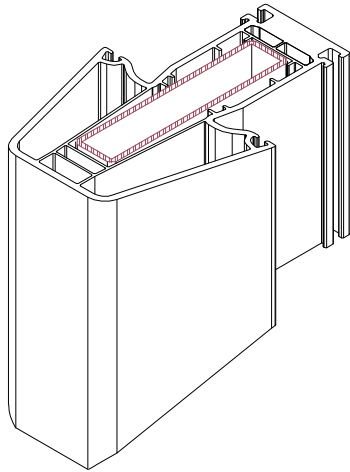


AA -
DETAIL

BB -
DETAIL



TECHNICAL CATALOG



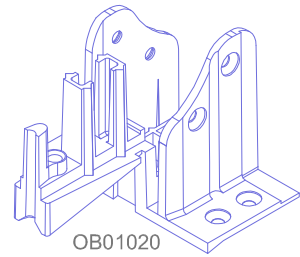
3.9X19 YHB

3.9X19 YHB

3.9X19 YHB

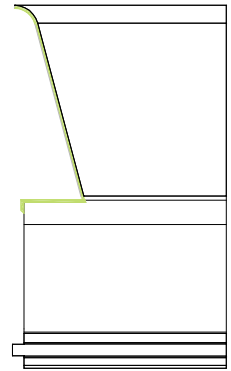
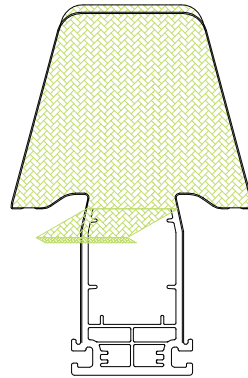
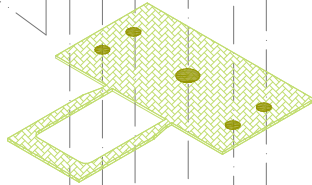
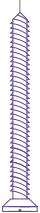
1253-11

3.9X19 YHB

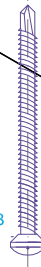


OB01020

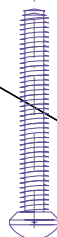
4.8x60 YHB



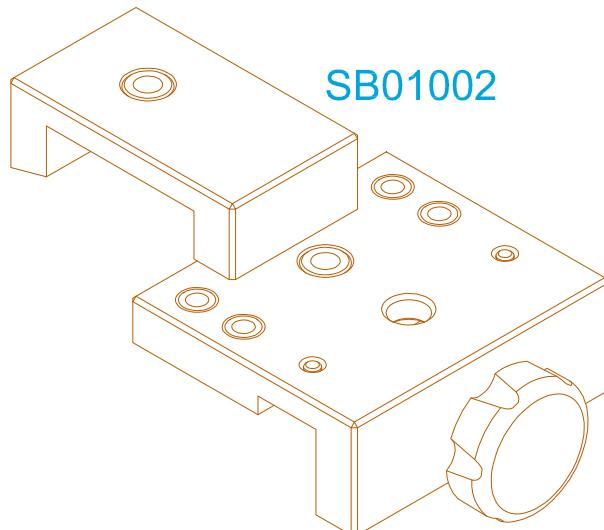
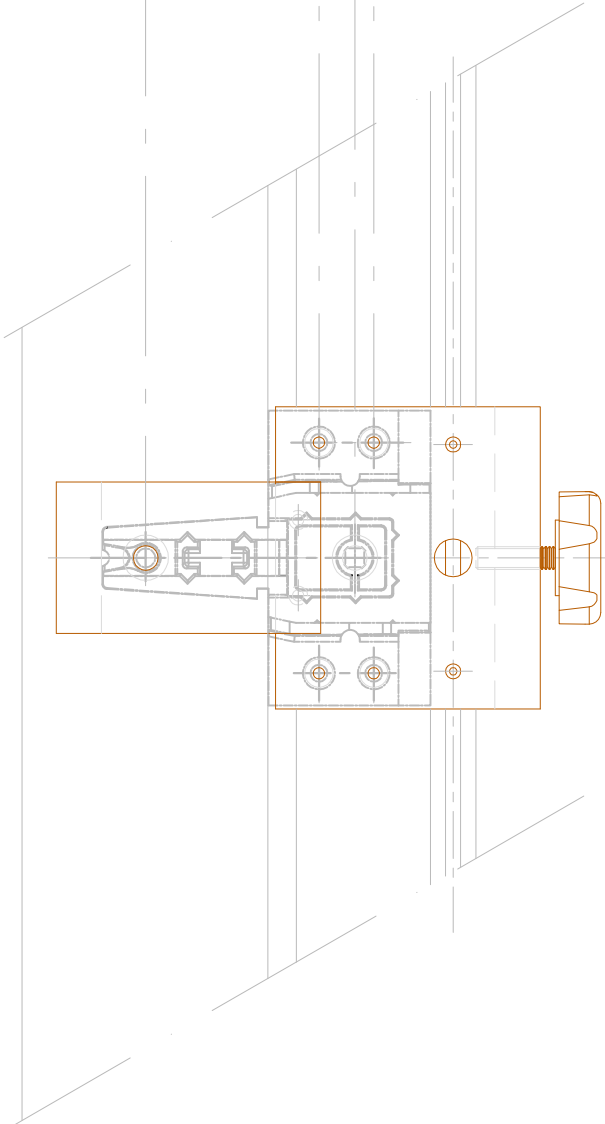
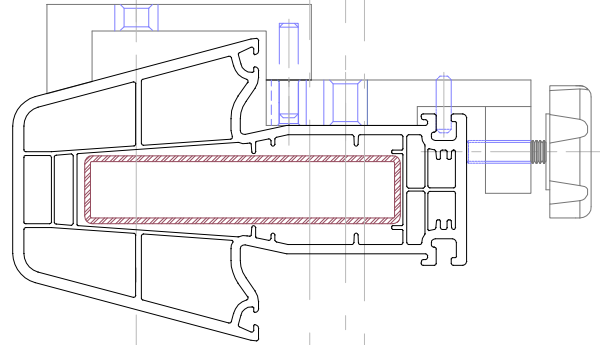
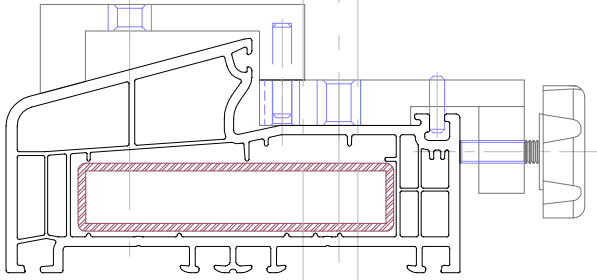
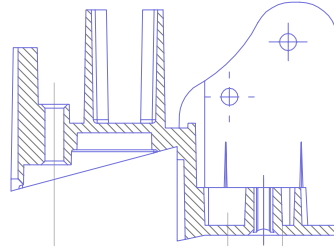
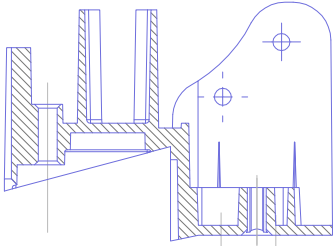
6.2x80 YSB



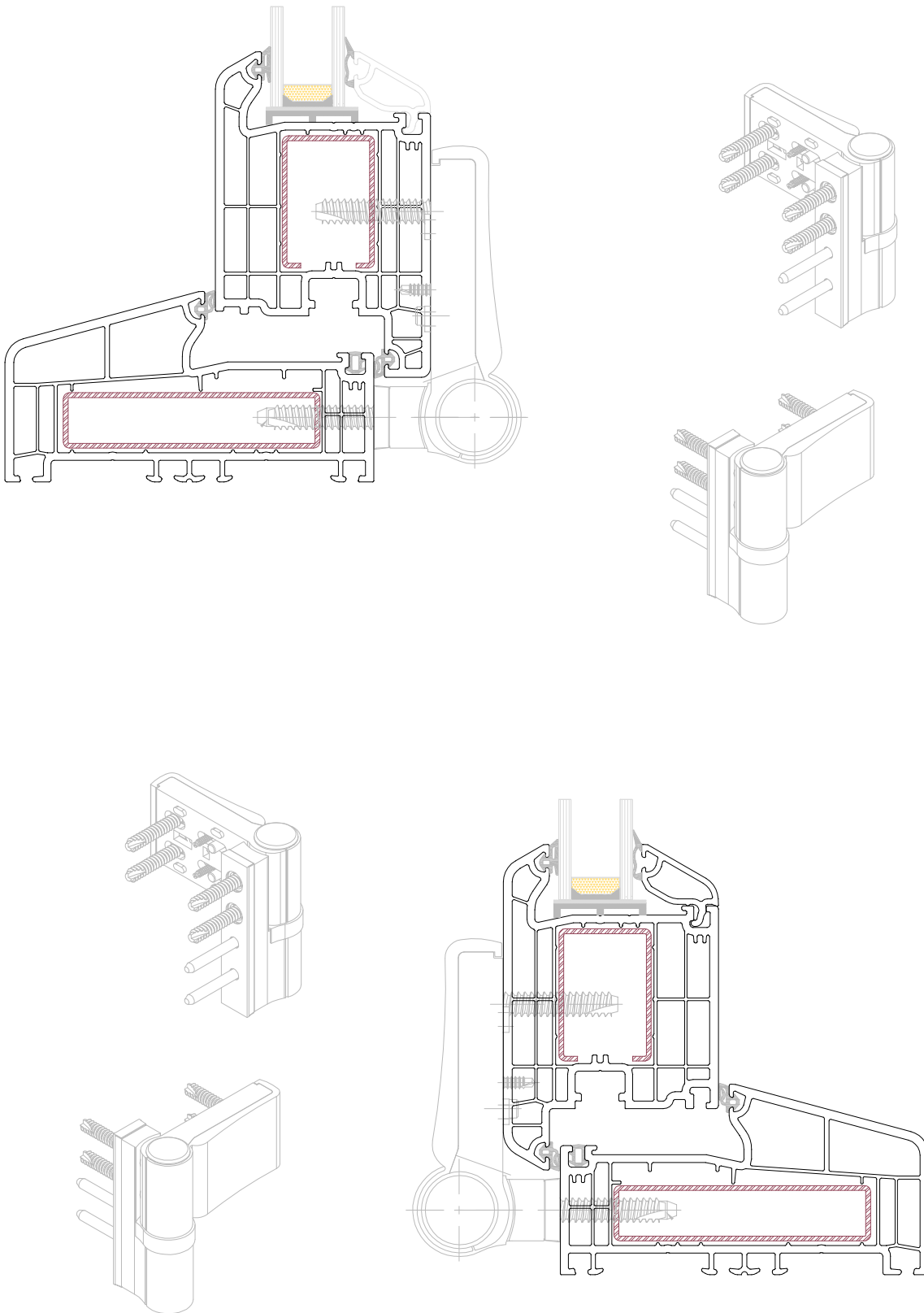
M6X60 YSB



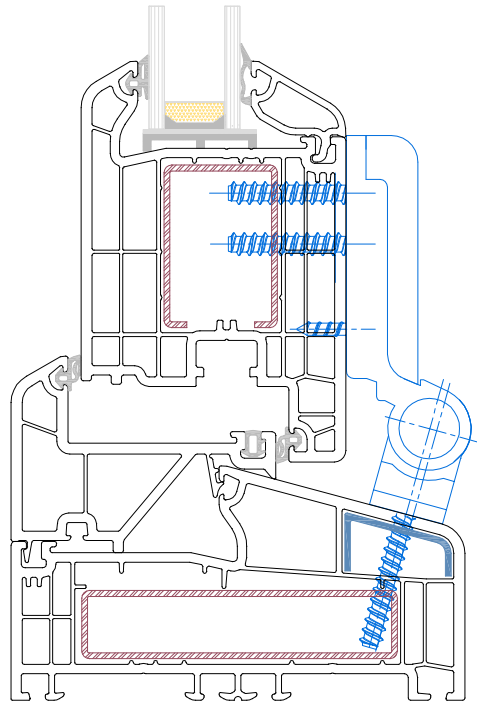
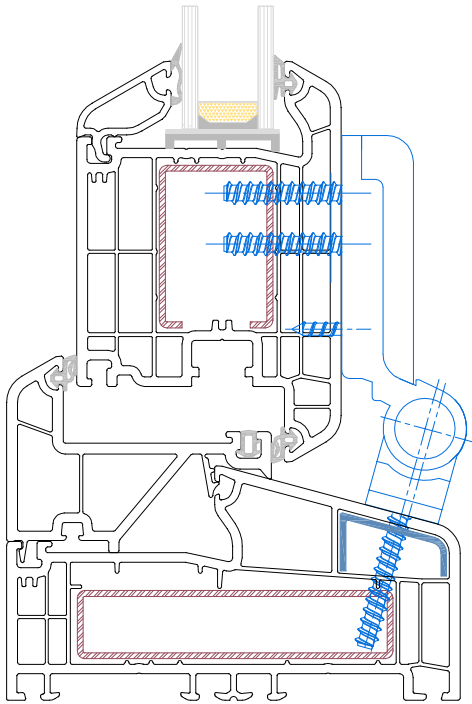
TECHNICAL CATALOG



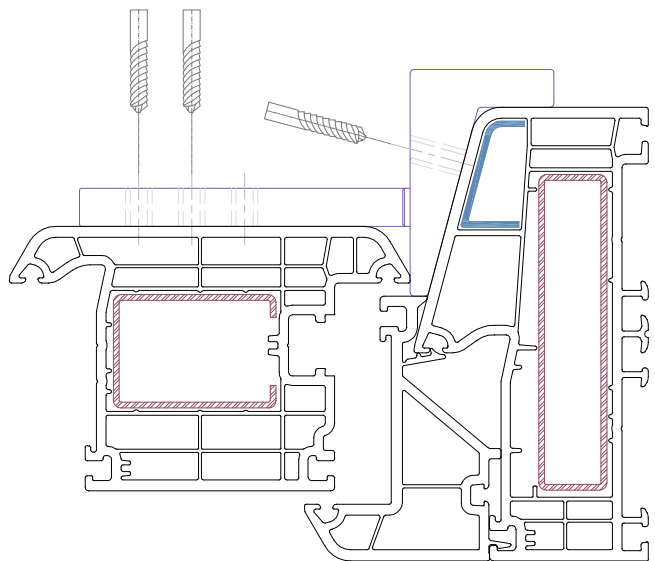
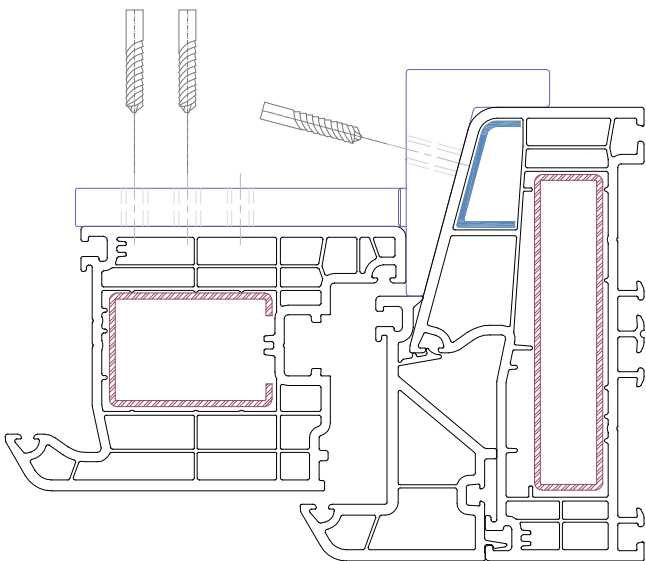
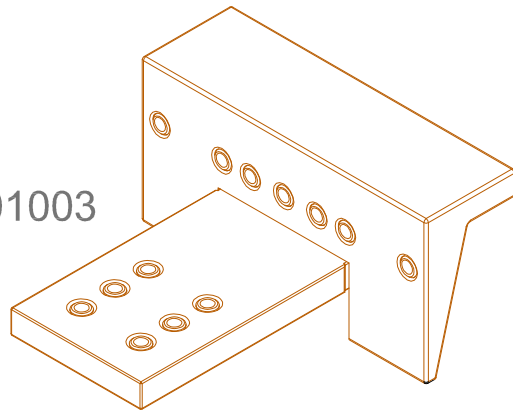
TECHNICAL CATALOG



TECHNICAL CATALOG



SB01003



TECHNICAL CATALOG

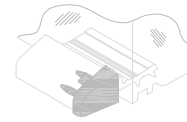
ALUM. DRAINER FOR DOOR SASH

- 05DA01209 - Anodised
- 05DA01213 - RAL 9016
- 05DA01214 - Dark brown

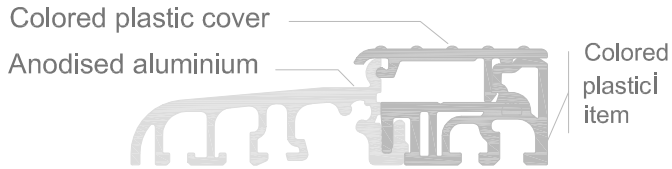


ALUM. DRAINER CAPS.

- 05DA01217 -White caps
- 05DA01218 -Grey caps
- 05DA01219 -Dark brown caps



70-80-1200mm ISOLATED ALUM. THRESHOLD

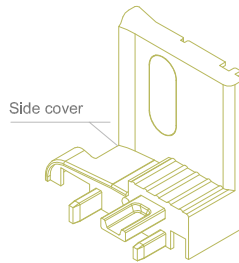


Colored plastic item

- 05DA01207 - Alm. threshold with black cap
- 05DA01208 - Alm. threshold with grey cap
- 05DA01211 - Alm. threshold with white cap

ISOLATED ALUMINIUM THRESHOLD (WITH GEAR SECURITY STRIKER CANAL)

- 05DA01220 - Alum. threshold with grey cap
- 05DA01222 Security striker



THRESHOLD CAPS-LEFT&RIGHT

- EK010051-1251-L&R-White
- EK010051R-1251-L&R-Coloured

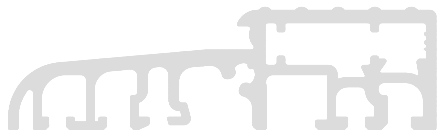
THRESHOLD SEALING GASKET



- 05DA01210 - 16/12mm
- 05DA01215 - 16/10mm

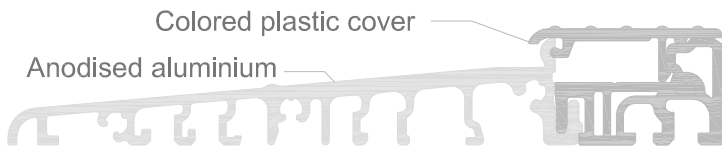


ENODISED ALUMINIUM THRESHOLD



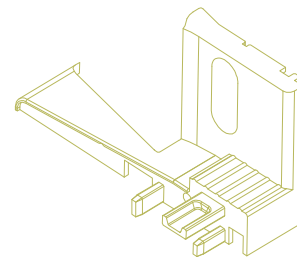
- AB01015-E Anodised aluminium threshold
- AB01015-R Anodised aluminium threshold black

1200mm ISOLATED ALUM. THRESHOLD



Colored plastic item

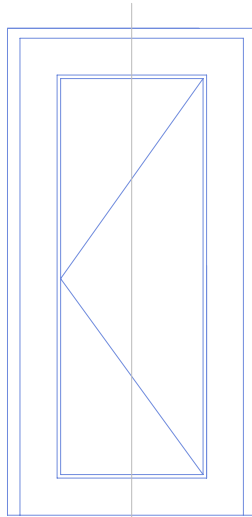
05DA01221 - 120mm ALUMINIUM THRESHOLD



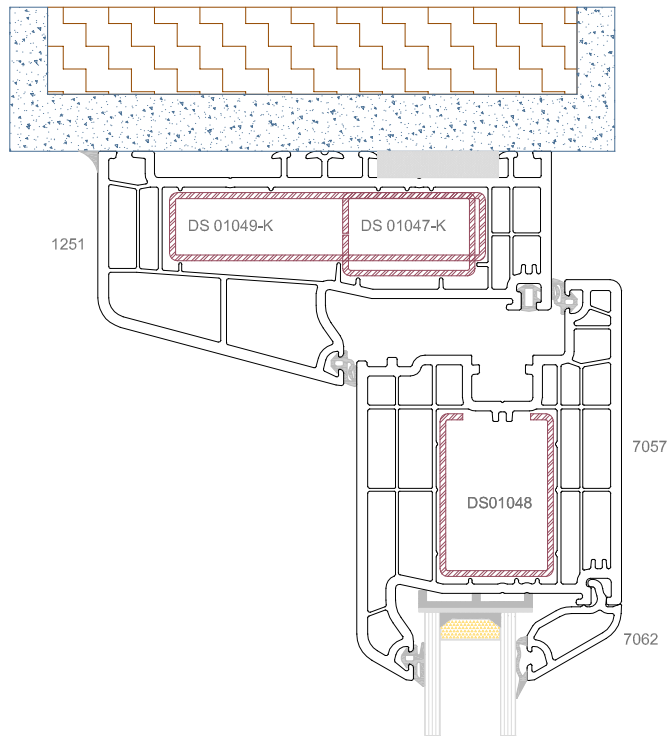
THRESHOLD CAPS-LEFT&RIGHT

- EK01006-1251&1252-L&R-White
- EK01006R-1251&1252-L&R-Coloured

TECHNICAL CATALOG

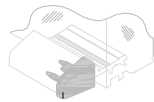


**AA -
DETAIL**



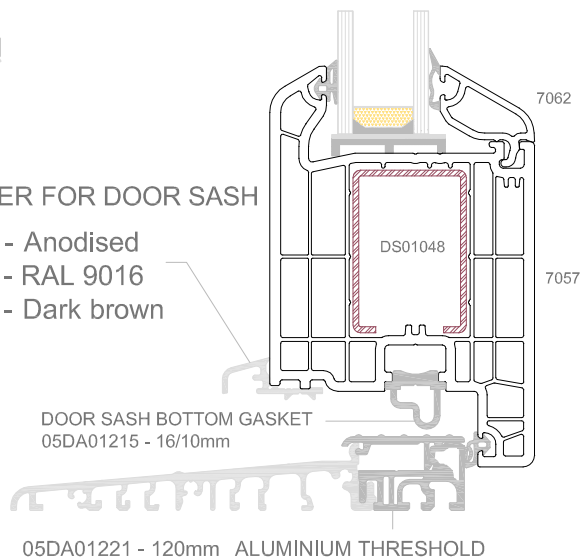
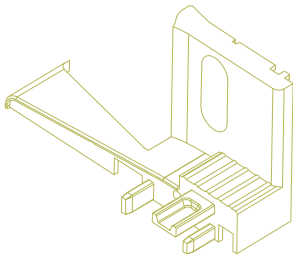
**AA -
DETAIL**

ALUM. DRAINER CAPS.
05DA01217 -White caps
05DA01218 -Grey caps
05DA01219 -Dark brown caps



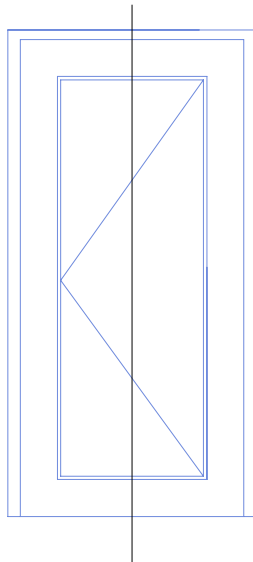
ALUM. DRAINER FOR DOOR SASH

05DA01209 - Anodised
05DA01213 - RAL 9016
05DA01214 - Dark brown

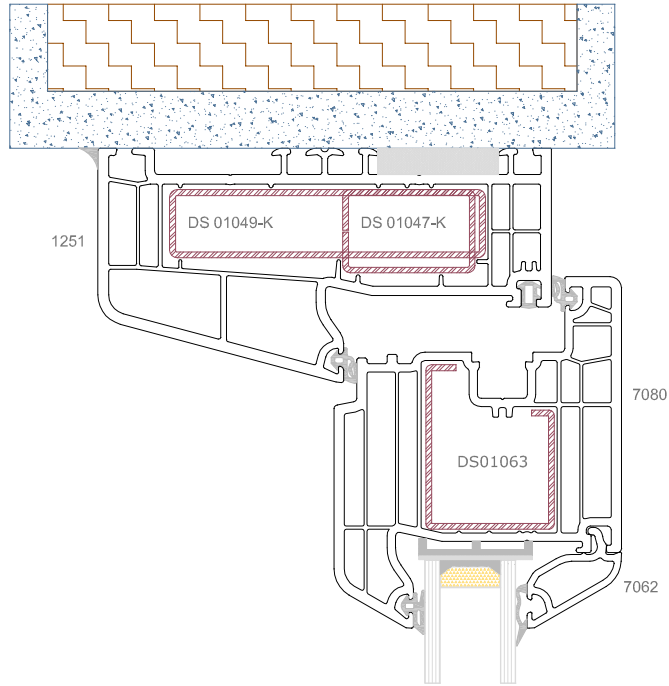


THRESHOLD CAPS-LEFT&RIGHT
EK01006-1251&1252-L&R-White
EK01006R-1251&1252-L&R-Coloured

TECHNICAL CATALOG



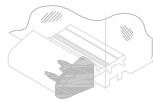
AA -
DETAIL



AA -
DETAIL

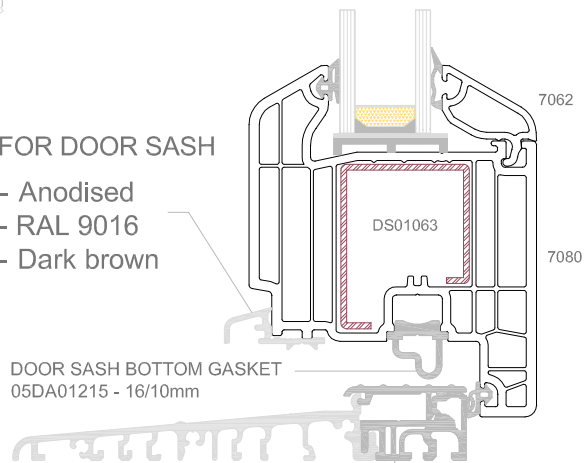
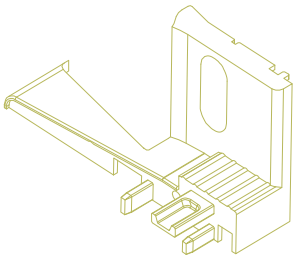
ALUM. DRAINER CAPS.

- 05DA01217 -White caps
- 05DA01218 -Grey caps
- 05DA01219 -Dark brown caps



ALUM. DRAINER FOR DOOR SASH

- 05DA01209 - Anodised
- 05DA01213 - RAL 9016
- 05DA01214 - Dark brown



05DA01221 - 120mm ALUMINIUM THRESHOLD

THRESHOLD CAPS-LEFT&RIGHT

- EK01006-1251&1252-L&R- White
- EK01006R-1251&1252-L&R- Coloured