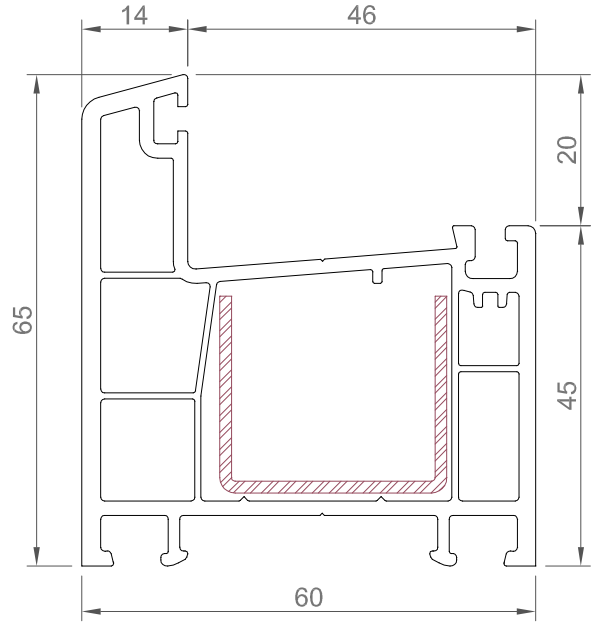


# TECHNICAL CATALOG

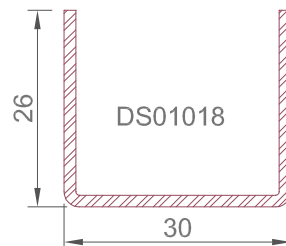
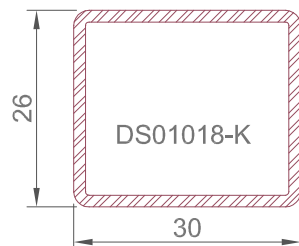
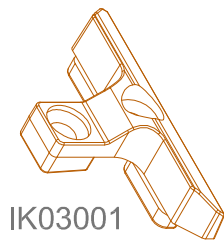
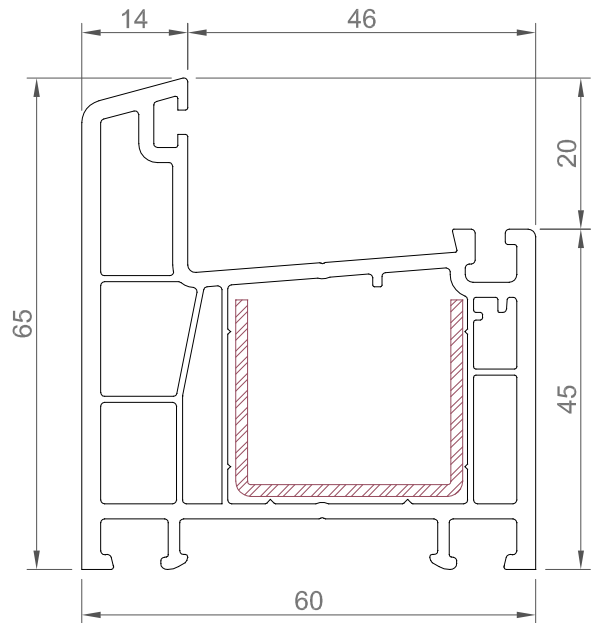
# PLATINUM 6003-6005

**TECHNICAL CATALOG**

3 CHAMBERED FRAME PROFILE		
6301 ECO	0.956 kg/m	
U-Reinforcement steel	Thickness	Weight-kg/m
DS01018	1.25mm	0.774
30x26	1.50mm	0.918
	2.00mm	1.212
Box Reinforcement steel	Thickness	Weight-kg/m
DS01018-K	1.50mm	1.217
30x26	2.00mm	1.600

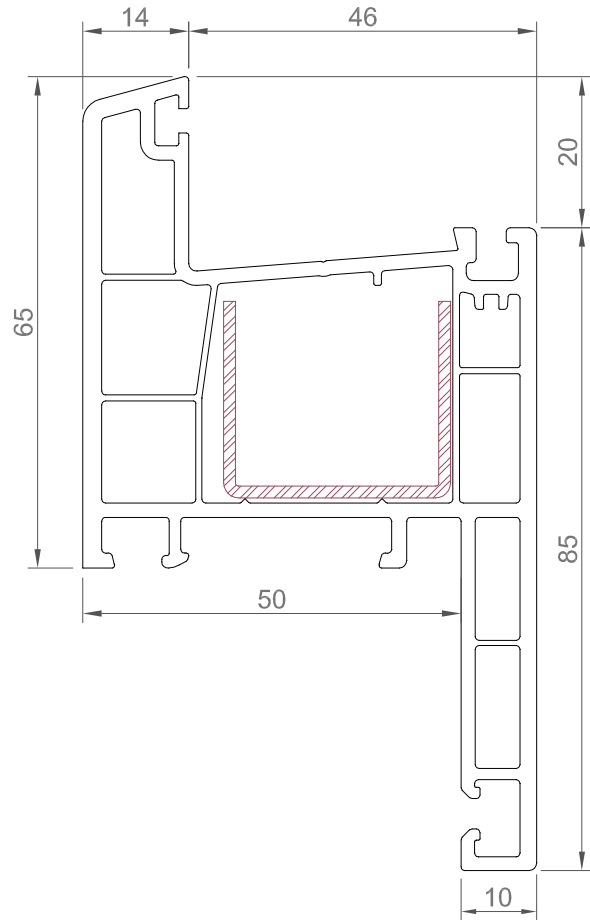


4 CHAMBERED FRAME PROFILE	
6401 EU-B	1.012 kg/m

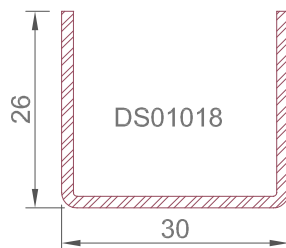
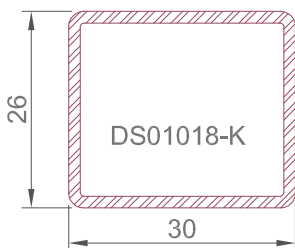
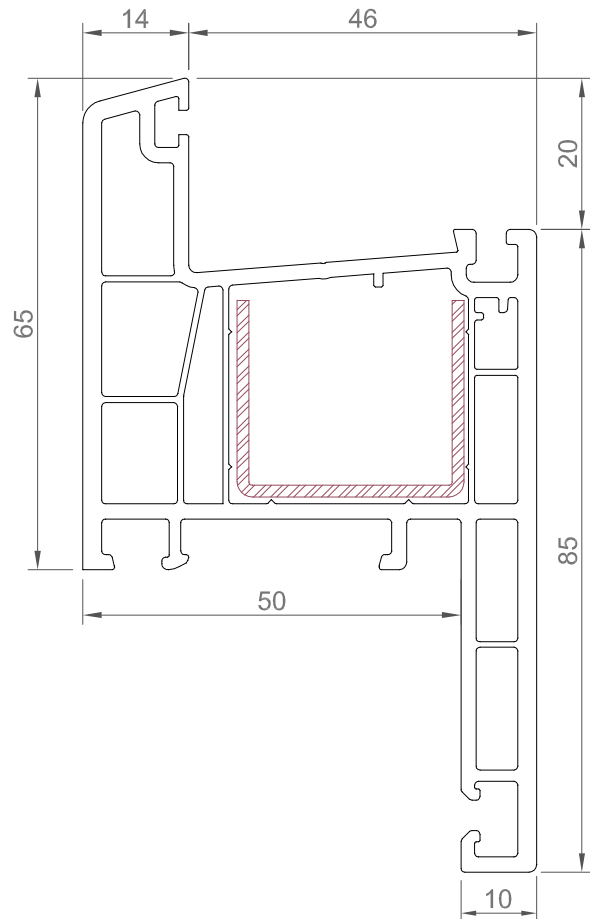
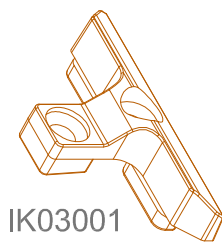


TECHNICAL CATALOG

3 CHEMBERED RENOVATION FRAME PRF.		
6305 ECO	1.235 kg/m	
U-Reinforcement steel	Thickness	Weight-kg/m
DS01018	1.25mm	0.774
30x26	1.50mm	0.918
	2.00mm	1.212
Box Reinforcement steel	1.25mm	1.033
DS01018-K	1.50mm	1.217
30x26	2.00mm	1.600

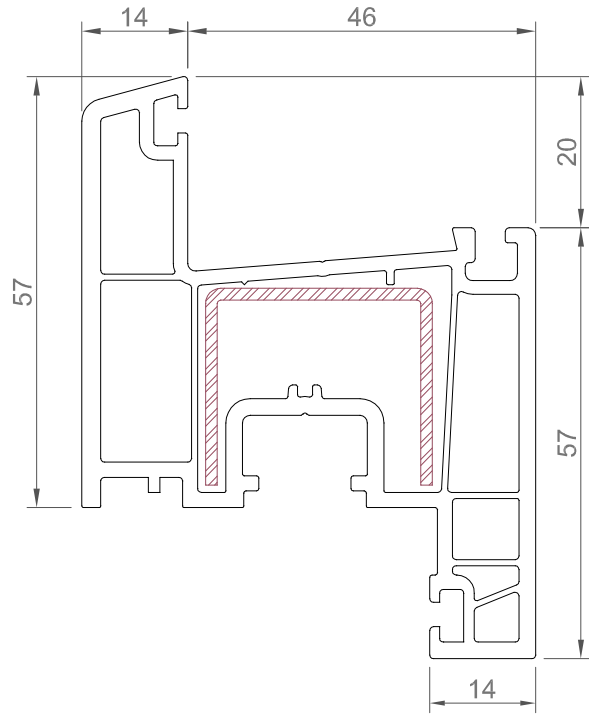


4 CHEMBERED RENOVATION FRAME PRF.	
6405 EU-B	1.314 kg/m

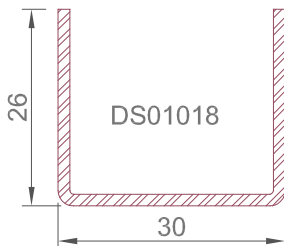
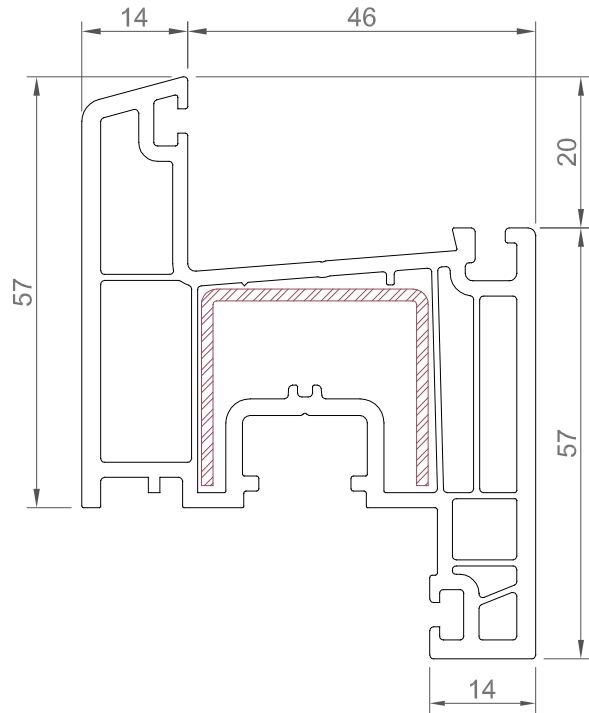


**TECHNICAL CATALOG**

3 CHEMBERED SASH PROFILE		
6303 ECO	1.087 kg/m	
U-Reinforcement steel	Thickness	Weight-kg/m
DS01018	1.25mm	0.774
30x26	1.50mm	0.918
	2.00mm	1.212

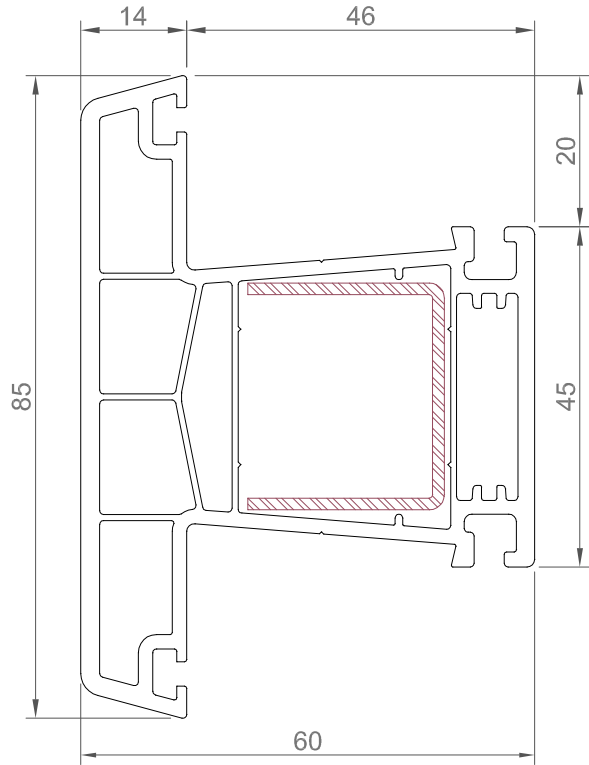
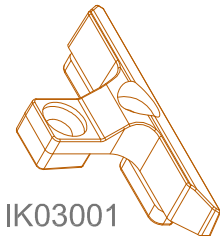


4 CHEMBERED SASH PROFILE	
6403 EU-B	1.175 kg/m

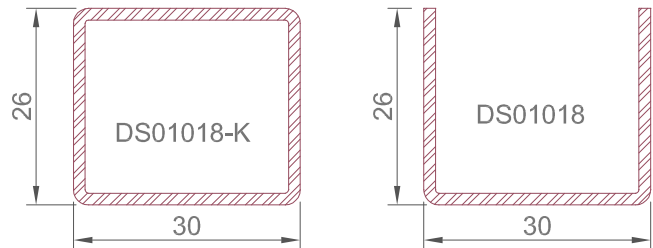
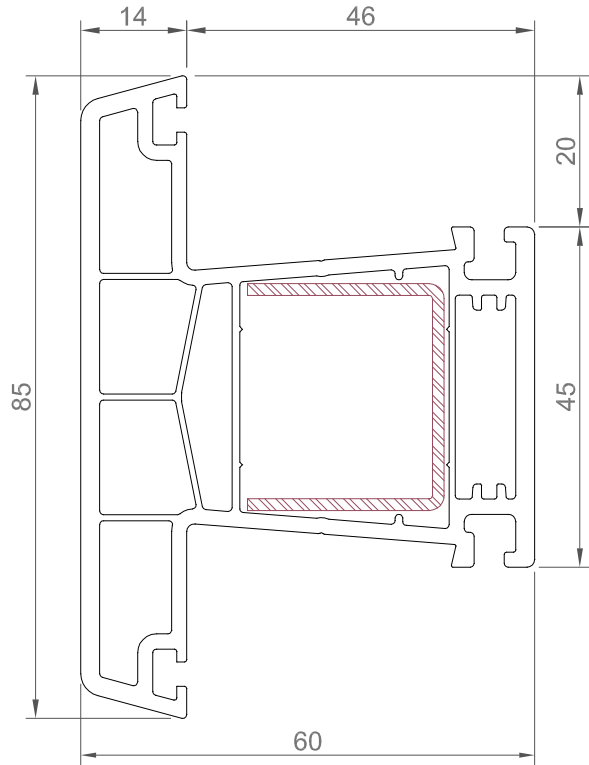
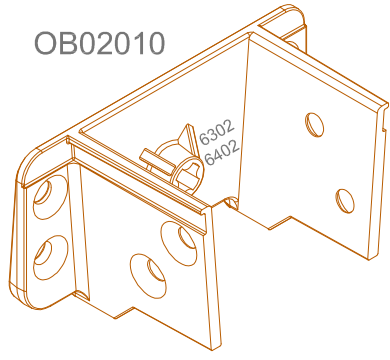


TECHNICAL CATALOG

3 CHEMBERED MULLION PROFILE		
6302 ECO	1.130 kg/m	
U-Reinforcement steel	Thickness	Weight-kg/m
DS01018 30x26	1.25mm	0.774
	1.50mm	0.918
	2.00mm	1.212
Box Reinforcement steel	Thickness	Weight-kg/m
DS01018-K 30x26	1.25mm	1.033
	1.50mm	1.217
	2.00mm	1.600

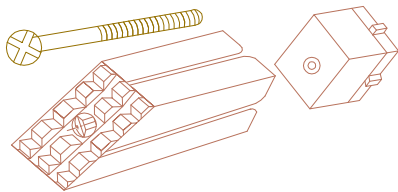


4 CHEMBERED MULLION PROFILE	
6402 EU-B	1.176 kg/m



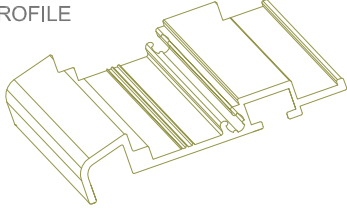
**TECHNICAL CATALOG**

3 CHAMBERED DOOR SASH PROFILE		
6304 ECO	1.417 kg/m	
U-Reinforcement steel	Thickness	Weight-kg/m
DS01048	1.25mm	1.200
30x43x6	1.55mm	1.430
	2.05mm	1.859
Box Reinforcement steel	Thickness	Weight-kg/m
DS01048-K	1.25mm	1.308
30x40.5	1.55mm	1.547
	2.05mm	2.039

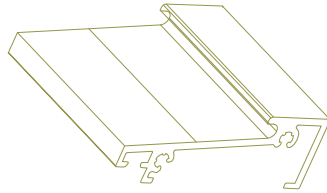


KT01004-26x39 DS01048  
KT01005-26x36 DS01048-K

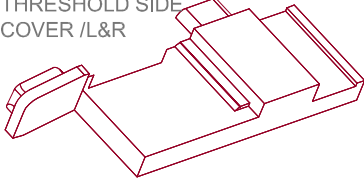
AB 01011 - 4066 DOOR SASH  
ALUMINIUM DRAINER  
PROFILE



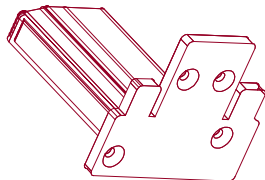
AB 01009 - 3308 ALM.  
THRESHOLD



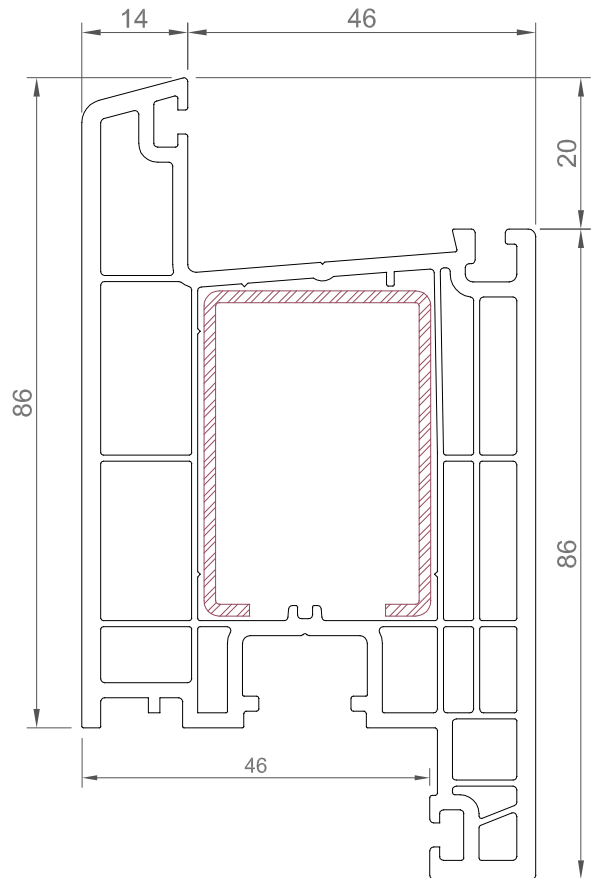
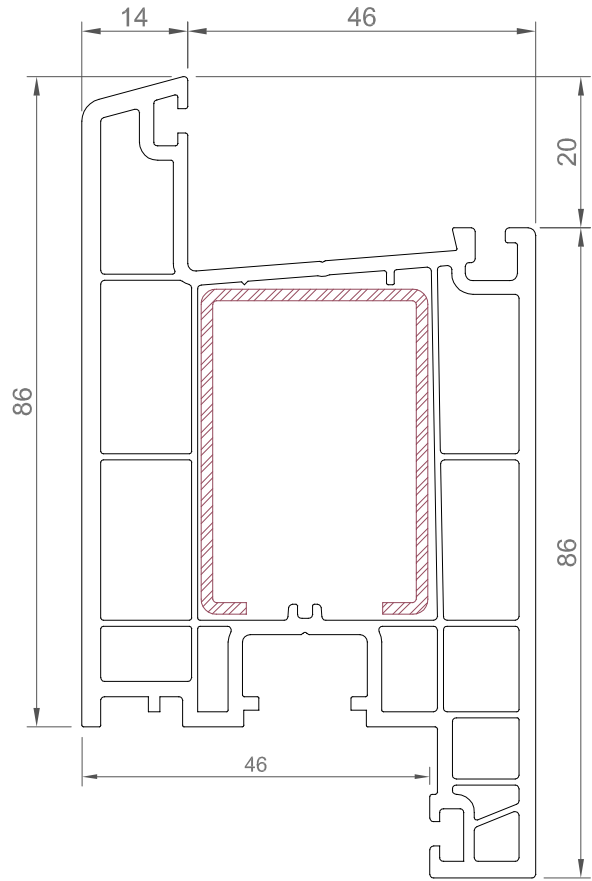
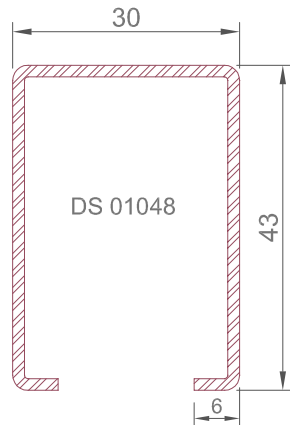
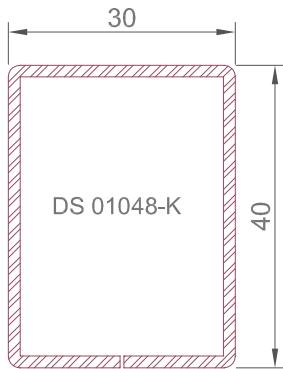
EK 01004 ALUMINIUM  
THRESHOLD SIDE  
COVER /L&R



EK 01003 ALUMINIUM  
THRESHOLD SIDE  
COVER /L&R



4 CHAMBERED DOOR SASH PROFILE	
6404 EU-B	1.541 kg/m

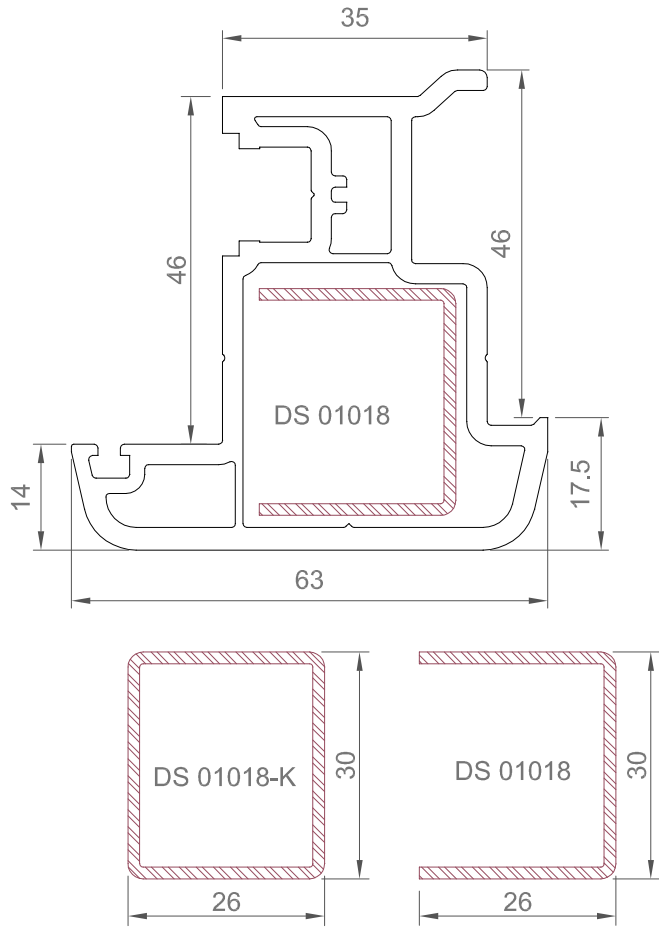
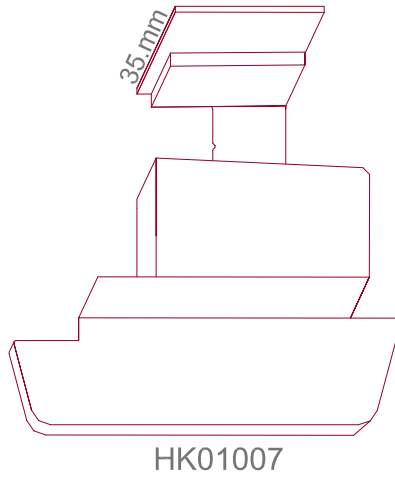


## TECHNICAL CATALOG

REBATE REVERSER PROFILE

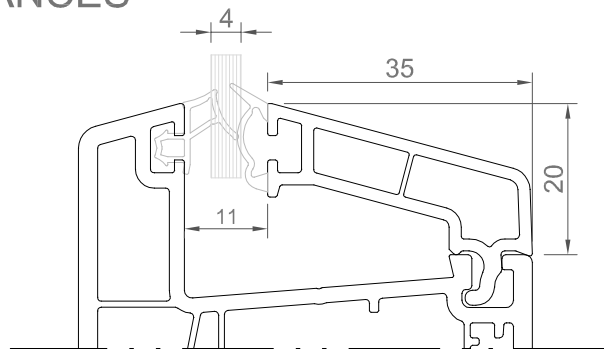
6044 1.078 kg/m

U-Reinforcement steel	Thickness	Weight-kg/m
DS01018	1.25mm	0.753
30x26	1.55mm	0.930
	2.05mm	1.224
Box Reinforcement steel	Thickness	Weight-kg/m
DS01018-K	1.25mm	
	1.55mm	1.213
30x26	2.05mm	1.570

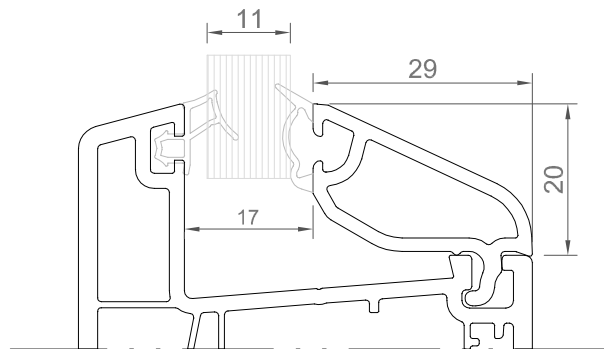


## GLAZING BEAD CLEARANCES

SINGLE GLAZING BEAD - 4mm  
6306 0.243+0.027=0.270 kg/m



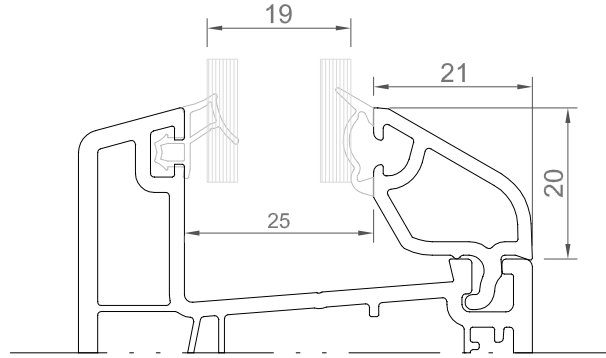
DOUBLE GLAZING BEAD - 11mm  
7088 0.231+0.027=0.258 kg/m



**TECHNICAL CATALOG**

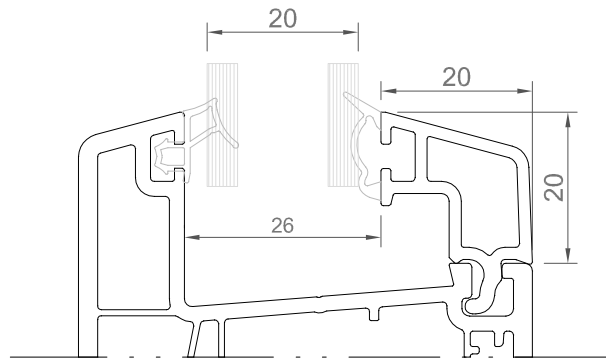
DOUBLE GLAZING BEAD - 19mm

7064  $0.196+0.027=0.223$  kg/m



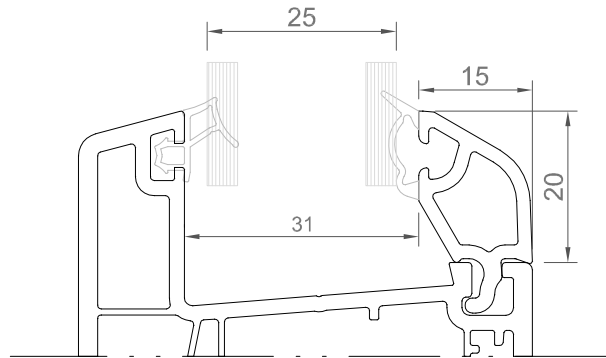
DOUBLE GLAZING BEAD - 20mm

6307  $0.185+0.027=0.212$  kg/m



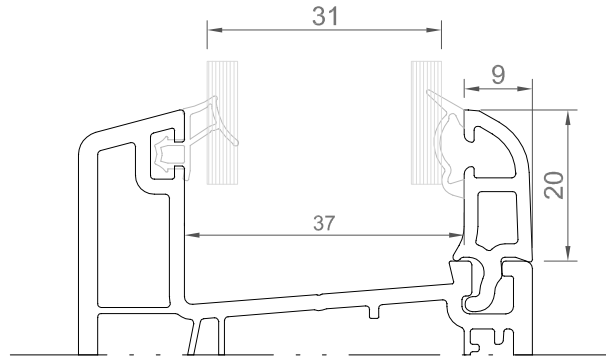
DOUBLE GLAZING BEAD - 25mm

7063  $0.172+0.027=0.199$  kg/m



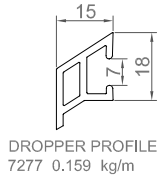
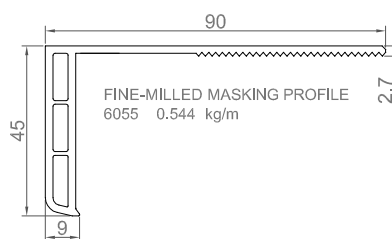
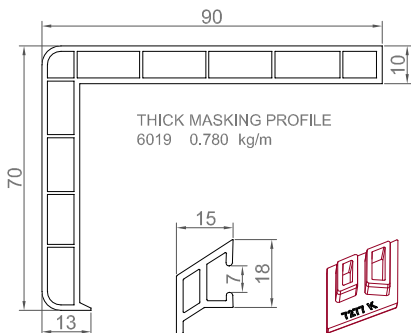
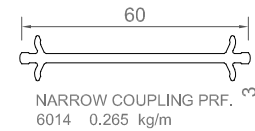
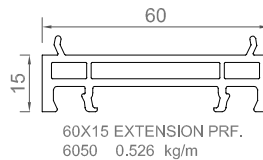
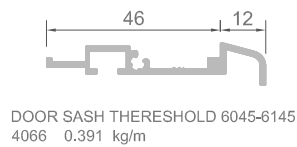
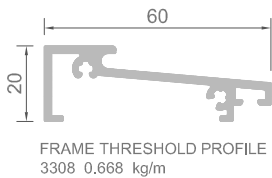
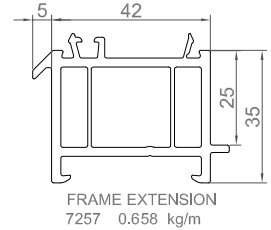
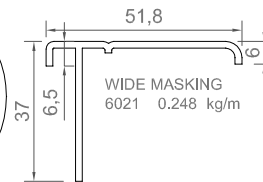
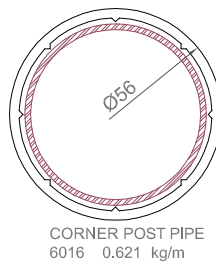
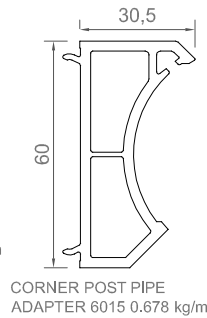
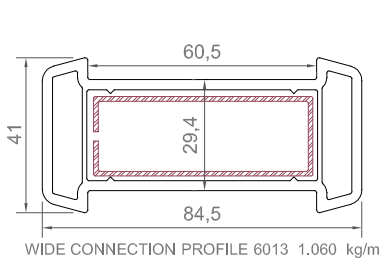
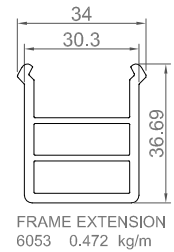
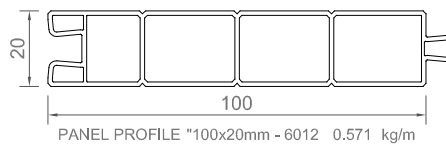
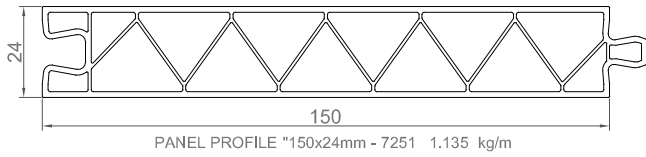
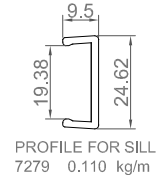
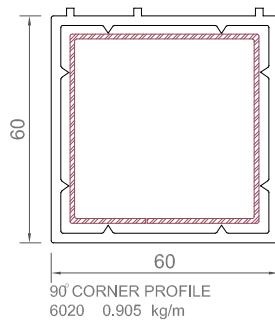
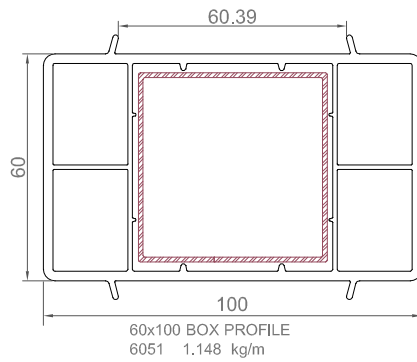
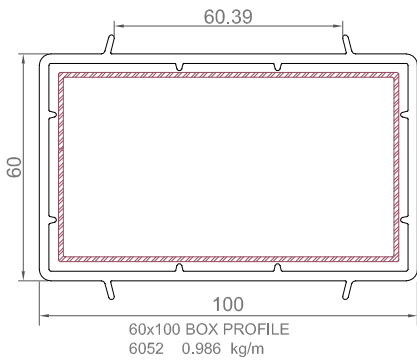
TRIPLE GLAZING BEAD - 31mm

7464  $0.151+0.027=0.178$  kg/m

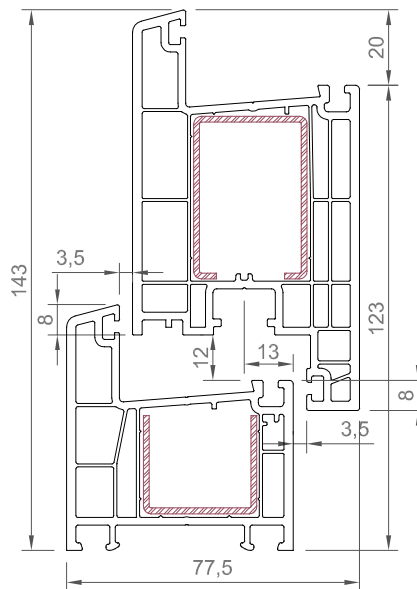
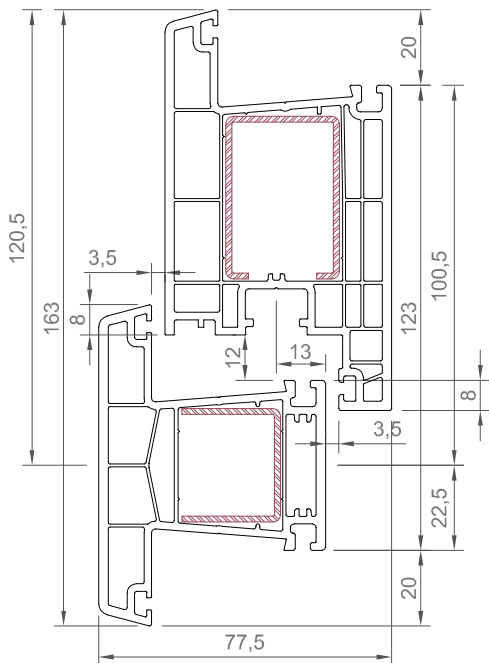
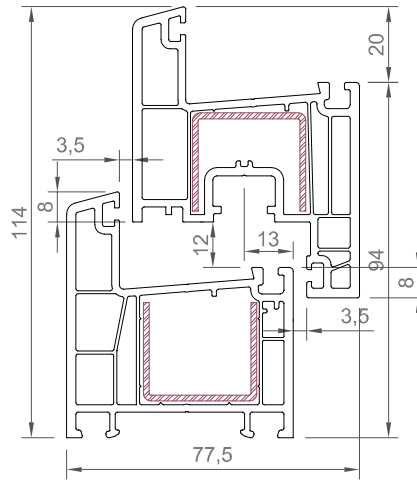
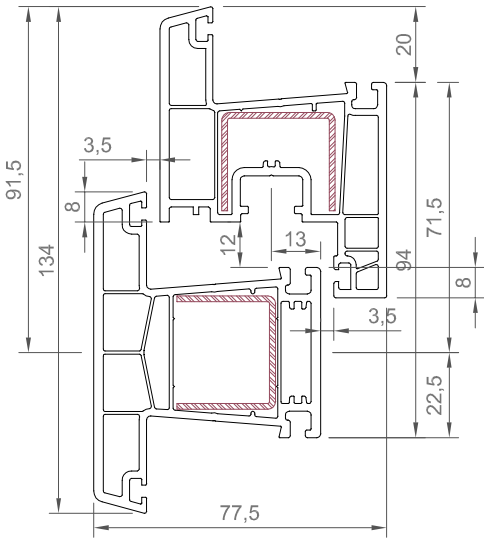




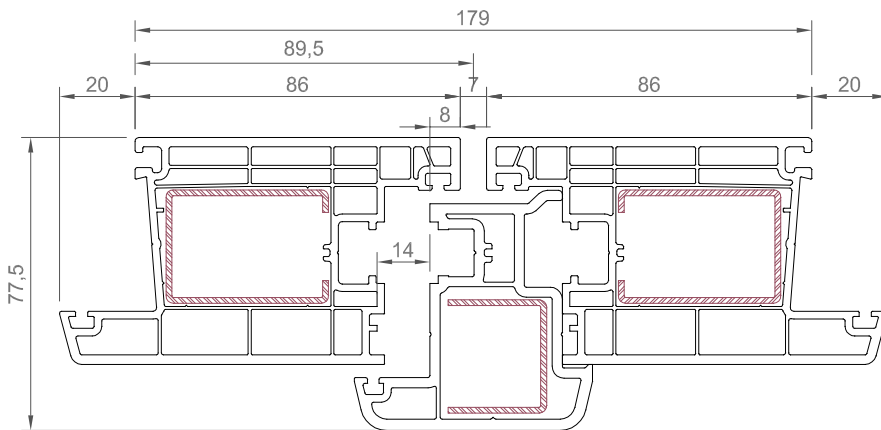
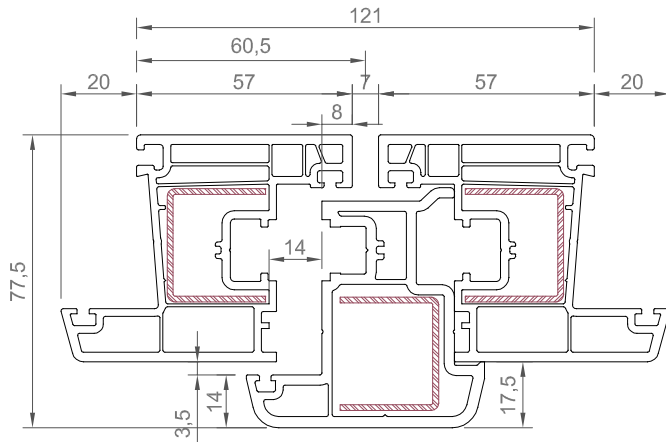
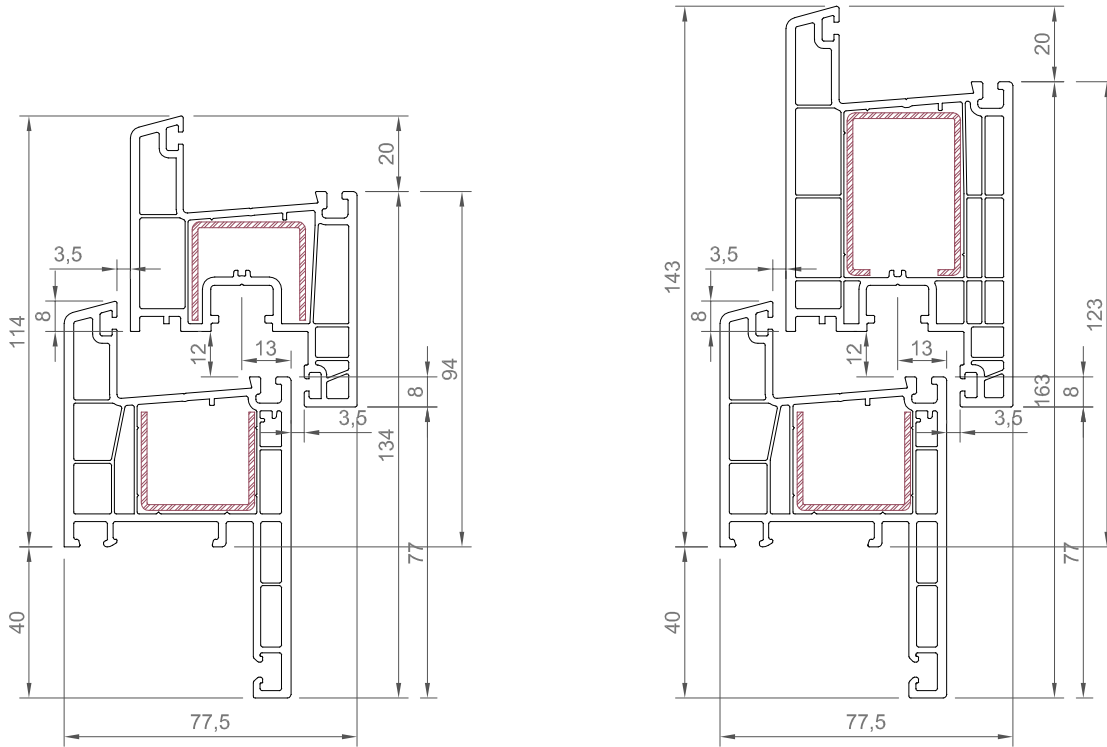
**AUXILIARY PROFILES**



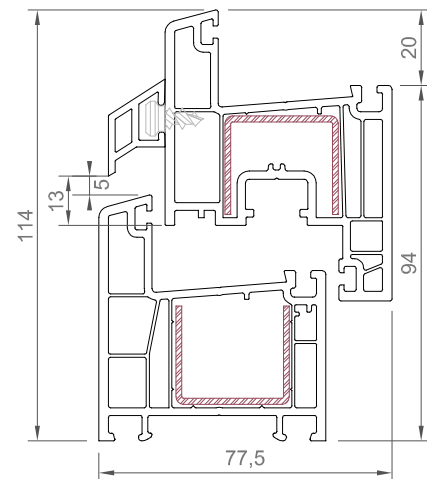
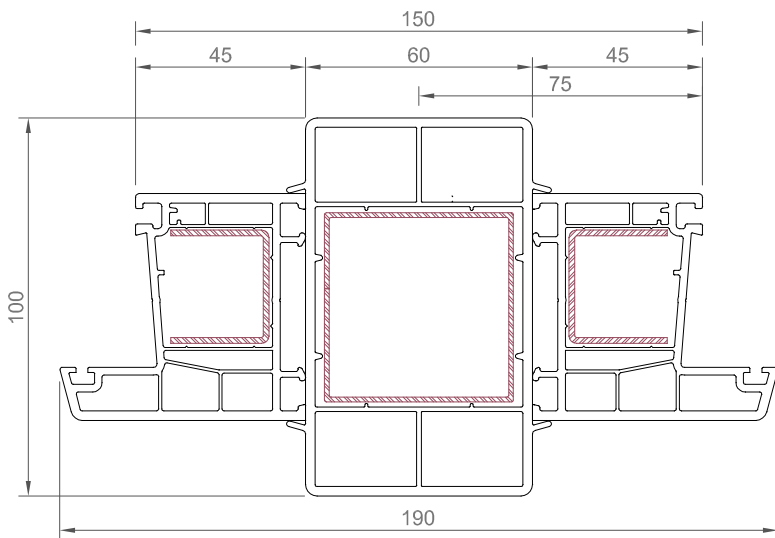
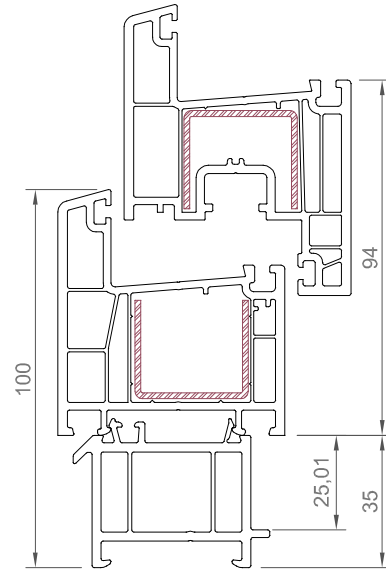
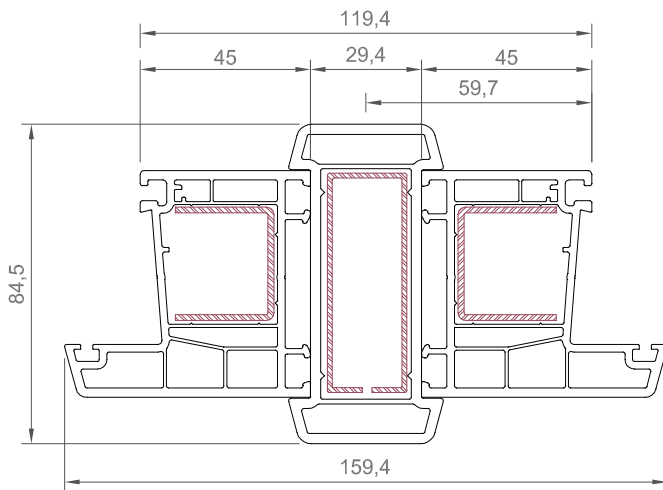
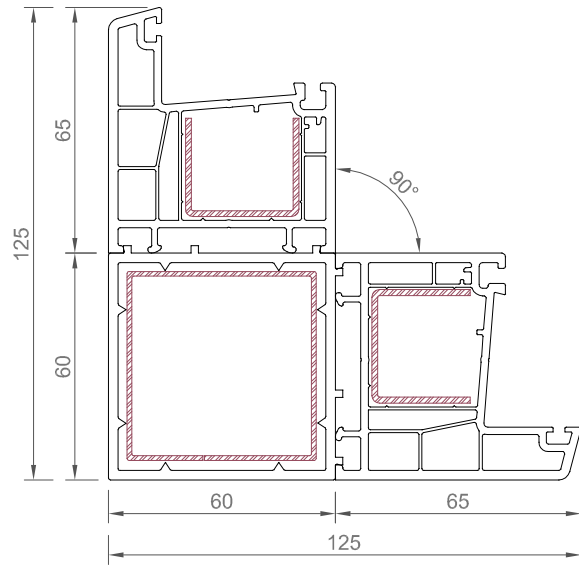
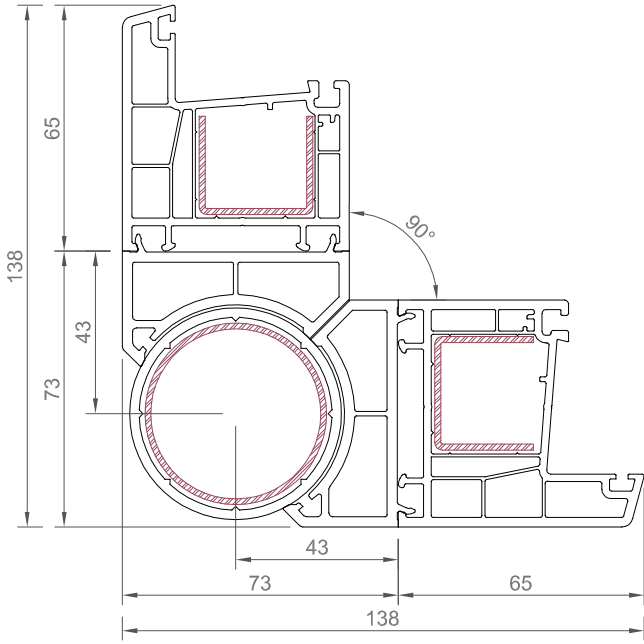
SCALED APPLICATION DETAILS



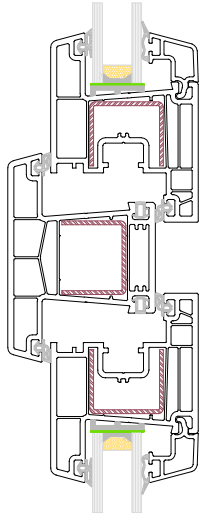
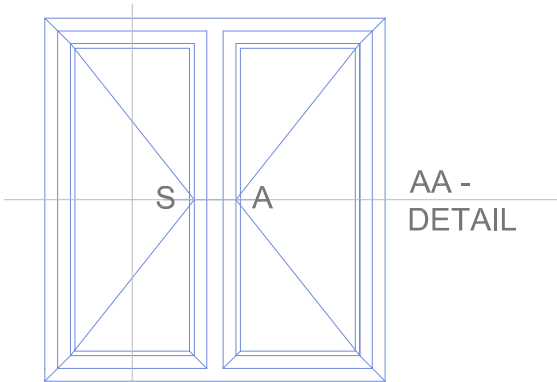
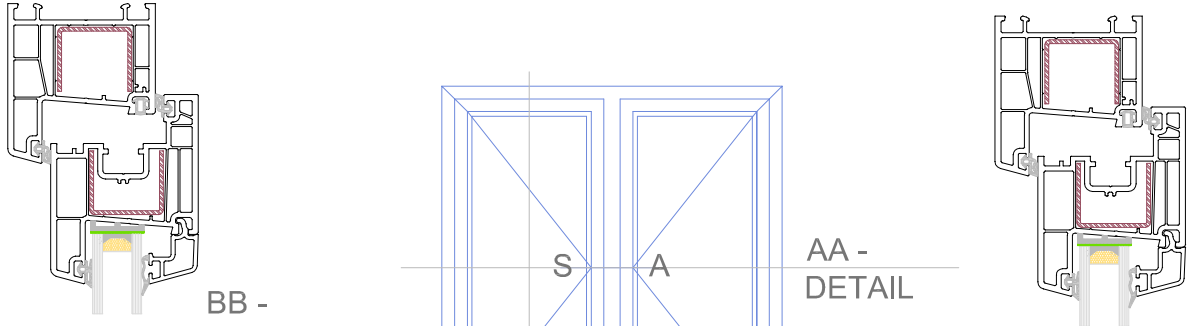
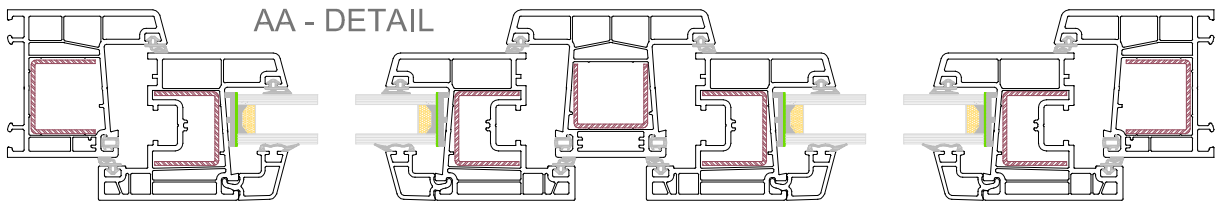
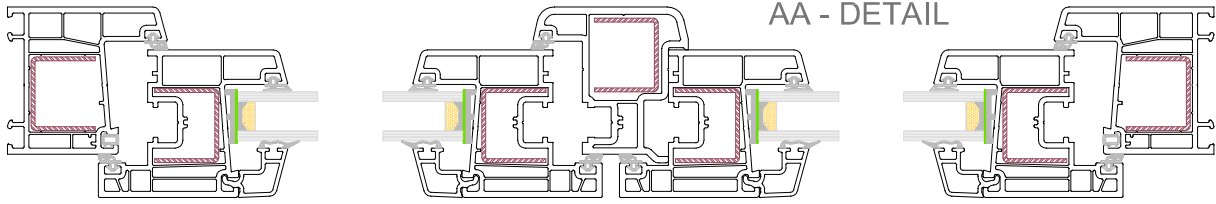
**TECHNICAL CATALOG**



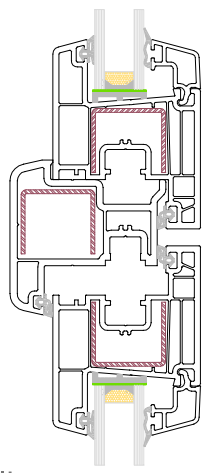
TECHNICAL CATALOG



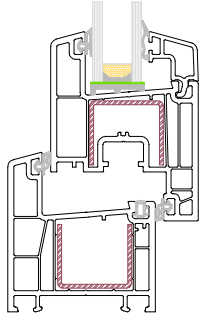
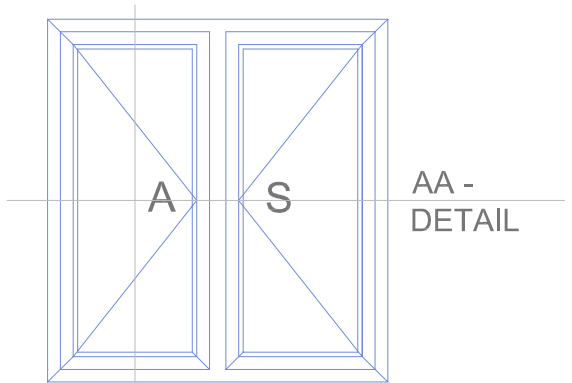
TECHNICAL CATALOG



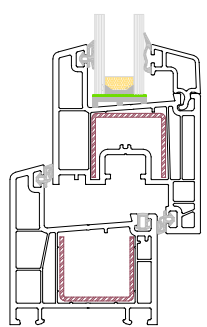
BB - DETAIL



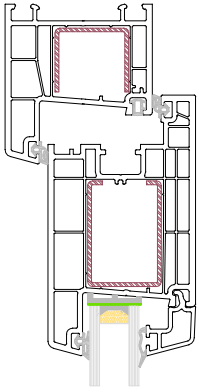
BB - DETAIL



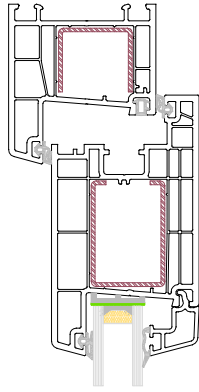
BB - DETAIL



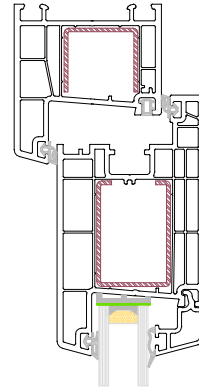
TECHNICAL CATALOG



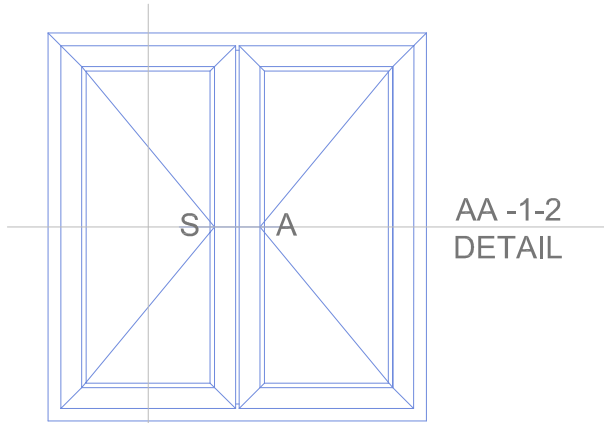
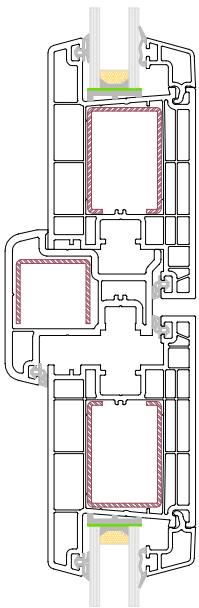
AA -2  
DETAIL



BB -  
DETAIL

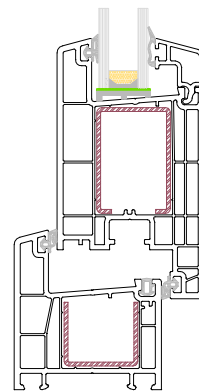
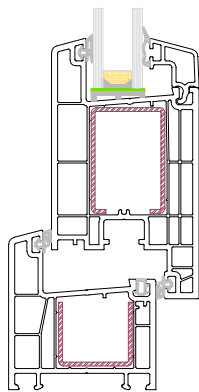
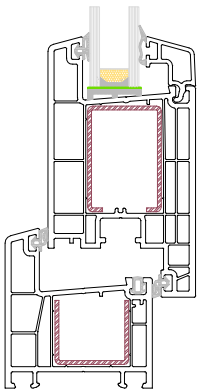
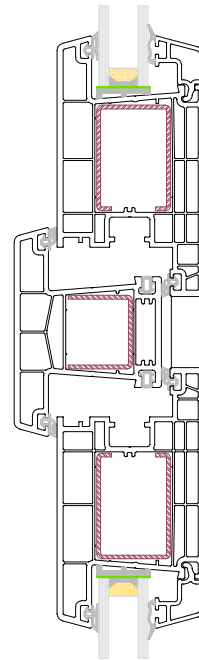


AA -1  
DETAIL

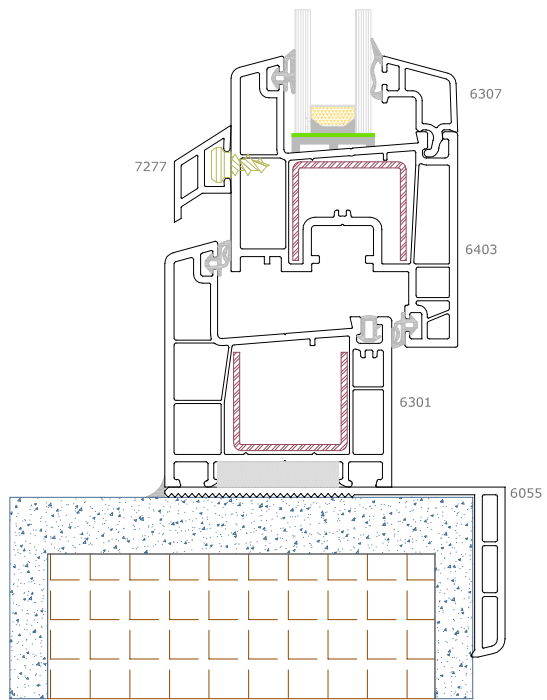
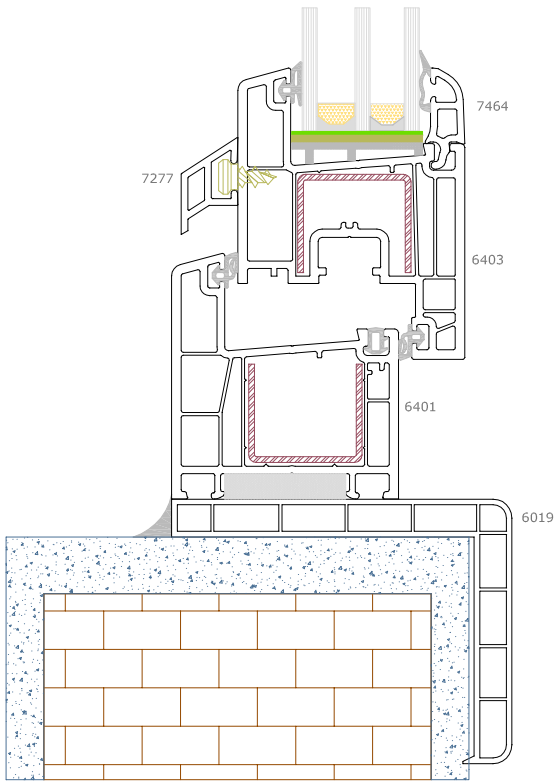
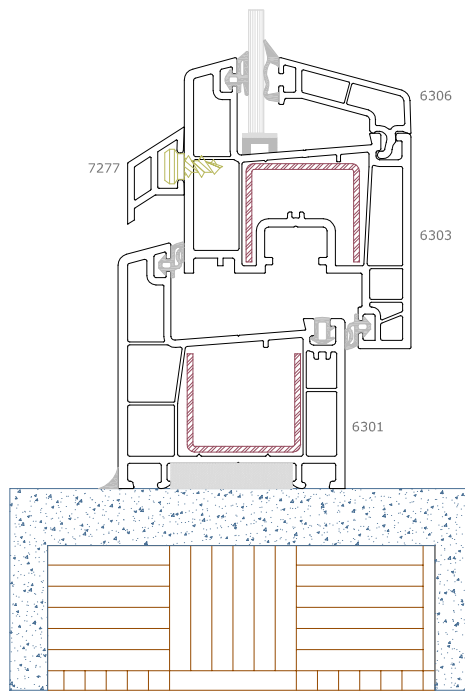
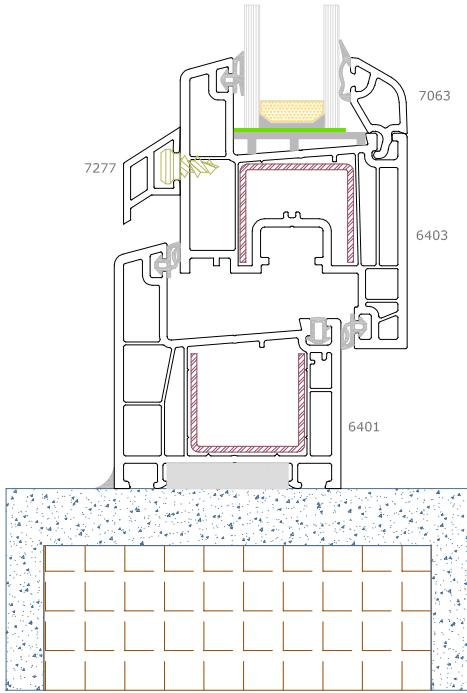


AA -1-2  
DETAIL

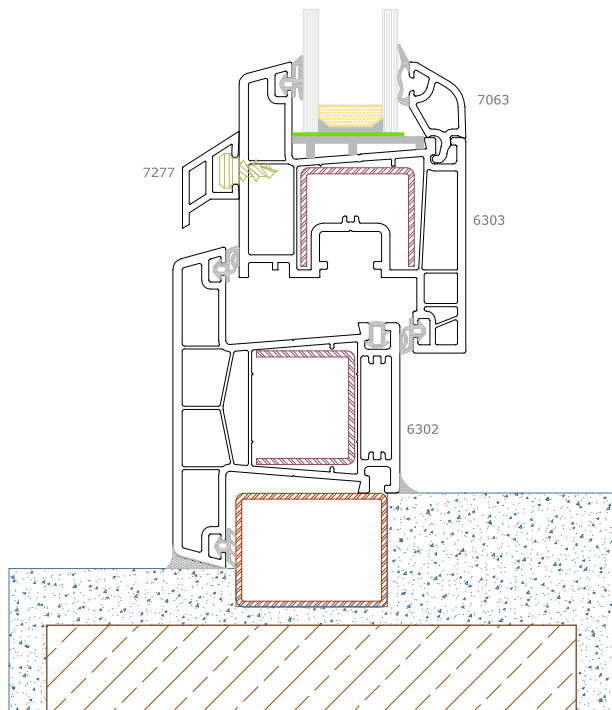
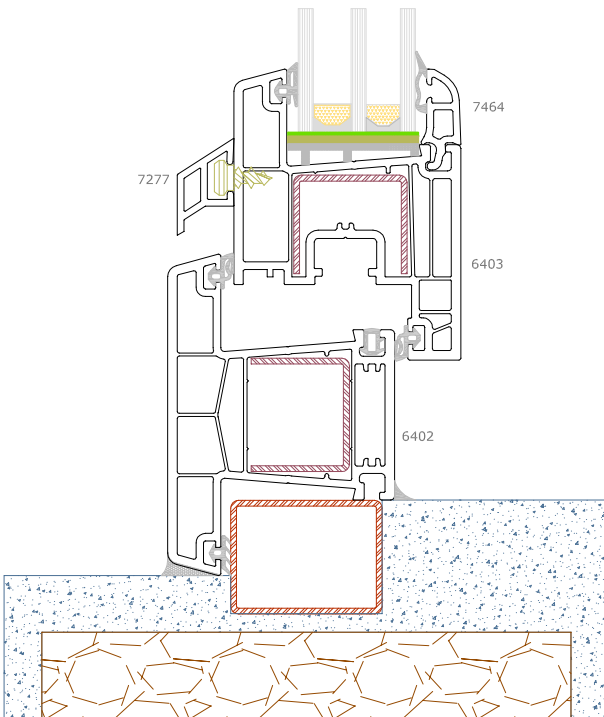
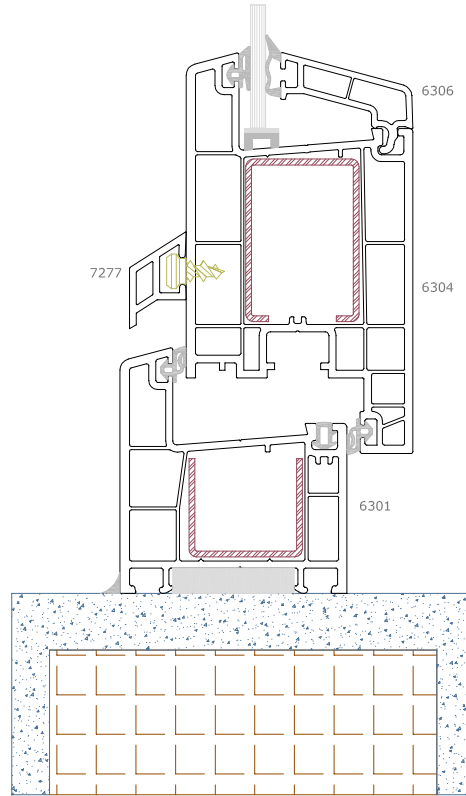
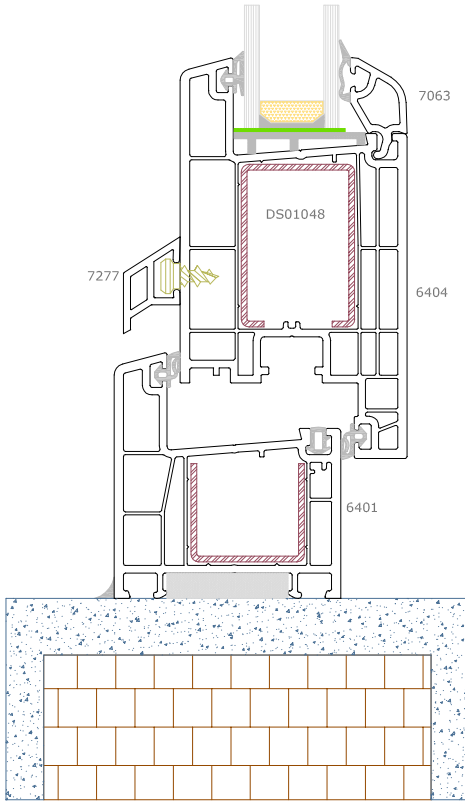
BB -  
DETAIL



TECHNICAL CATALOG

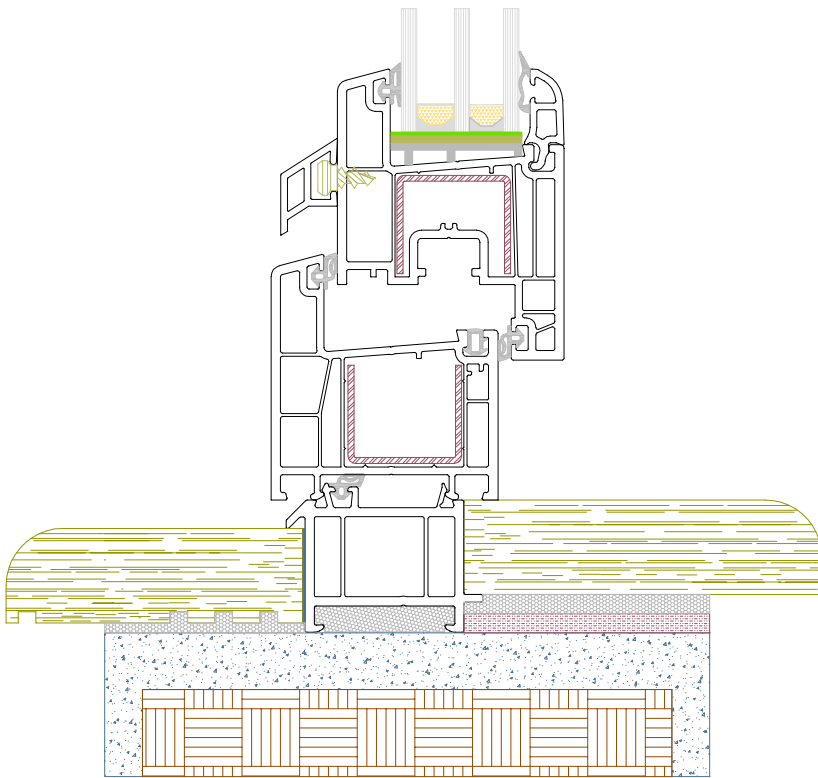
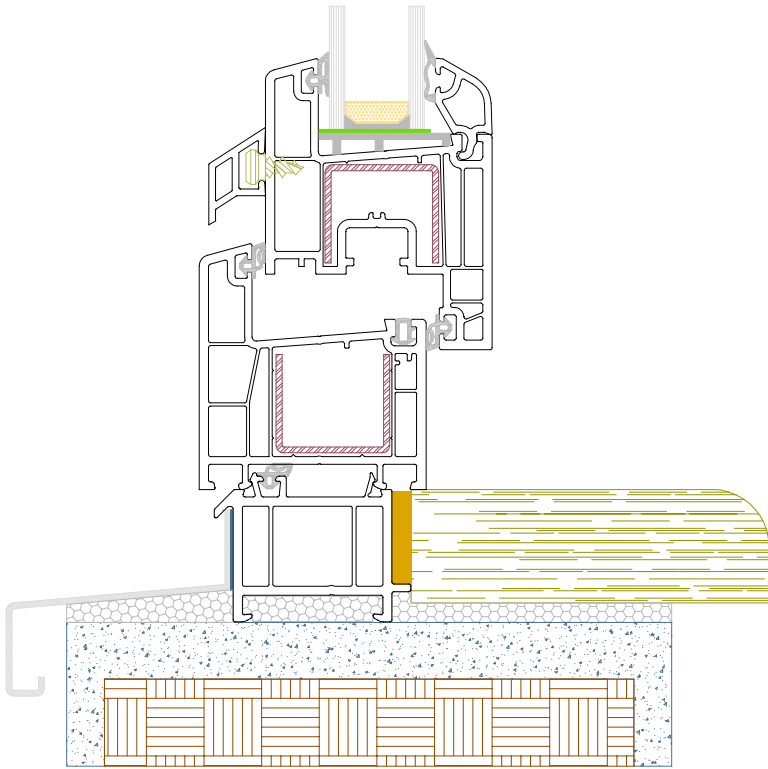


TECHNICAL CATALOG

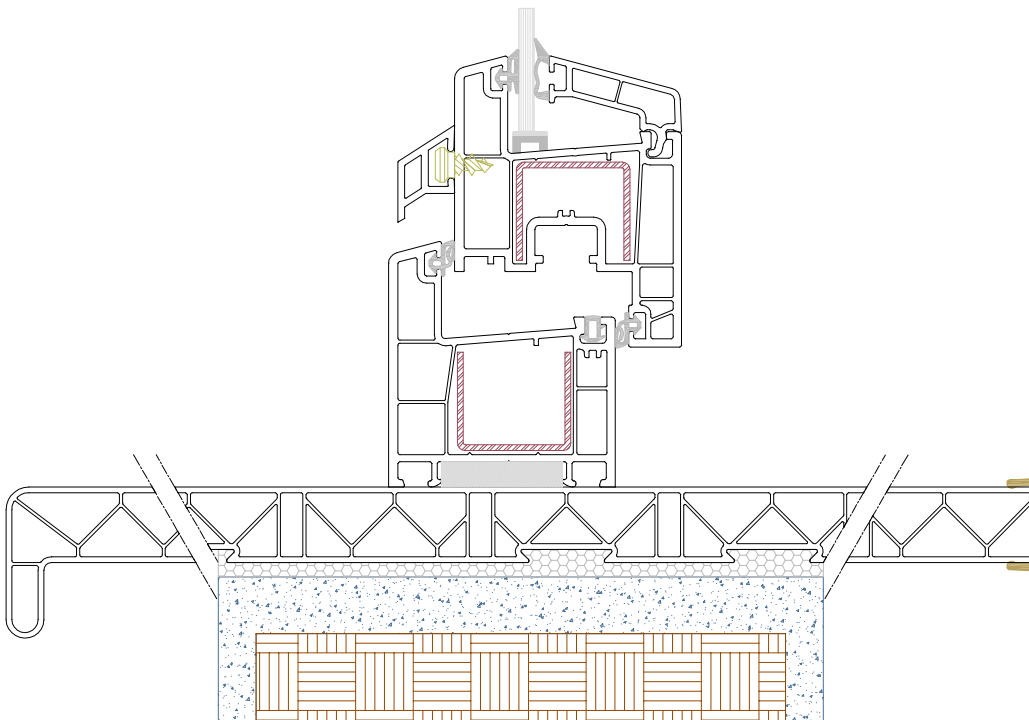
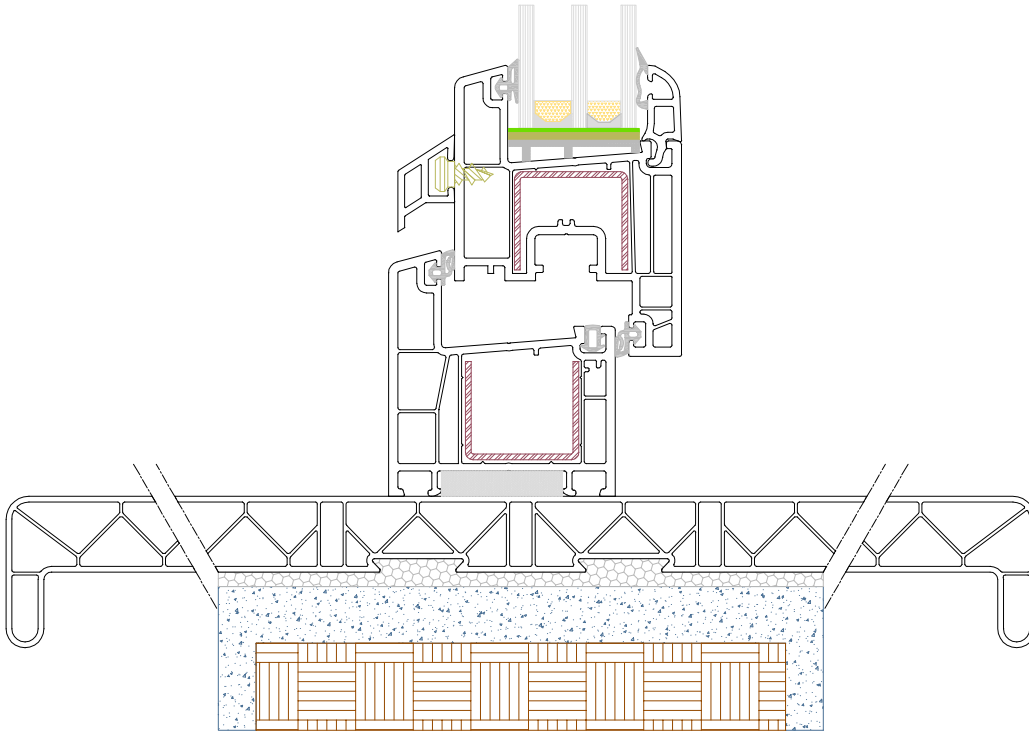




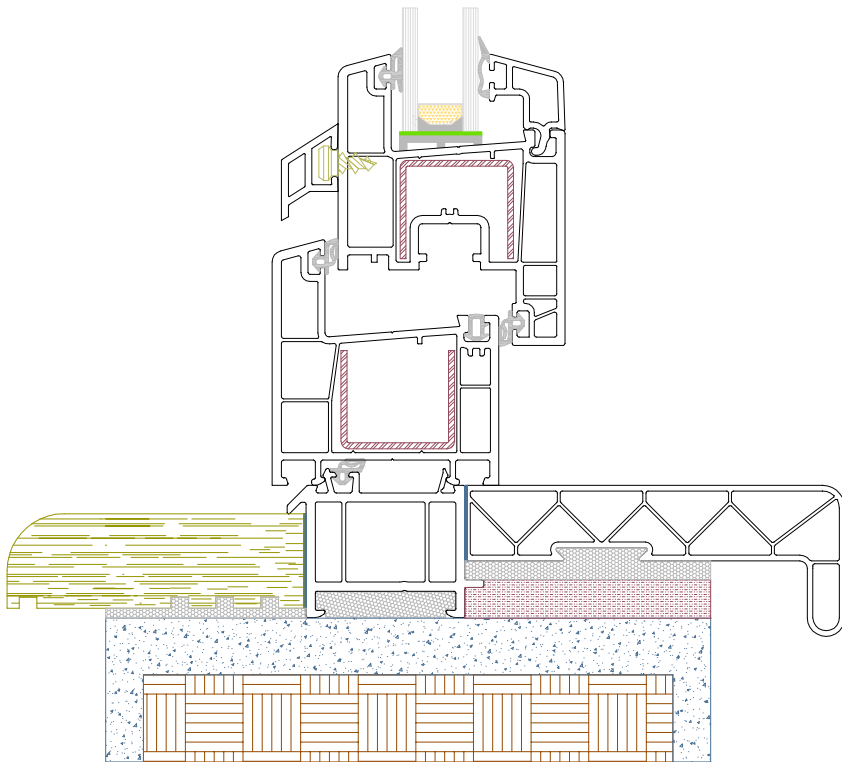
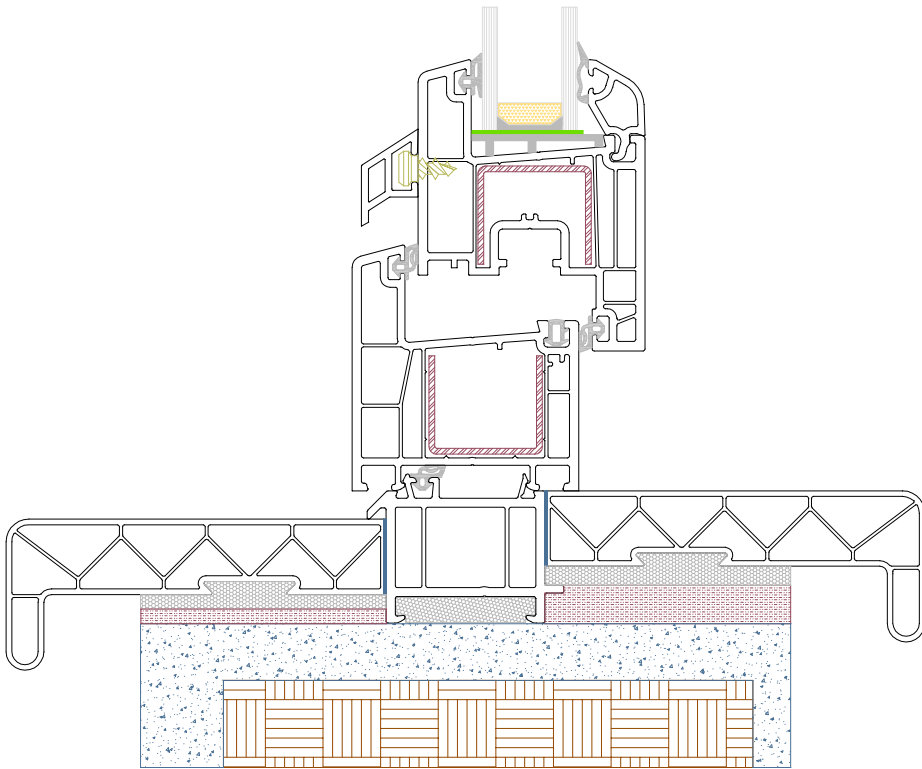
TECHNICAL CATALOG



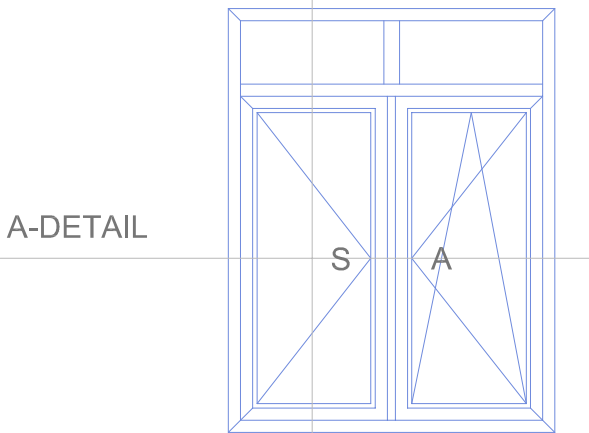
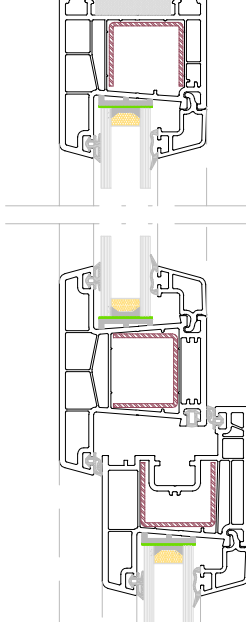
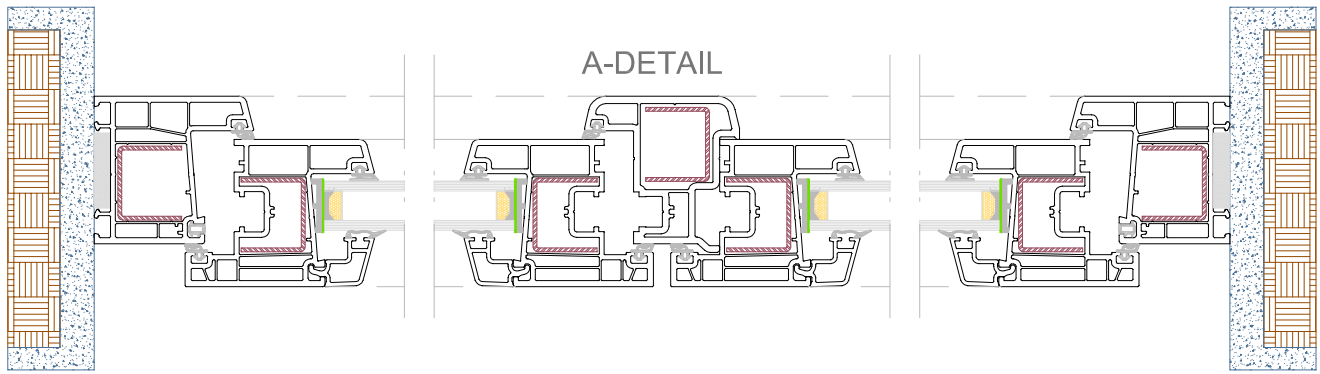
TECHNICAL CATALOG



TECHNICAL CATALOG

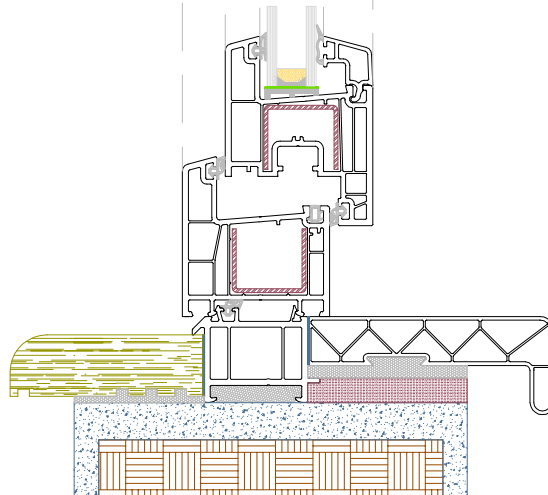


TECHNICAL CATALOG

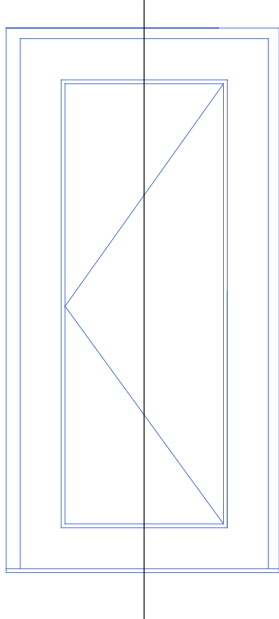
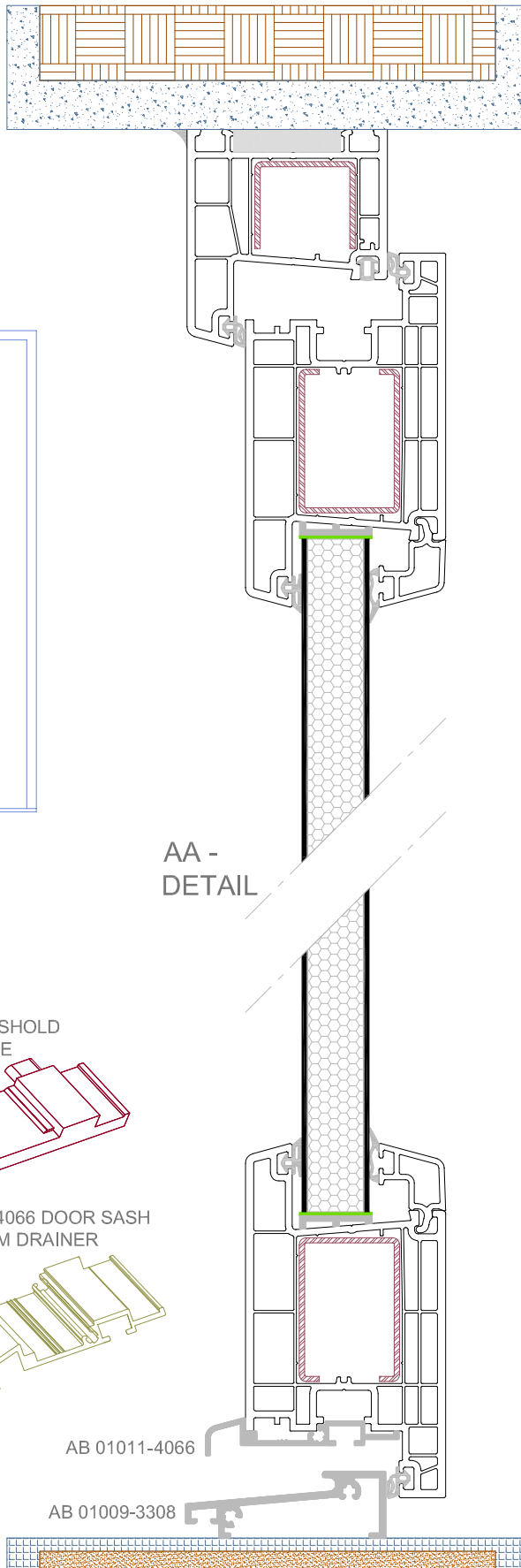


B-DETAIL

B-DETAIL



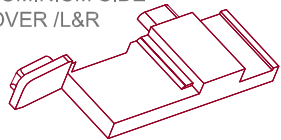
TECHNICAL CATALOG



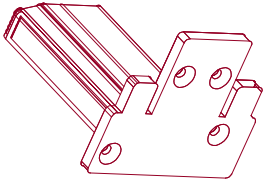
AA -  
DETAIL

AA -  
DETAIL

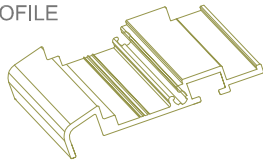
EK 01004 THRESHOLD  
ALUMINIUM SIDE  
COVER /L&R



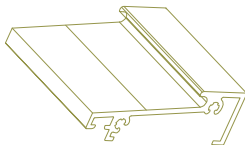
EK 01003 ALUMINIUM  
THRESHOLD SIDE  
COVER /L&R



AB 01011-4066 DOOR SASH  
ALUMINIUM DRAINER  
PROFILE



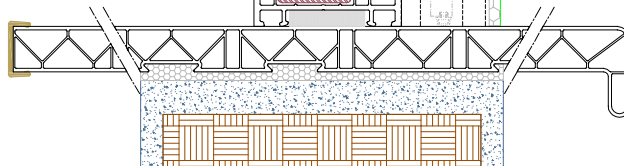
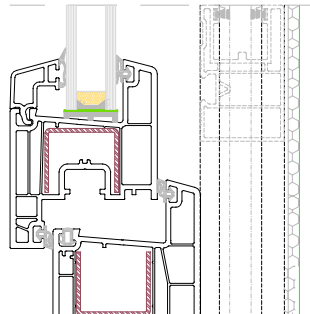
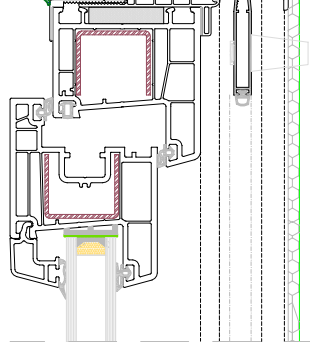
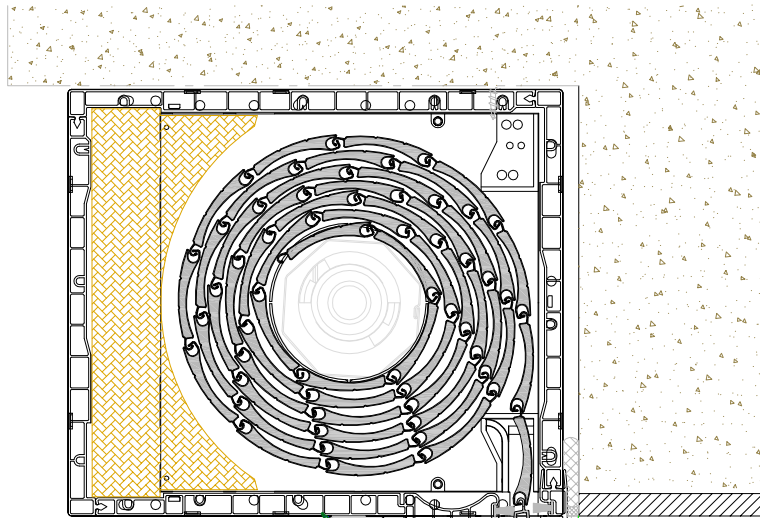
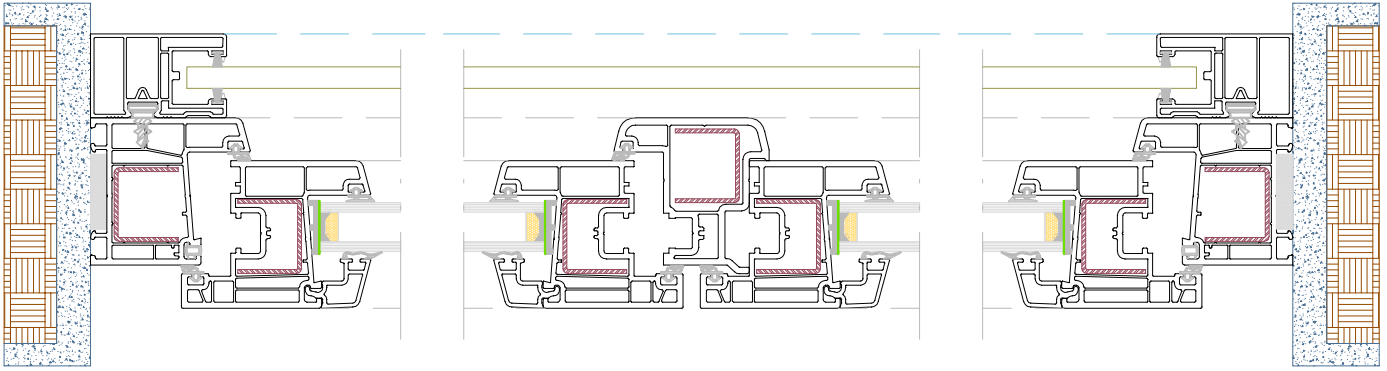
AB01009 - 3308  
THRESHOLD ALUMINIUM  
PROFILE



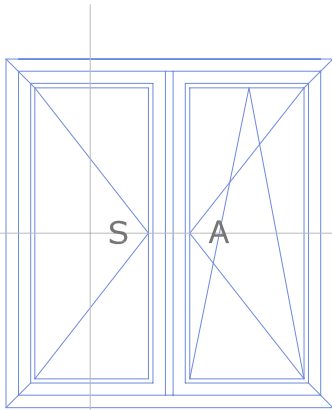
AB 01011-4066

AB 01009-3308

TECHNICAL CATALOG

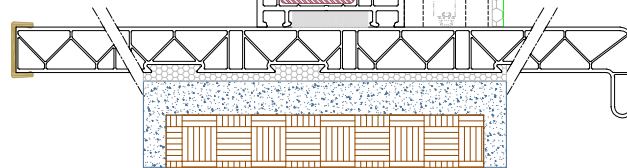
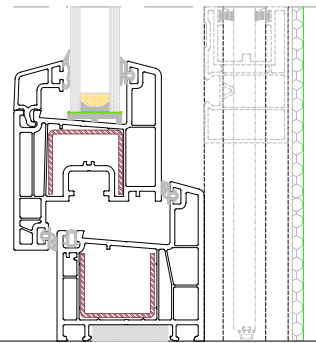
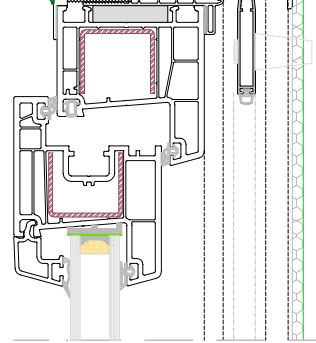
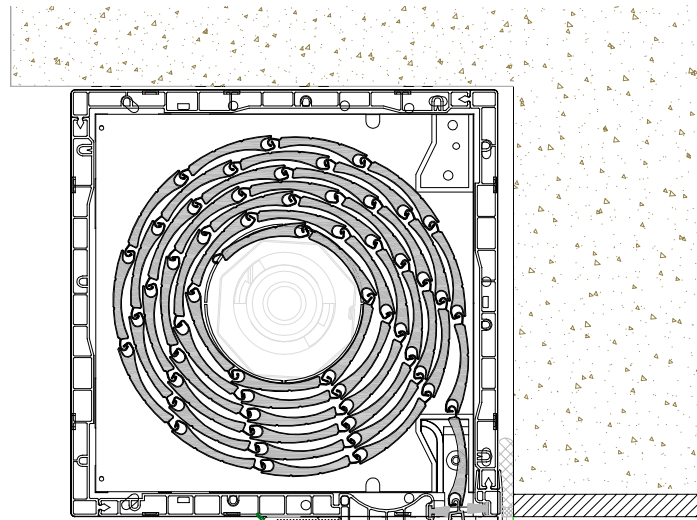
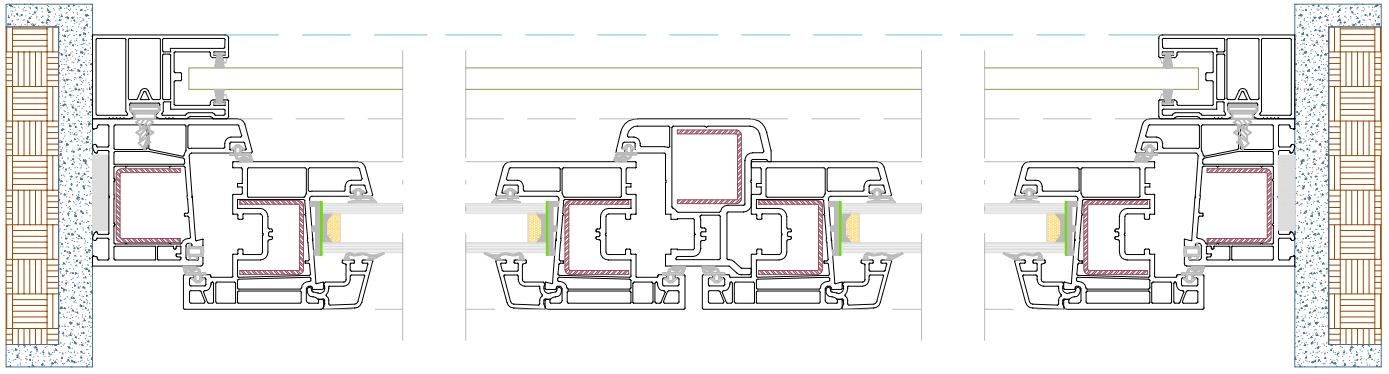


A-  
DETAIL

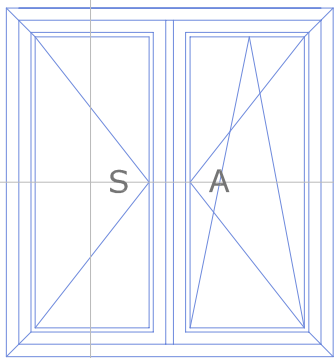


B-  
DETAIL

TECHNICAL CATALOG

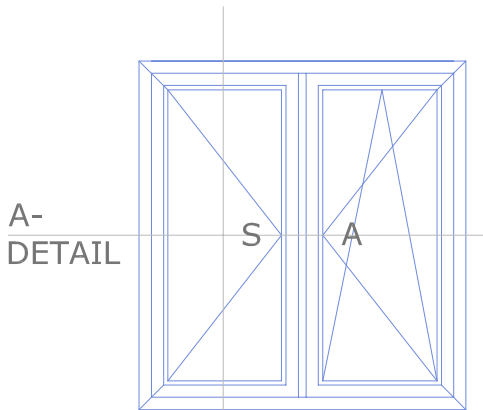
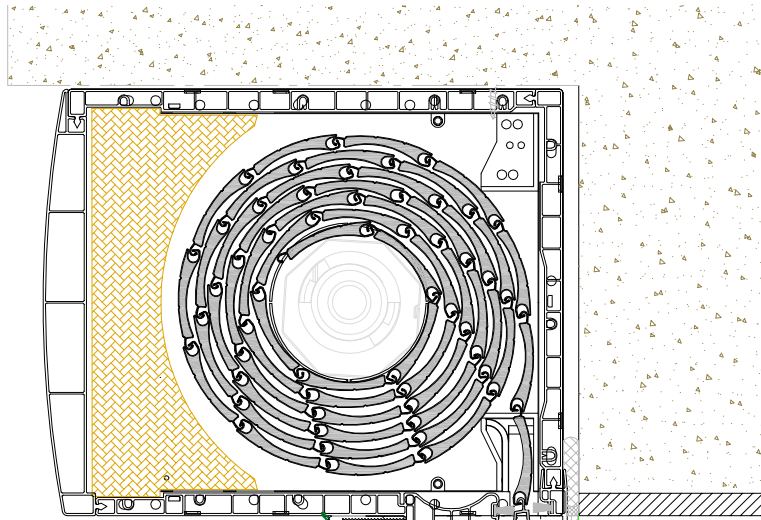
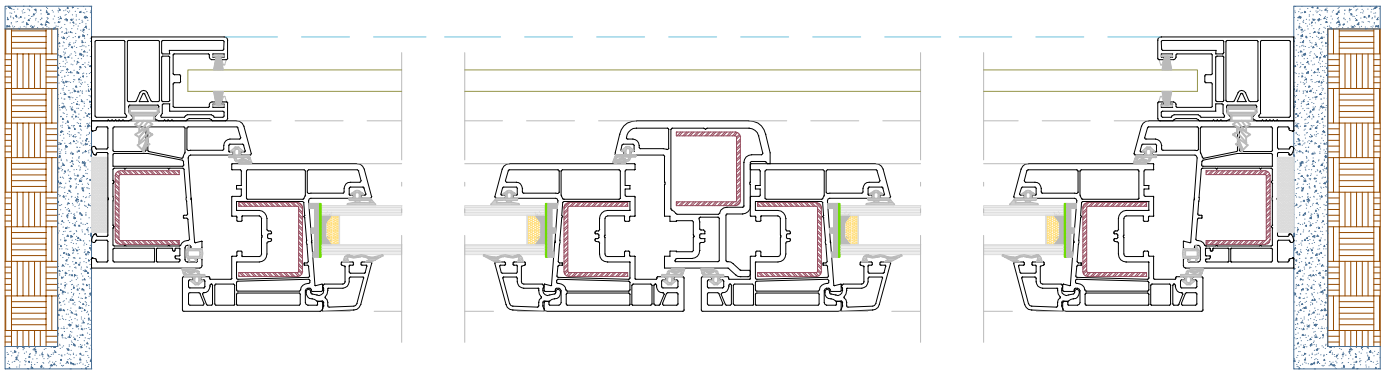


A-  
DETAIL

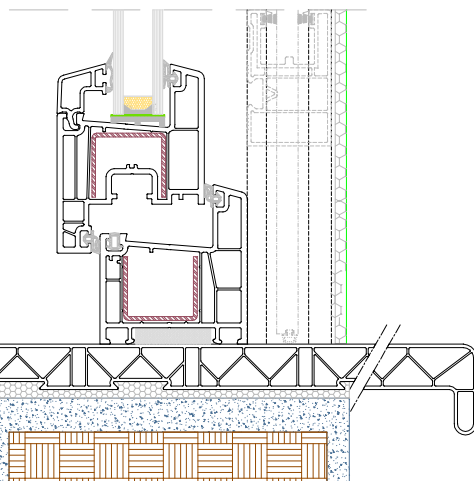
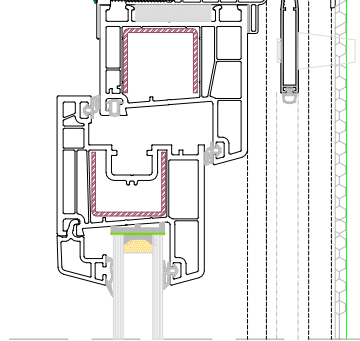


B-  
DETAIL

TECHNICAL CATALOG

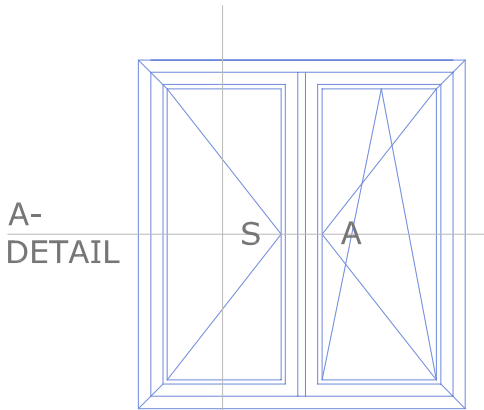
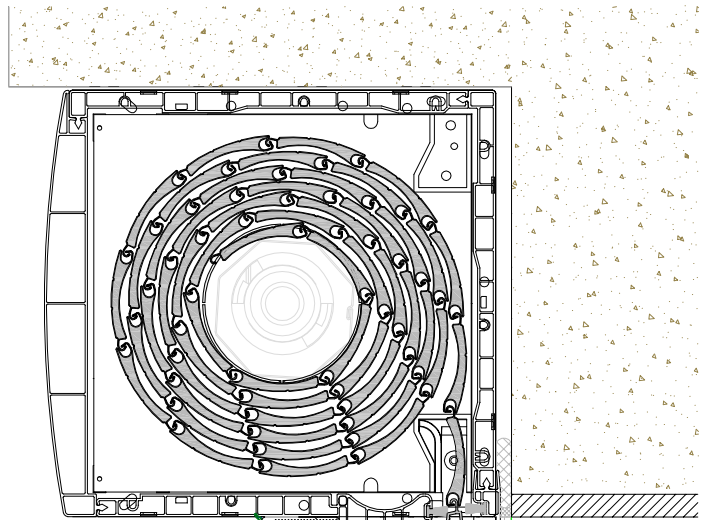
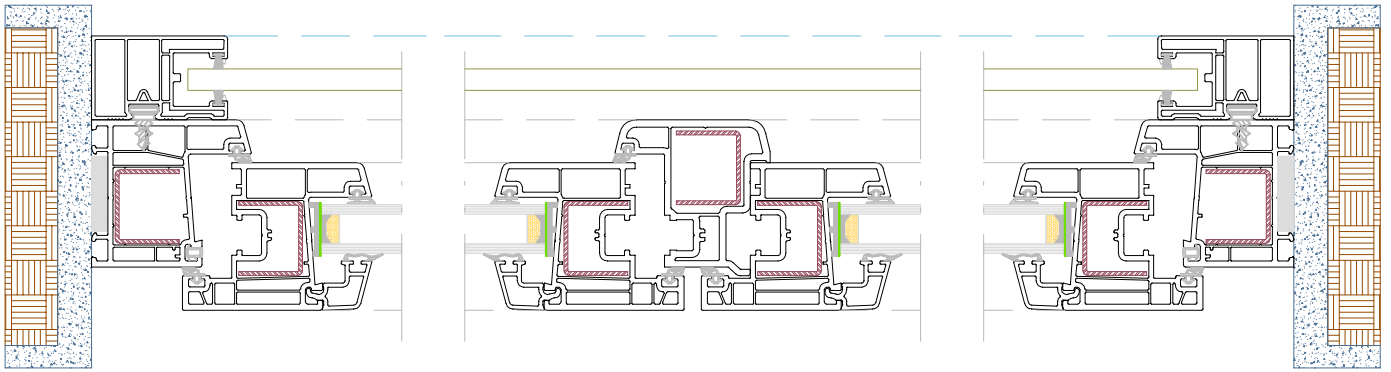


B-DETAIL



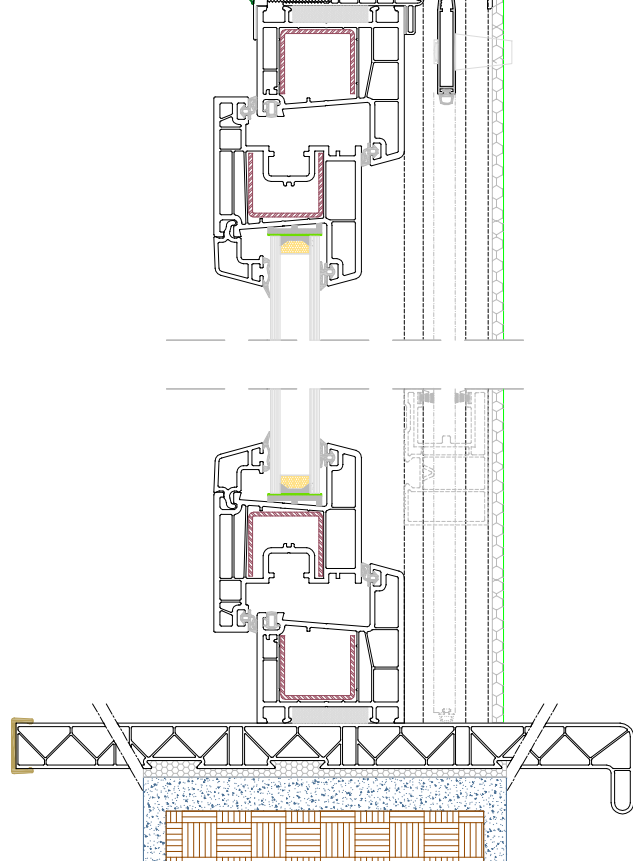


TECHNICAL CATALOG

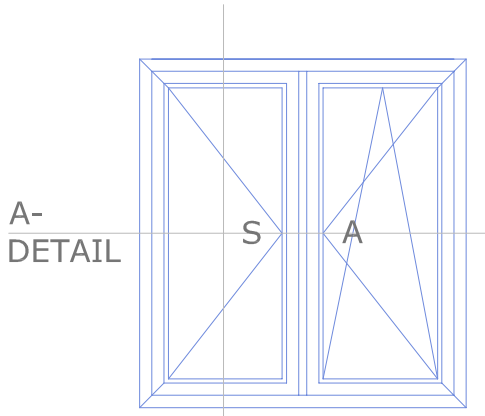
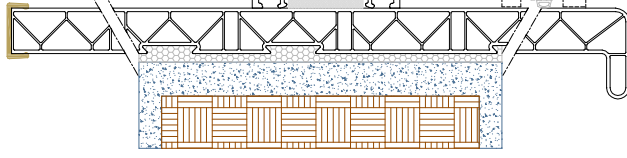
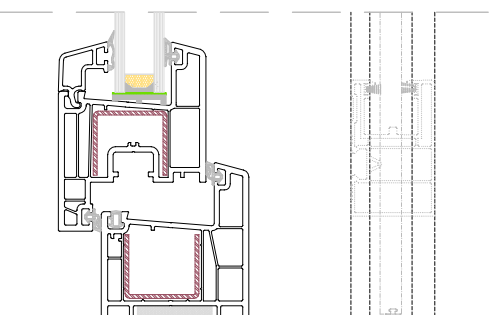
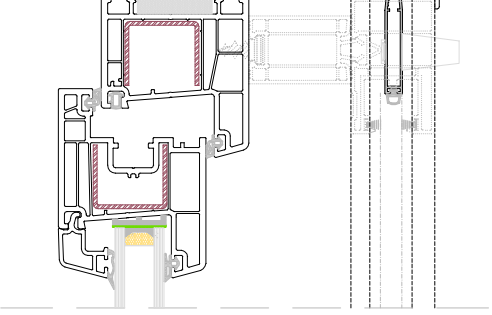
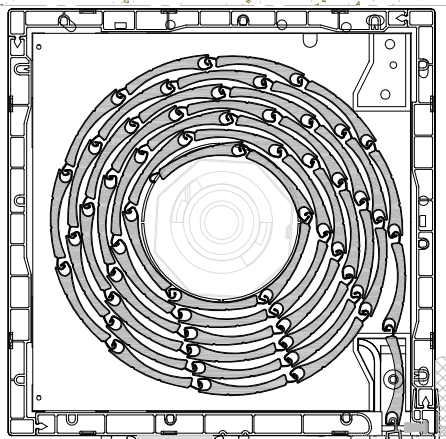
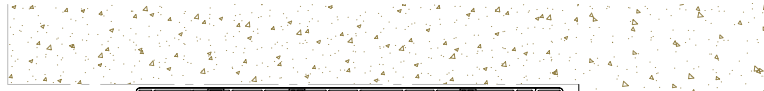
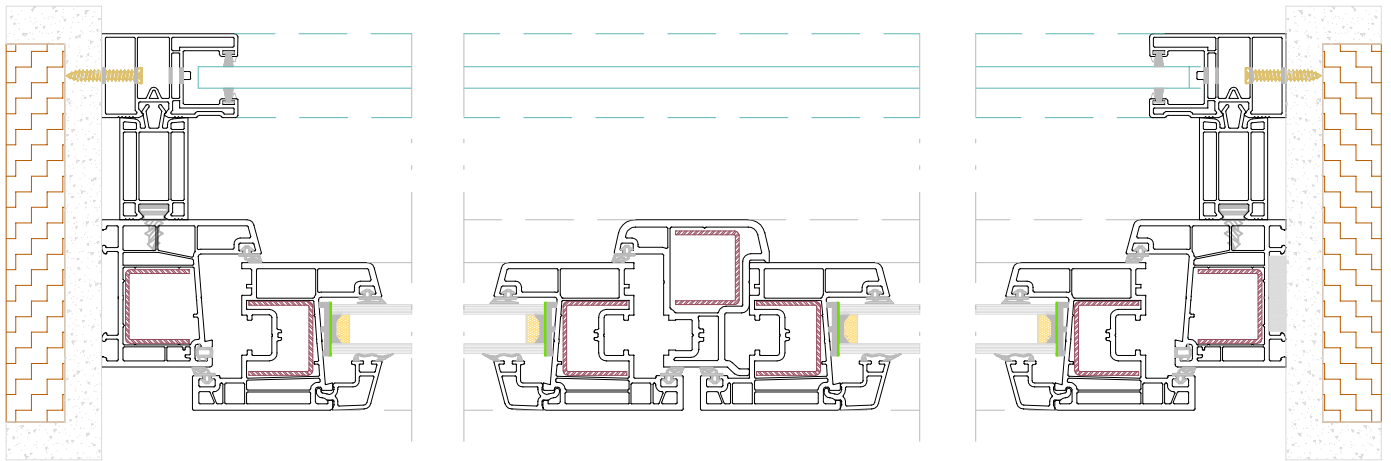


A-  
DETAIL

B-  
DETAIL



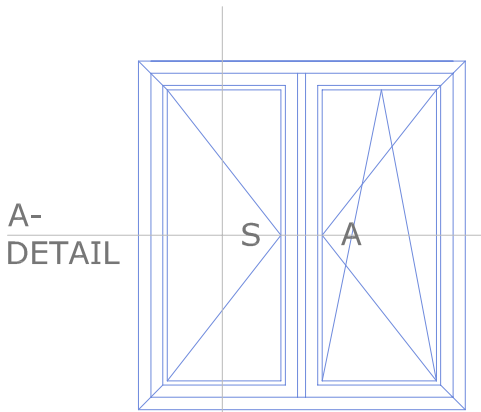
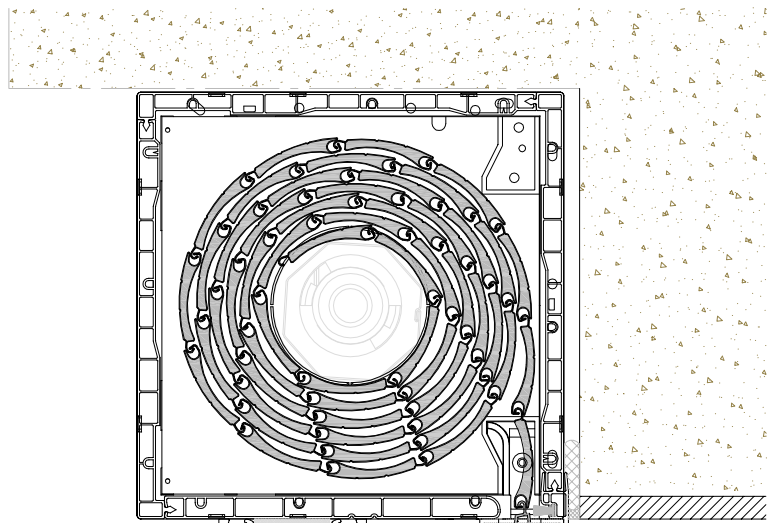
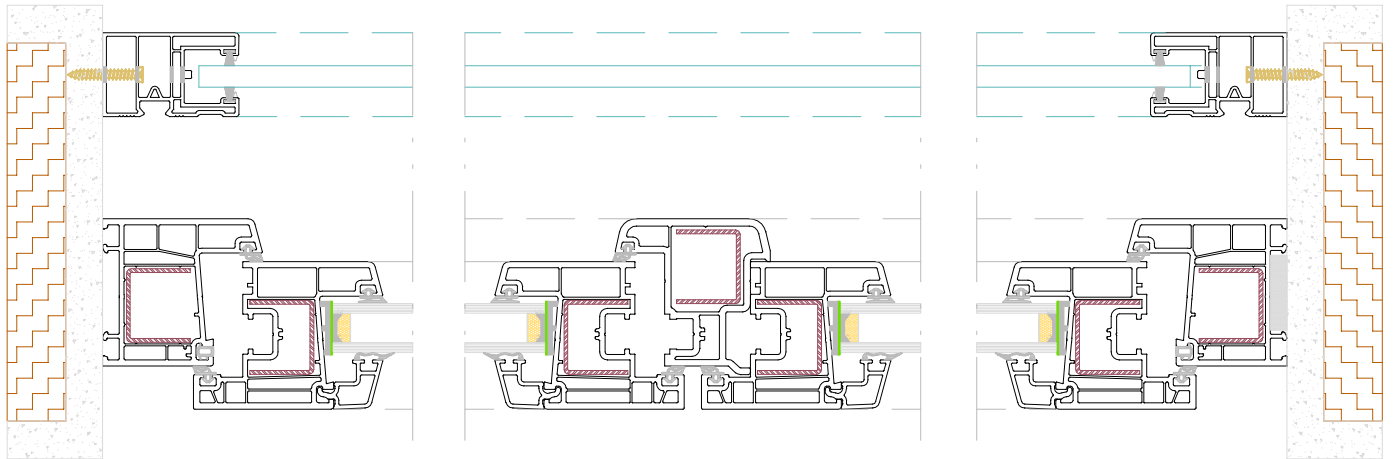
TECHNICAL CATALOG



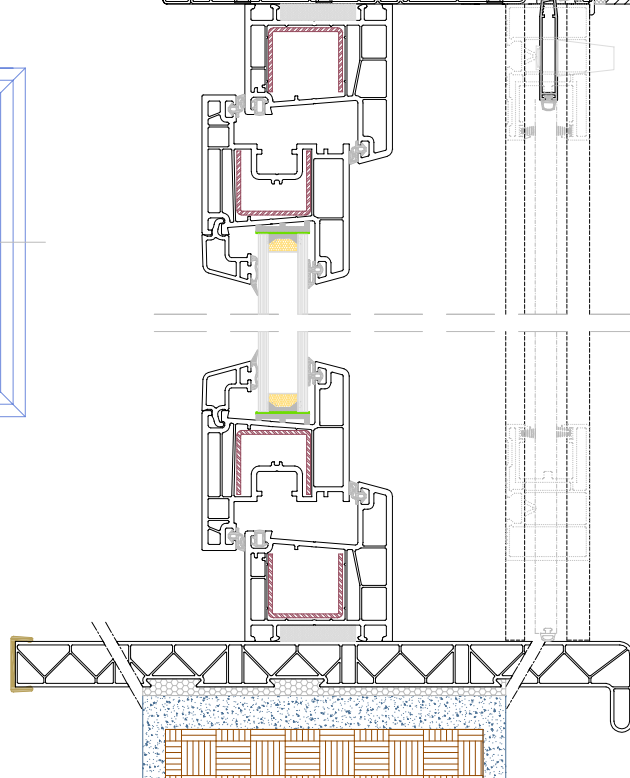
A-  
DETAIL

B-  
DETAIL

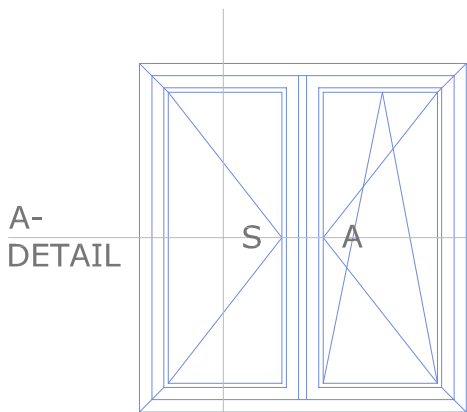
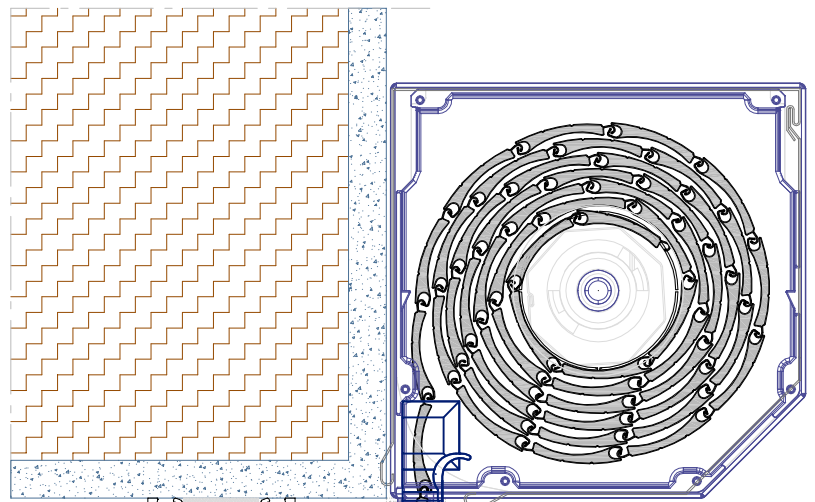
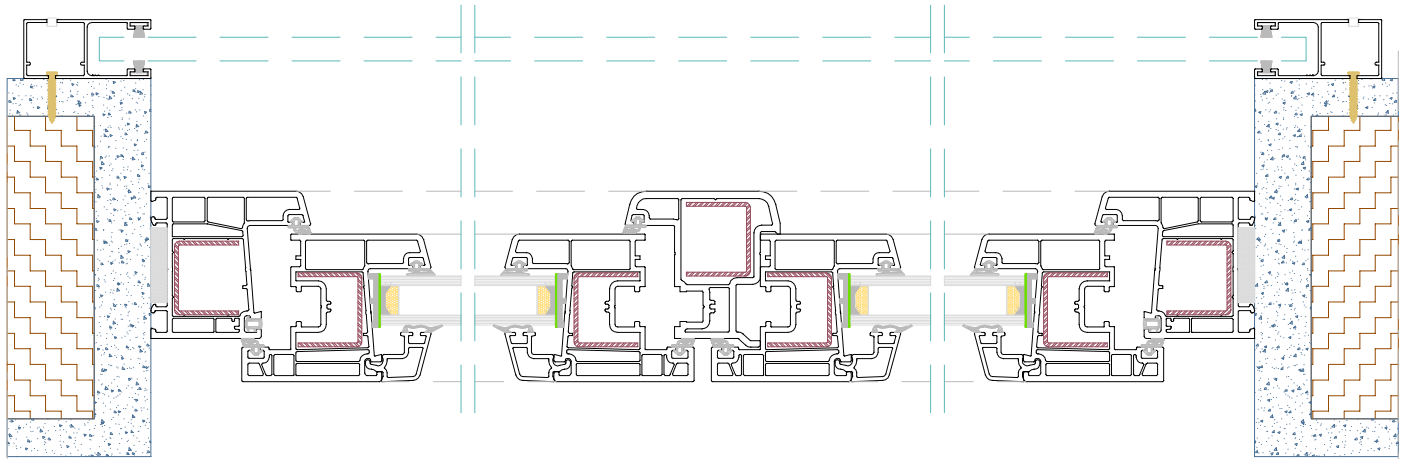
TECHNICAL CATALOG



B-  
DETAIL

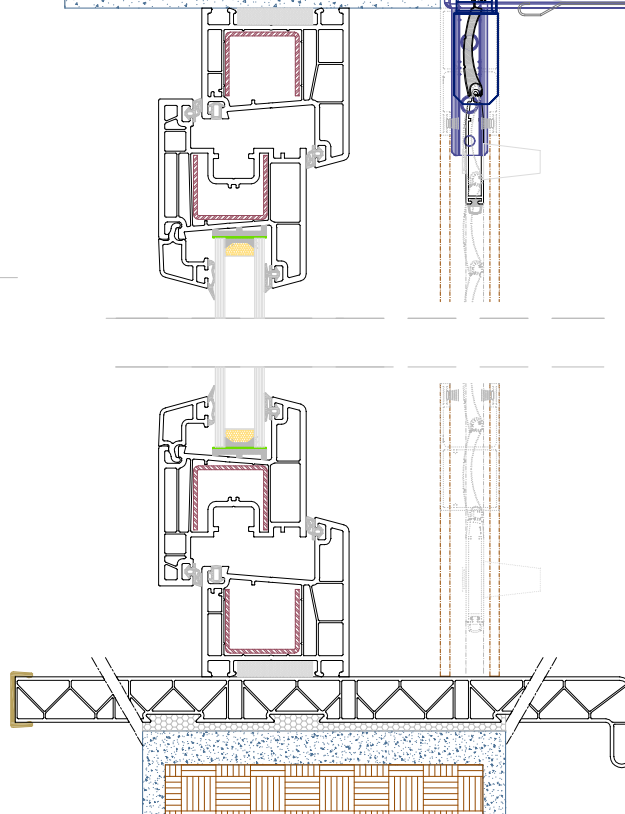


TECHNICAL CATALOG

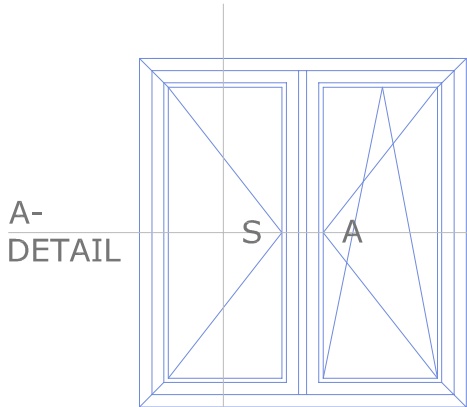
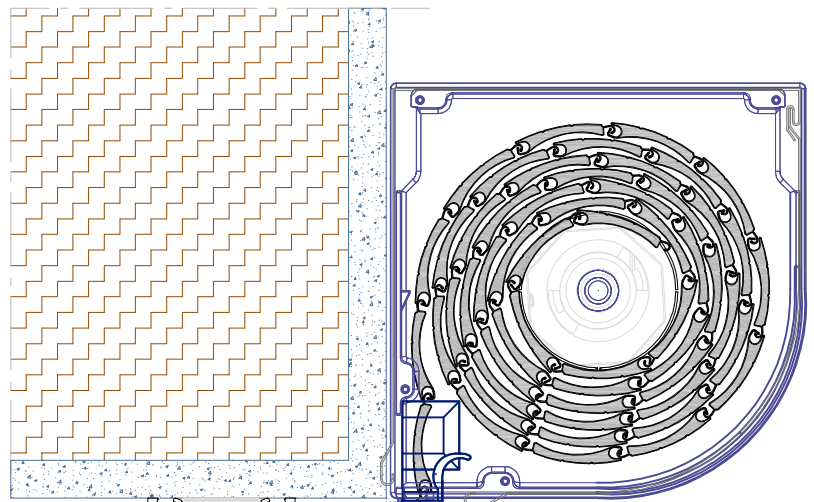
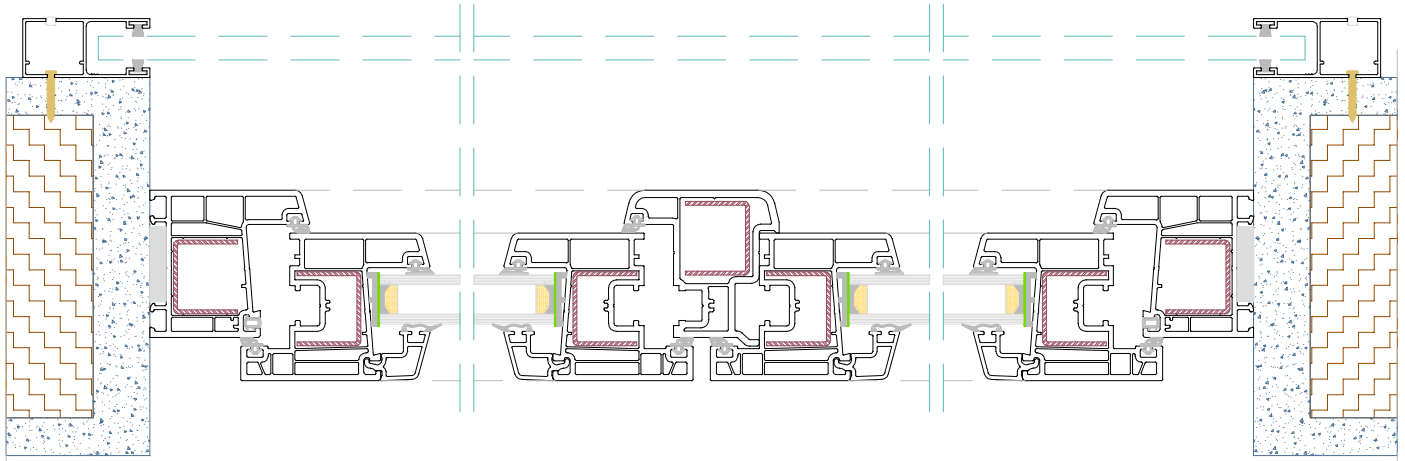


A-  
DETAIL

B-  
DETAIL

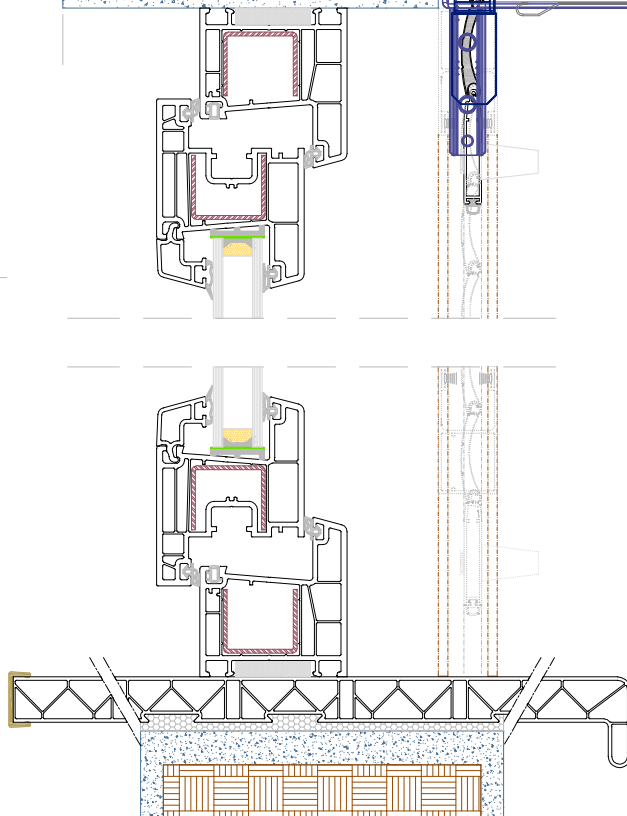


TECHNICAL CATALOG

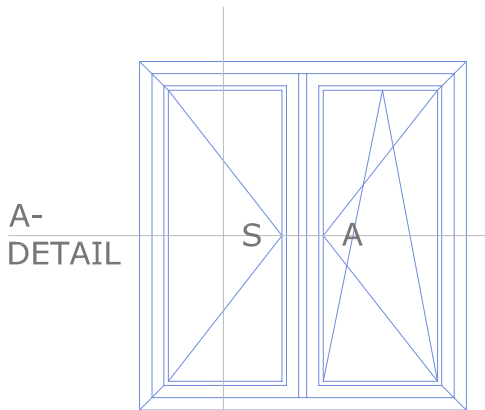
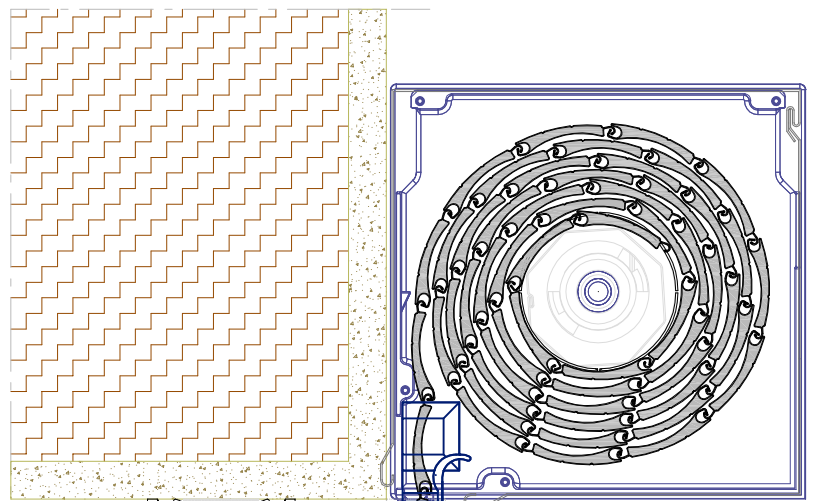
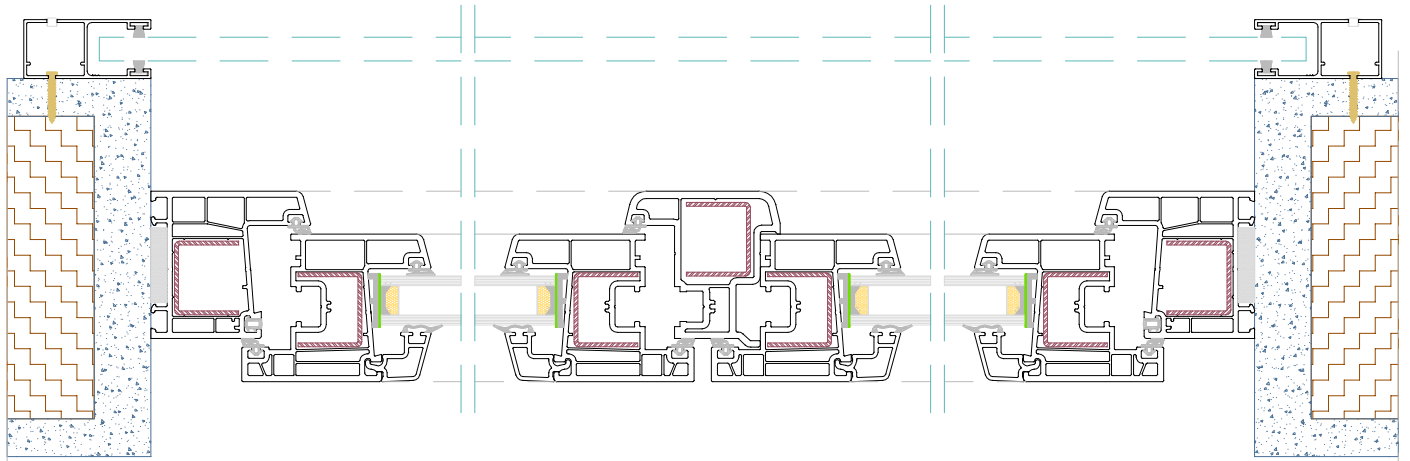


A-  
DETAIL

B-  
DETAIL



TECHNICAL CATALOG



A-  
DETAIL

B-  
DETAIL

