

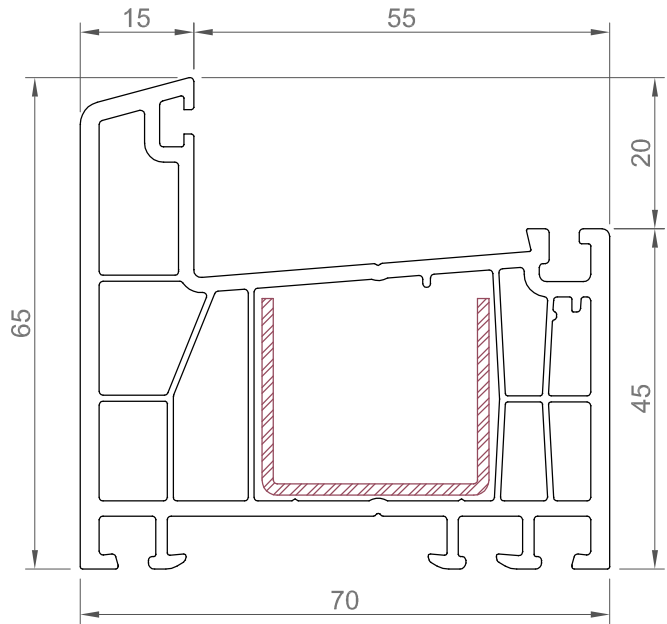
# TECHNICAL CATALOG

# PLATINUM 7005

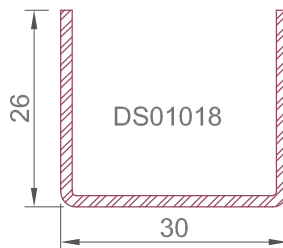
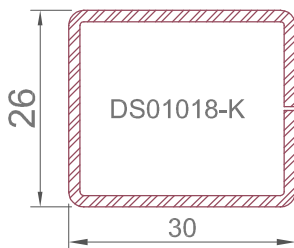
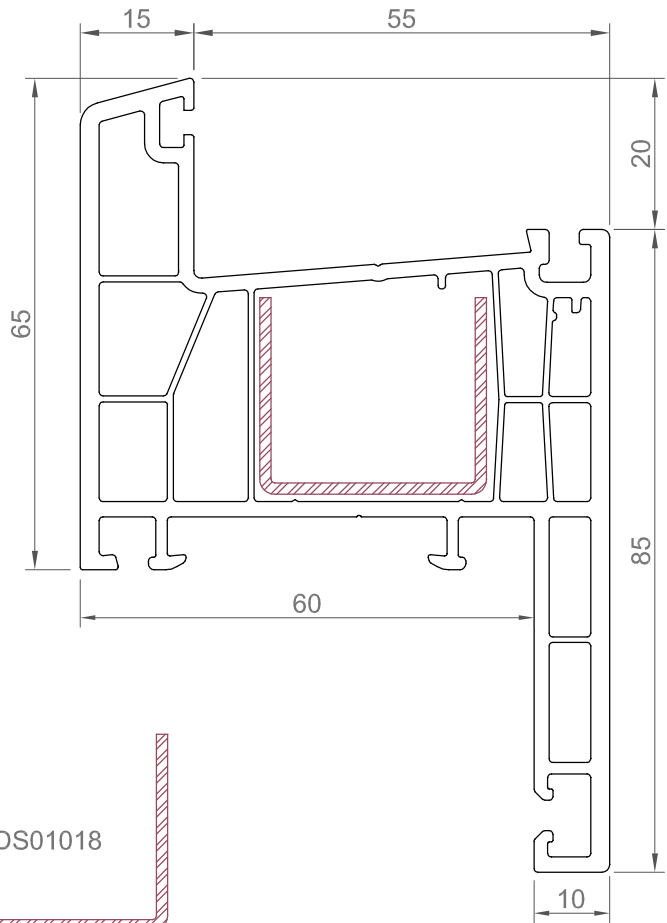
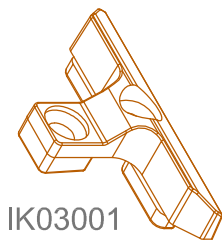


**TECHNICAL CATALOG**

|                           |            |             |
|---------------------------|------------|-------------|
| 5 CHAMBERED FRAME PROFILE |            |             |
| 7501 EU-B                 | 1.146 kg/m |             |
| U-Reinforcement steel     | Thickness  | Weight-kg/m |
| DS01018                   | 1.25mm     | 0.774       |
| 30x26                     | 1.50mm     | 0.918       |
|                           | 2.00mm     | 1.212       |
| Box Reinforcement steel   | Thickness  | Weight-kg/m |
| DS01018-K                 | 1.50mm     | 1.217       |
| 30x26                     | 2.00mm     | 1.600       |

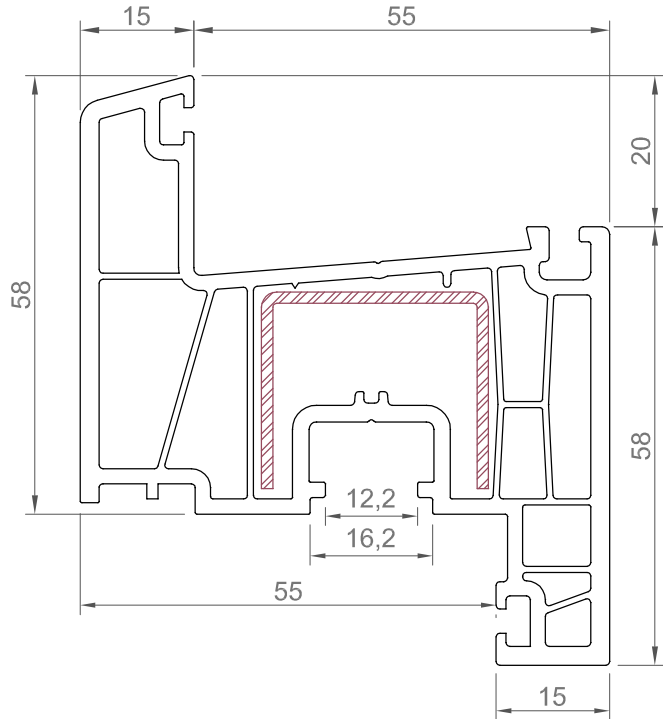


|                                   |            |
|-----------------------------------|------------|
| 5 CHAMBERED RENOVATION FRAME PRF. |            |
| 7505 EU-B                         | 1.418 kg/m |

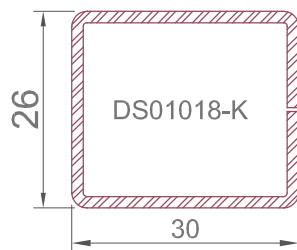
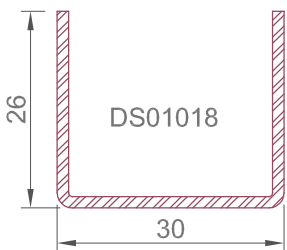
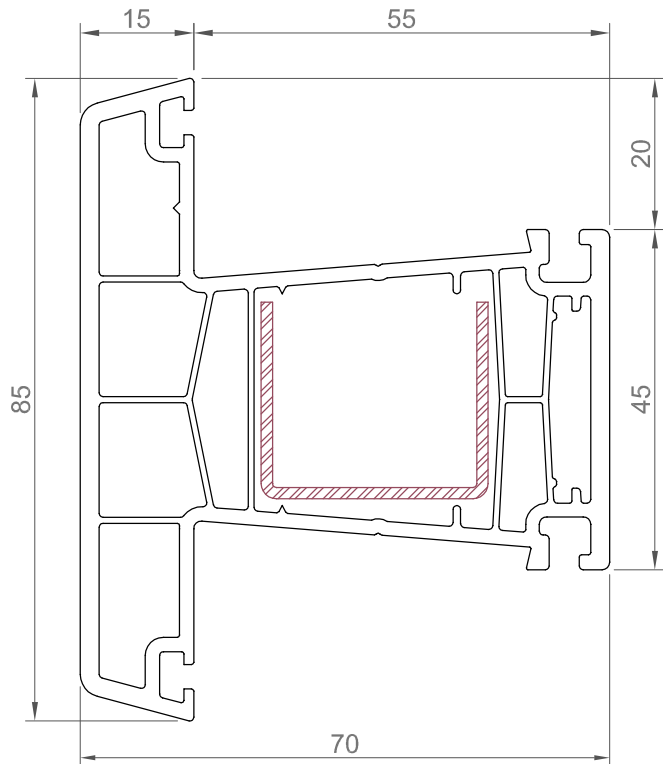
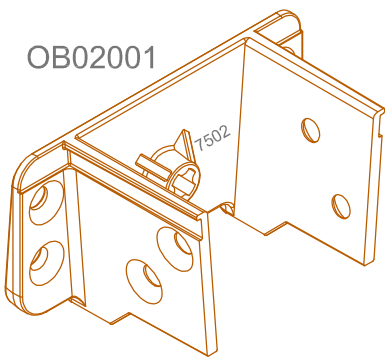


**TECHNICAL CATALOG**

| 5 CHAMBERED SASH PROFILE |            |             |
|--------------------------|------------|-------------|
| 7503 EU-B                | 1.282 kg/m |             |
| U-Reinforcement steel    | Thickness  | Weight-kg/m |
| DS01018                  | 1.25mm     | 0.774       |
| 30x26                    | 1.50mm     | 0.918       |
|                          | 2.00mm     | 1.212       |
| Box Reinforcement steel  | Thickness  | Weight-kg/m |
| DS01018-K                | 1.25mm     | 1.033       |
| 30x27                    | 1.50mm     | 1.217       |
|                          | 2.00mm     | 1.600       |

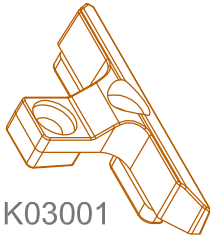
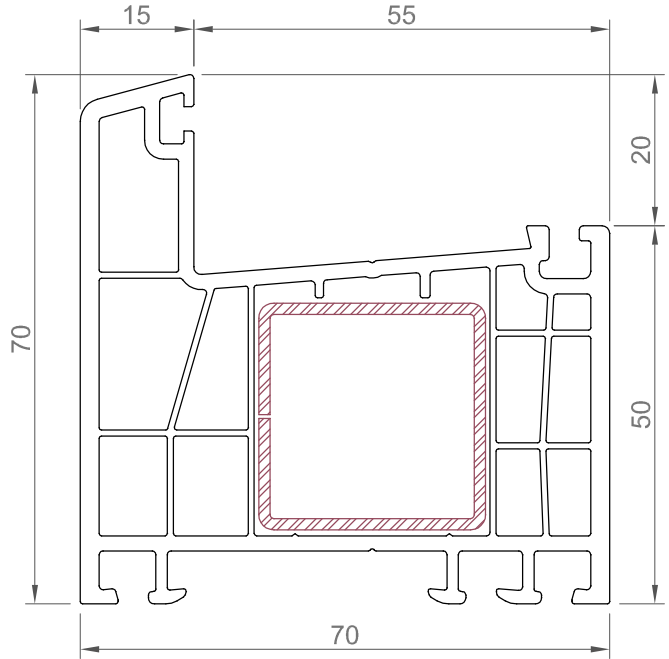


| 5 CHAMBERED MULLION PROFILE |            |
|-----------------------------|------------|
| 7502 EU-B                   | 1.252 kg/m |



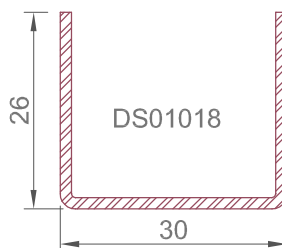
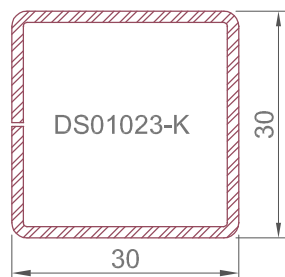
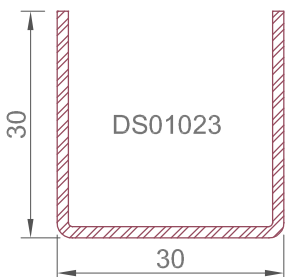
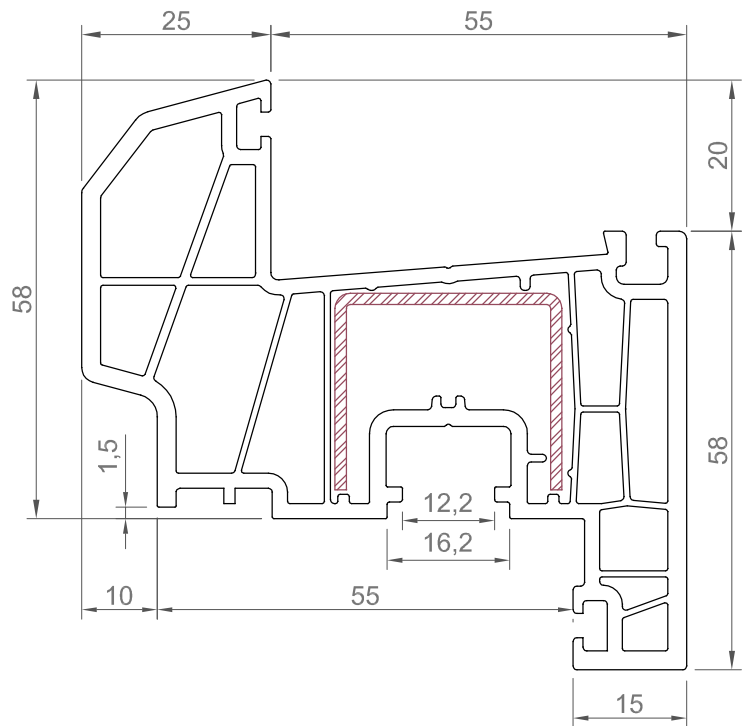
TECHNICAL CATALOG

| 5 CHAMBERED FRAME PROFILE |            |             |
|---------------------------|------------|-------------|
| 7506 EU-B                 | 1.235 kg/m |             |
| U-Reinforcement steel     | Thickness  | Weight-kg/m |
| DS01023                   | 1.25mm     | 0.852       |
| 30x30                     | 1.50mm     | 1.012       |
|                           | 2.00mm     | 1.338       |
| Box Reinforcement steel   | Thickness  | Weight-kg/m |
| DS01023-K                 | 1.25mm     | 1.111       |
| 30x30                     | 1.50mm     | 1.312       |
|                           | 2.00mm     | 1.725       |



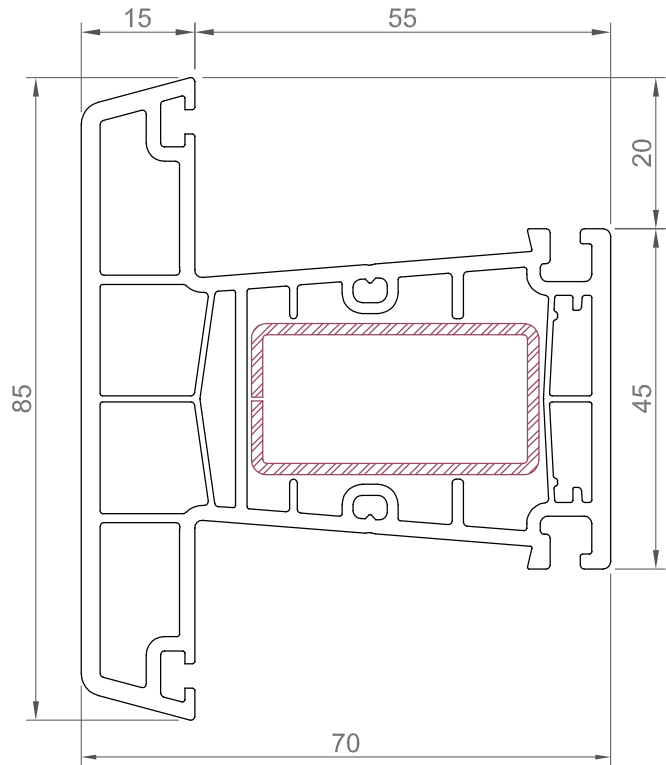
IK03001

| DROPPER SASH PROFILE  |            |             |
|-----------------------|------------|-------------|
| 7507 EU-B             | 1.402 kg/m |             |
| U-Reinforcement steel | Thickness  | Weight-kg/m |
| DS01018               | 1.25mm     | 0.774       |
| 30X26mm               | 1.50mm     | 0.918       |
|                       | 2.00mm     | 1.212       |

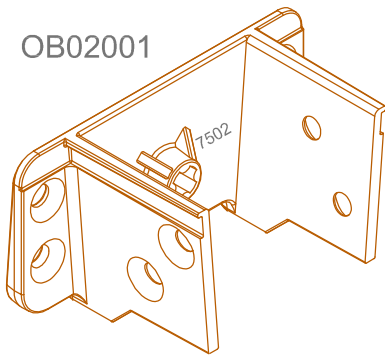


TECHNICAL CATALOG

| MULLION PROFILE         |            |             |
|-------------------------|------------|-------------|
| 7508 EU-B               | 1.338 kg/m |             |
| U-Reinforcement steel   | Thickness  | Weight-kg/m |
| DS01068                 | 1.25mm     | 0.914       |
| 20x38                   | 1.50mm     | 1.092       |
|                         | 2.00mm     | 1.432       |
| Box Reinforcement steel | Thickness  | Weight-kg/m |
| DS01068-K               | 1.25mm     | 1.072       |
| 20x38                   | 1.50mm     | 1.270       |
|                         | 2.00mm     | 1.653       |

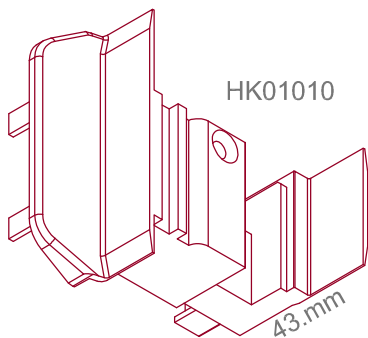
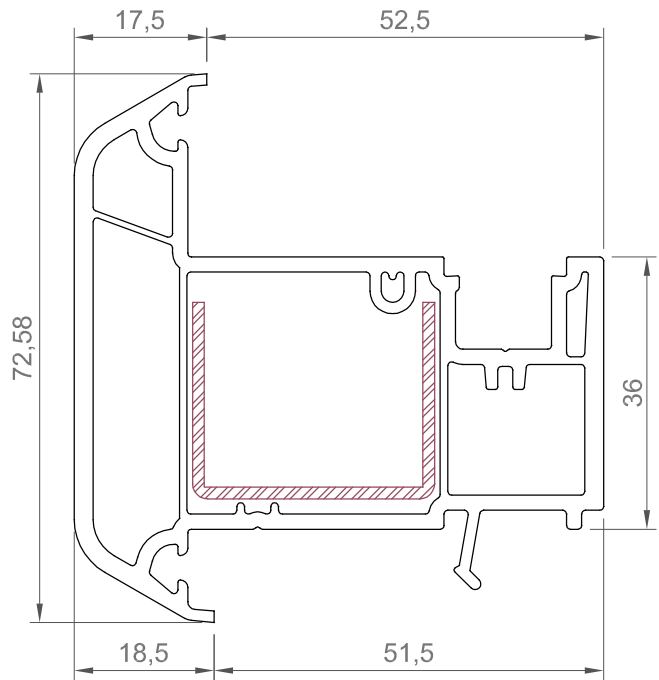


OB02001

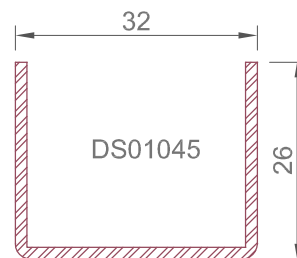
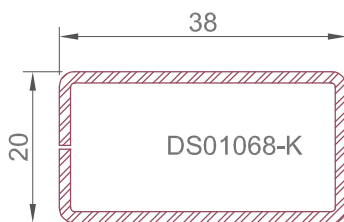
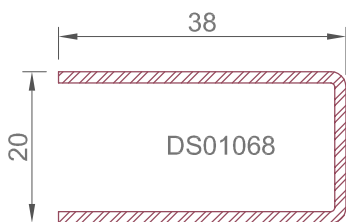


IK03001

| REBATE REVERSER PROFILE |            |             |
|-------------------------|------------|-------------|
| 7059 EU-B               | 1.088 kg/m |             |
| U-Reinforcement steel   | Thickness  | Weight-kg/m |
| DS01045                 | 1.25mm     | 0.796       |
| 32X26mm                 | 1.50mm     | 0.950       |
|                         | 2.00mm     | 1.243       |

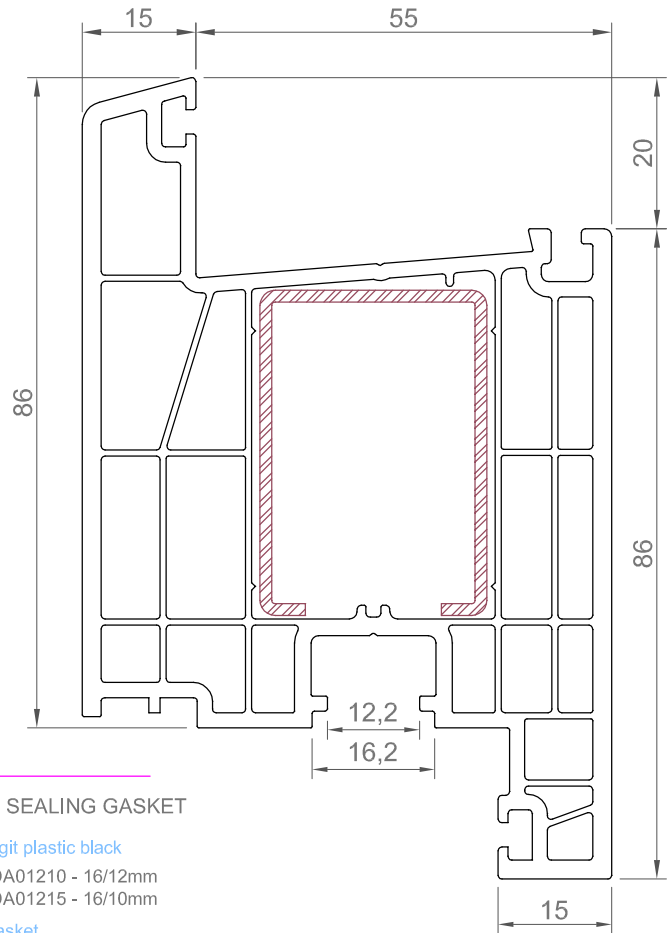


HK01010



**TECHNICAL CATALOG**

| INWARD OPENING DOOR SASH PROFILE |            |             |
|----------------------------------|------------|-------------|
| 7504 EU-B                        | 1.688 kg/m |             |
| U-Reinforcement steel            | Thickness  | Weight-kg/m |
| DS01048                          | 1.25mm     | 1.200       |
| 30x43x6                          | 1.50mm     | 1.430       |
|                                  | 2.00mm     | 1.859       |
| Box Reinforcement steel          | 1.25mm     | 1.308       |
| DS01048-K                        | 1.50mm     | 1.547       |
| 30x40,5                          | 2.00mm     | 2.039       |



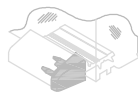
**ALUM. DRAINER FOR DOOR SASH**

- 05DA01209 - Anodised
- 05DA01213 - RAL 9016
- 05DA01214 - Dark brown

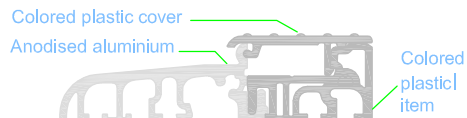


**ALUM. DRAINER CAPS.**

- 05DA01217 -White caps
- 05DA01218 -Grey caps
- 05DA01219 -Dark brown caps



**70mm ISOLATED ALUM. THRESHOLD**



- 05DA01207 - Alm. threshold with black cap
- 05DA01208 - Alm. threshold with grey cap
- 05DA01211 - Alm. threshold with white cap

**ISOLATED ALUMINIUM THRESHOLD (WITH GEAR SECURITY STRIKER CANAL)**

- 05DA01220 - Alum. threshold with grey cap
- 05DA0122 Security striker

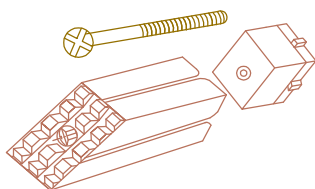
**ANODISED ALUMINIUM THRESHOLD**



- AB01015-E Anodised aluminium threshold
- AB01015-R Anodised aluminium threshold black

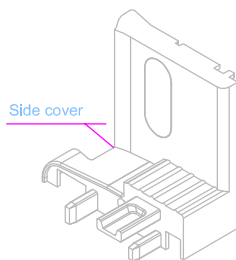


- AB01022-E Aluminium threshold with thermal break
- AB01022-R Aluminium threshold with thermal break

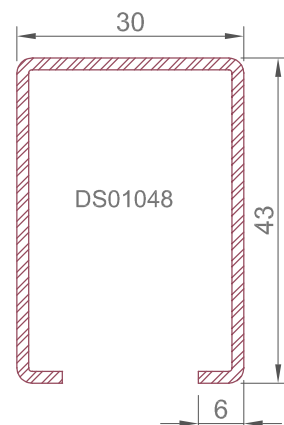
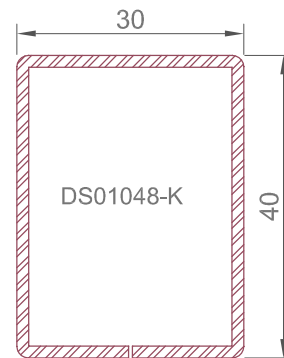


- DOOR CORNER WOODEN WEDGE**  
KT01004-26x39 DS01048  
KT01005-26x36 DS01048-K

**THRESHOLD SEALING GASKET**

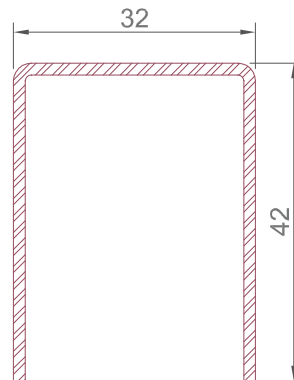
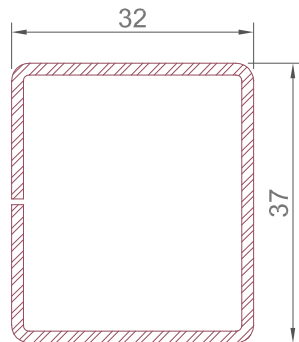
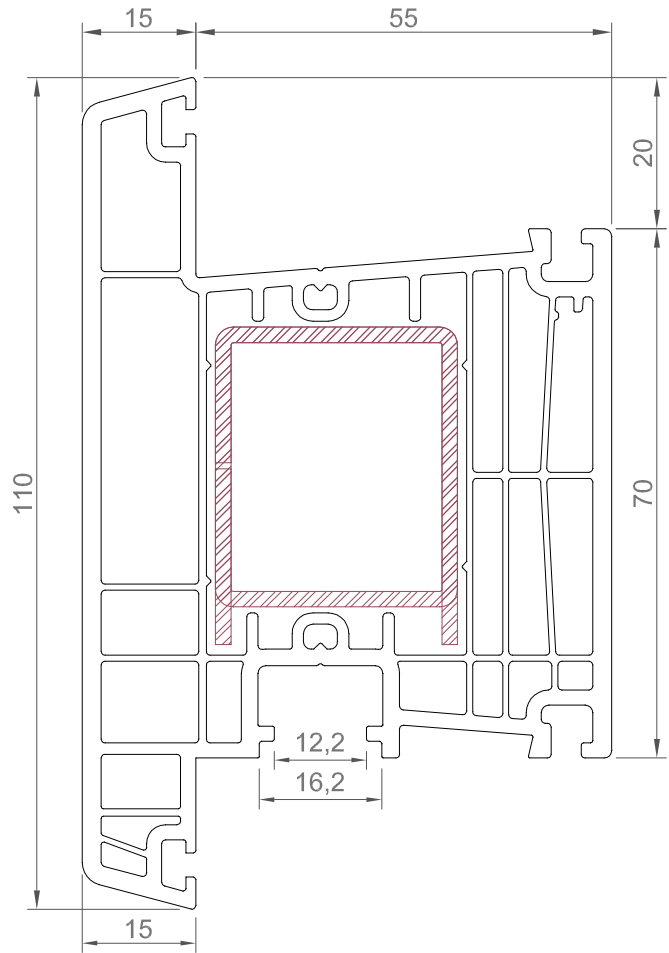
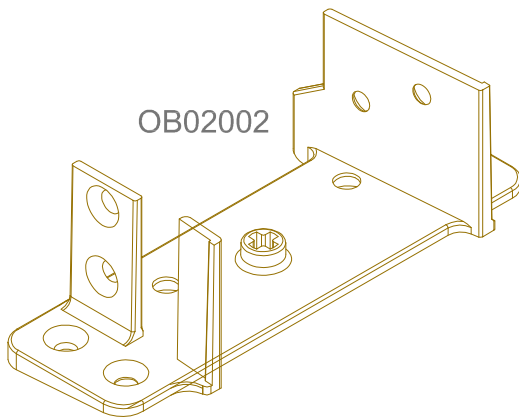


- THRESHOLD CAPS-LEFT&RIGHT**  
EK01005-7051&7052-L&R-White  
EK01005R-7051&7052-L&R-Coloured



TECHNICAL CATALOG

| OUTWARD OPENING DOOR SASH PROFILE |            |             |
|-----------------------------------|------------|-------------|
| 7509 EU-B                         | 1.862 kg/m |             |
| U-Reinforcement steel             | Thickness  | Weight-kg/m |
| DS01073                           | 1.25mm     | 1.110       |
| 32x42                             | 1.50mm     | 1.327       |
|                                   | 2.00mm     | 1.746       |
| Box Reinforcement steel           | Thickness  | Weight-kg/m |
| DS01074-K                         | 1.50mm     | 1.529       |
| 32x37                             | 2.00mm     | 1.998       |

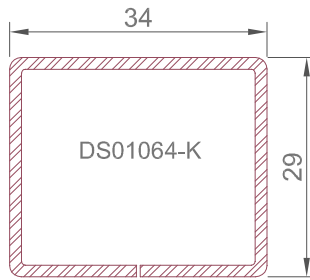
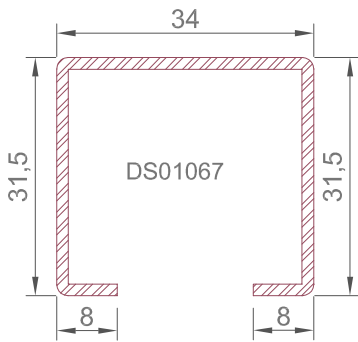
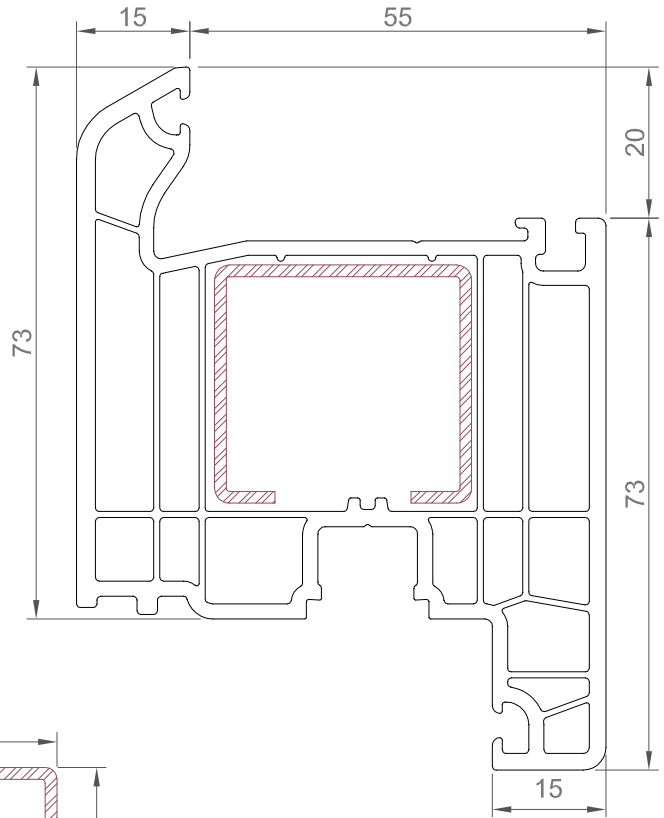


**TECHNICAL CATALOG**

FRENCH DOOR SASH PROFILE

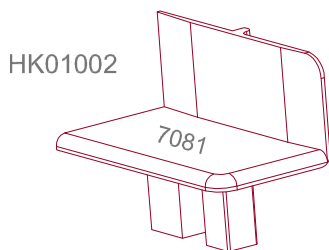
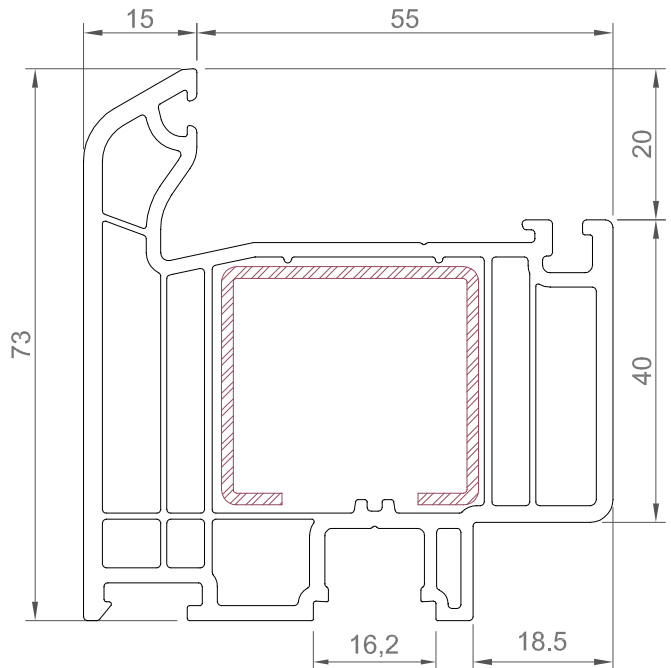
7084 ECO 1.438 kg/m

| Reinforcement steel                           | Thickness | Weight-kg/m |
|---|-----------|-------------|
| DS01067<br>34x31,5x8                          | 1.25mm    | 1.053       |
|   | 1.50mm    | 1.253       |
|   | 2.00mm    | 1.623       |
| Box Reinforcement steel<br>DS01064-K<br>34x29 | 1.25mm    | 1.160       |
|   | 1.50mm    | 1.370       |
|   | 2.00mm    | 1.804       |



FRENCH ADAPTER DOOR SASH PROFILE

7085 ECO 1.234 kg/m



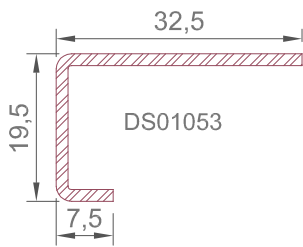
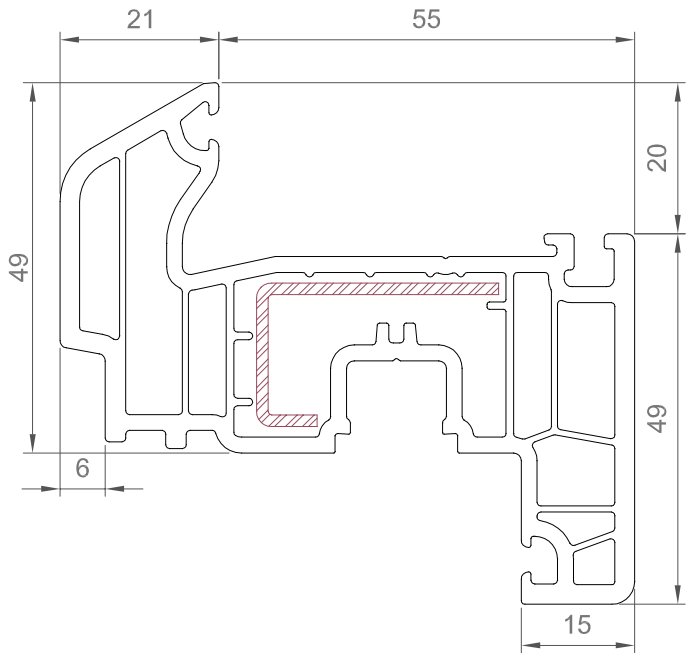


**TECHNICAL CATALOG**

FRENCH SERIES SASH PROFILE

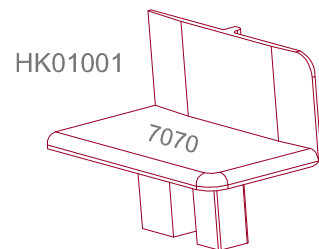
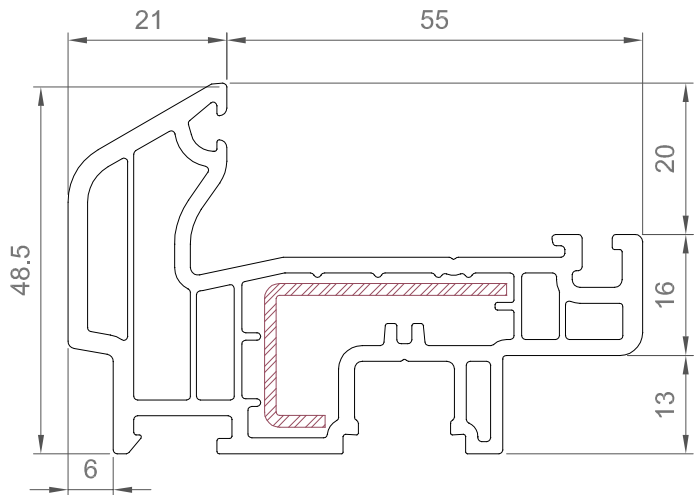
7065 EU-B                      1.259 kg/m

| Reinforcement steel | Thickness | Weight-kg/m |
|---------------------|-----------|-------------|
| DS01053             | 1.25mm    | 0.556       |
|                     | 1.50mm    | 0.662       |
|                     | 2.00mm    | 0.859       |



FRENCH ADAPTER SASH PROFILE

7070 EU-B                      1.024 kg/m



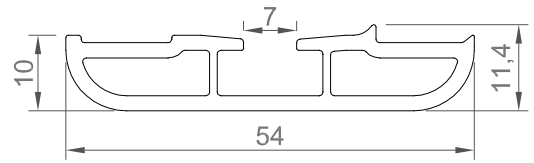
TECHNICAL CATALOG

HK01001

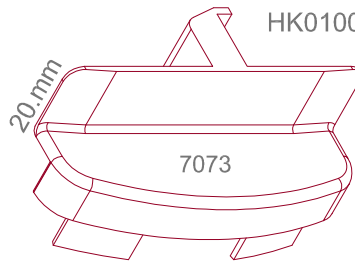


INSIDE SASH COVER

7072 0.326 kg / m

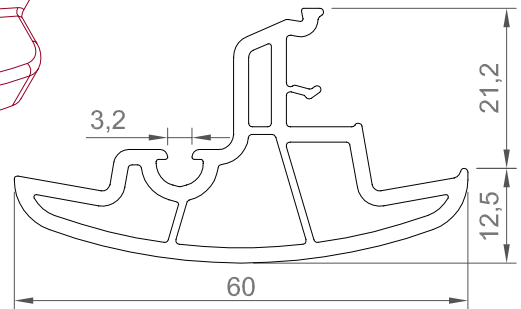


HK01001



OUTSIDE SASH COVER

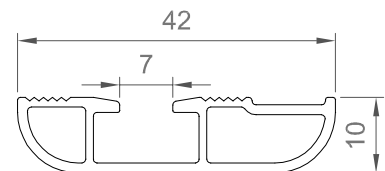
7073 0.546 kg / m



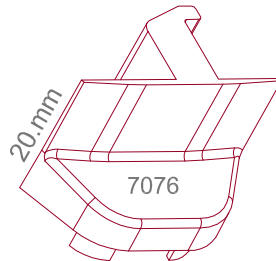
INSIDE SASH COVER

7075 0.184 kg / m

HK01002

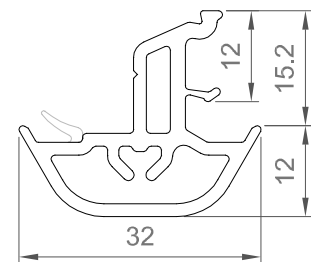


HK01002



OUTSIDE SASH COVER

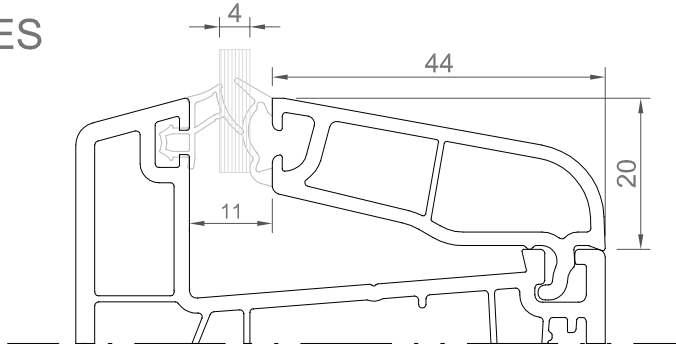
7076 0.292+0.013= 0.305 kg / m



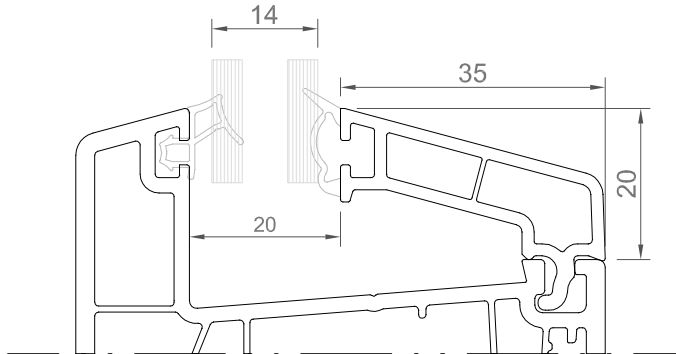
**TECHNICAL CATALOG**

**GLAZING BEAD CLEARANCES**

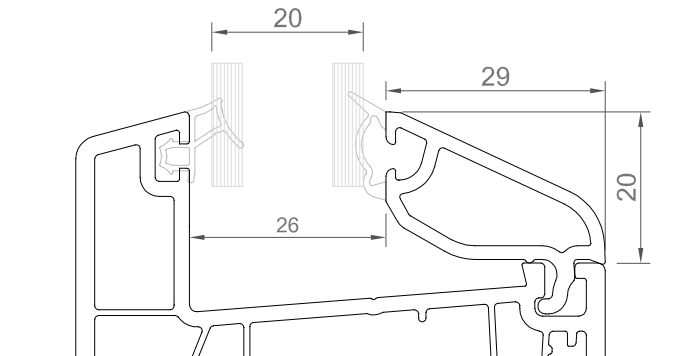
|                           |                          |
|---------------------------|--------------------------|
| SINGLE GLAZING BEAD - 4mm |                          |
| 7074                      | $0.328+0.027=0.355$ kg/m |



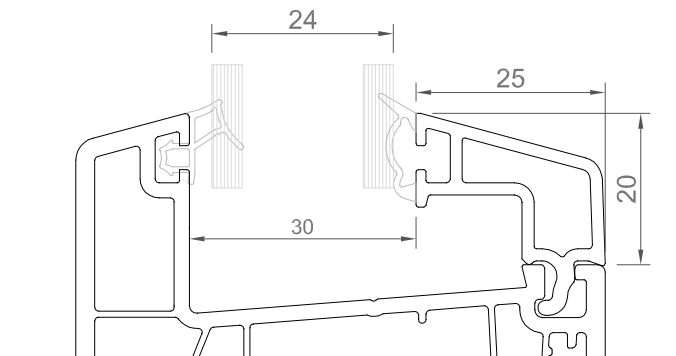
|                            |                          |
|----------------------------|--------------------------|
| DOUBLE GLAZING BEAD - 14mm |                          |
| 6306                       | $0.243+0.027=0.270$ kg/m |



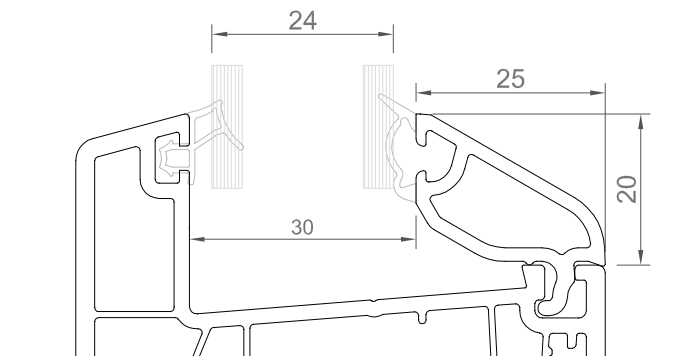
|                            |                          |
|----------------------------|--------------------------|
| DOUBLE GLAZING BEAD - 20mm |                          |
| 7088                       | $0.231+0.027=0.258$ kg/m |



|                            |                          |
|----------------------------|--------------------------|
| DOUBLE GLAZING BEAD - 24mm |                          |
| 7094                       | $0.210+0.027=0.237$ kg/m |



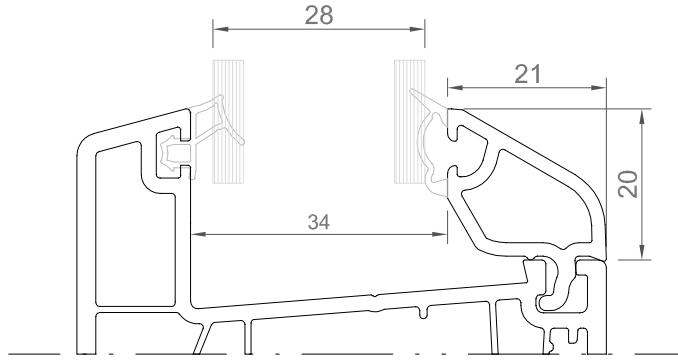
|                            |                          |
|----------------------------|--------------------------|
| DOUBLE GLAZING BEAD - 24mm |                          |
| 7062                       | $0.210+0.027=0.237$ kg/m |



TECHNICAL CATALOG

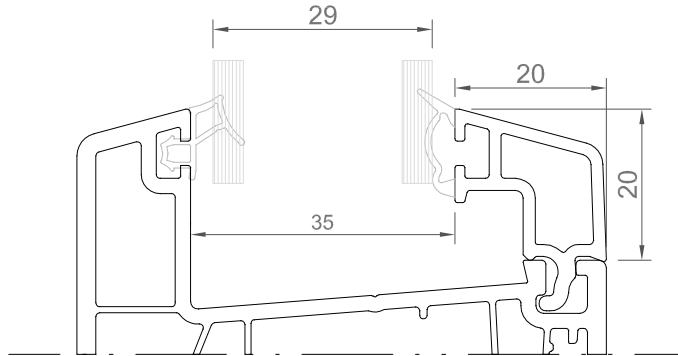
DOUBLE GLAZING BEAD - 28mm

7064  $0.196+0.027=0.223$  kg/m



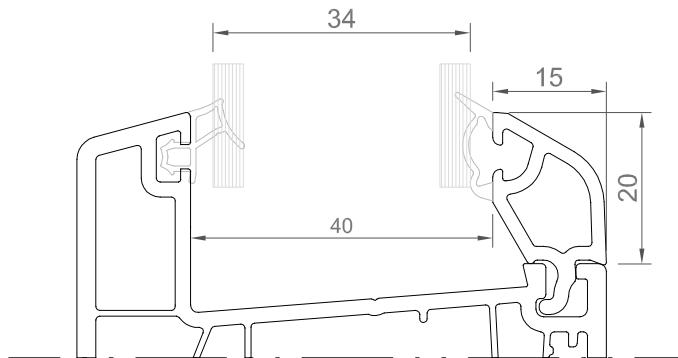
DOUBLE GLAZING BEAD - 29mm

6307  $0.185+0.027=0.212$  kg/m



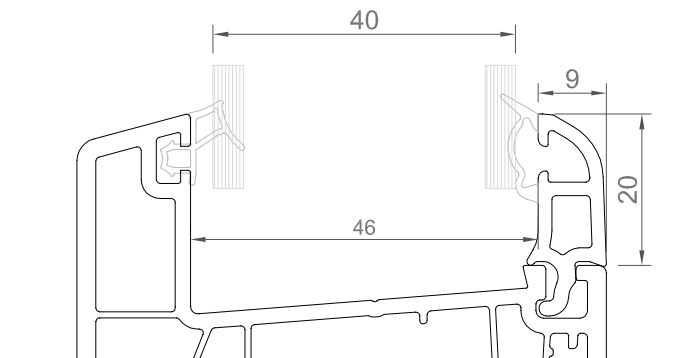
TRIPLE GLAZING BEAD - 34mm

7063  $0.172+0.027=0.199$  kg/m

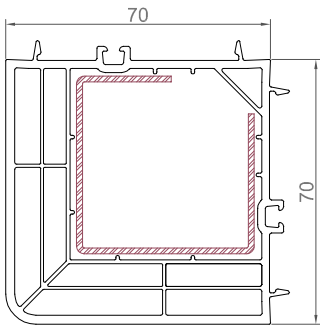


TRIPLE GLAZING BEAD - 40mm

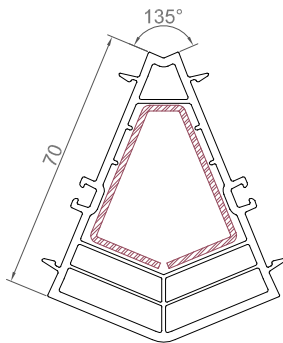
7464  $0.151+0.027=0.178$  kg/m



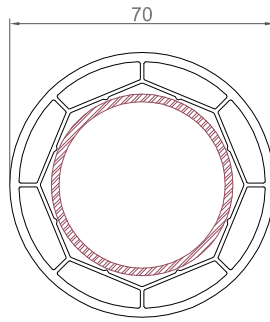
**AUXILIARY PROFILES**



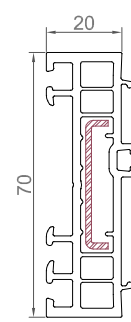
90° CORNER PROFILE  
7252 1.337 kg/m



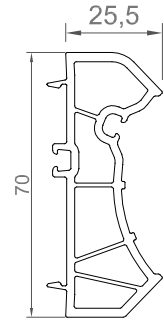
135° CORNER PROFILE  
7253 0.924 kg/m



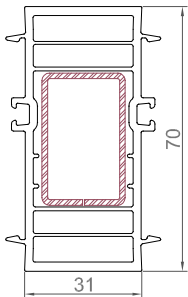
CORNER PIPE PROFILE  
7254 1.044 kg/m



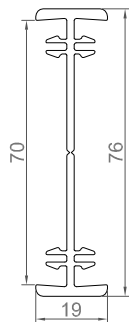
70x20 FRAME  
EXTENSION PROFILE  
7259 0.723 kg/m



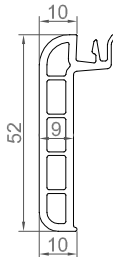
CORNER ADAPTER  
PROFILE  
7255 0.716 kg/m



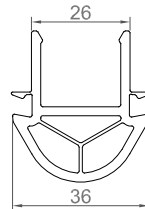
CONNECTION  
PROFILE  
7256 0.845 kg/m



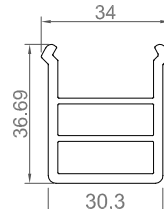
NARROW  
CONNECTION PROFILE  
7275 0.431 kg/m



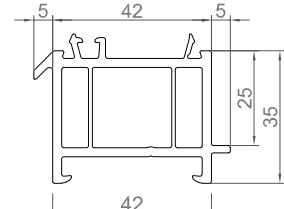
MASKING  
PROFILE  
7274 0.401 kg/m



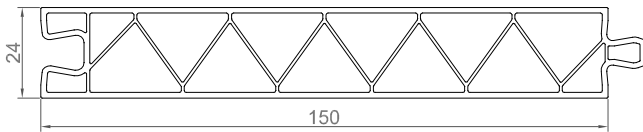
CONNECTION  
PROFILE  
7258 0.491 kg/m



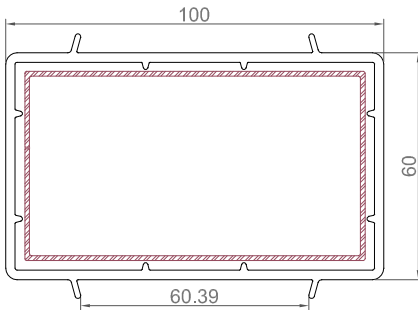
FRAME EXTENSION  
6053 0.472 kg/m



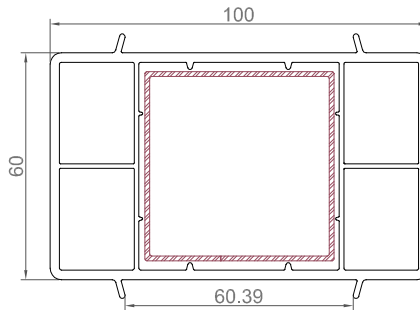
FRAME EXTENSION  
7257 0.658 kg/m



PANEL PROFILE \*150x24mm - 7251 1.135 kg/m



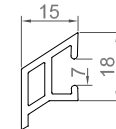
60x100 BOX PROFILE  
6052 0.986 kg/m



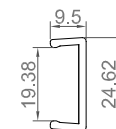
60x100 BOX PROFILE  
6051 1.148 kg/m



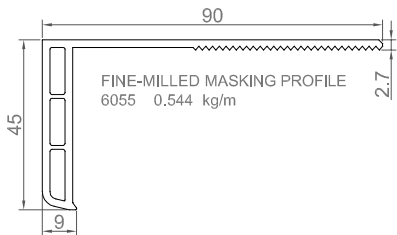
SIDE COVER  
7277-K



DROPPER PROFILE  
7277 0.159 kg/m



PROFILE FOR SILL  
7279 0.110 kg/m



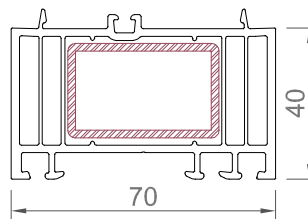
FINE-MILLED MASKING PROFILE  
6055 0.544 kg/m



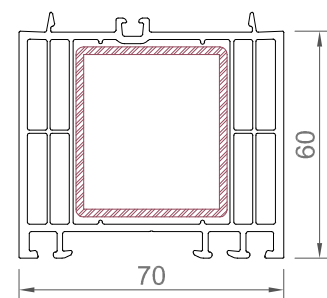
MASKING PROFILE  
6056 0.388 kg/m



THICK MASKING PROFILE  
6019 0.780 kg/m

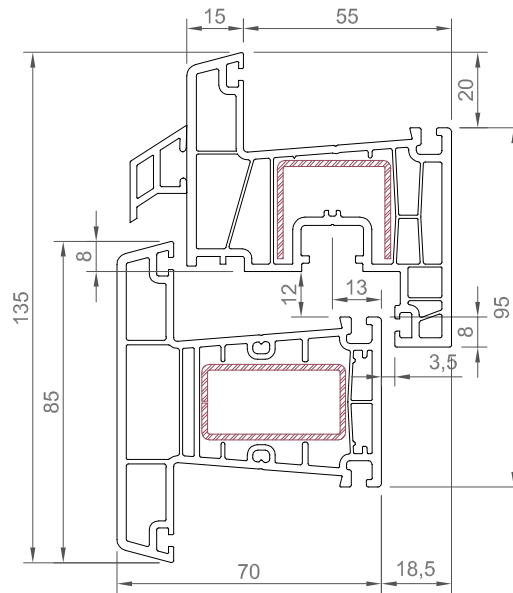
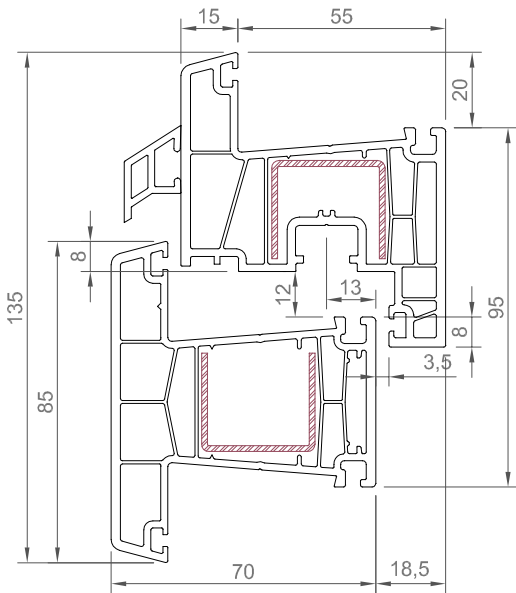
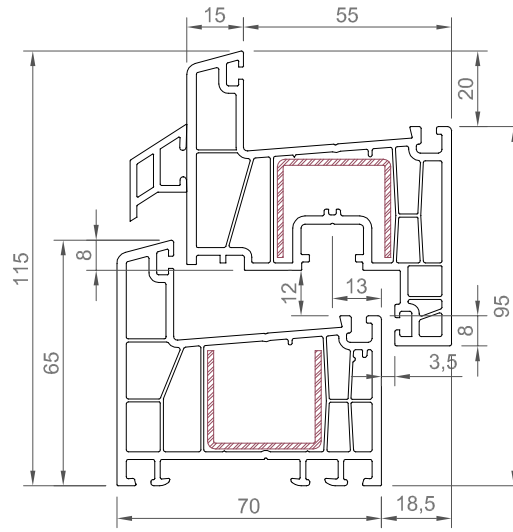
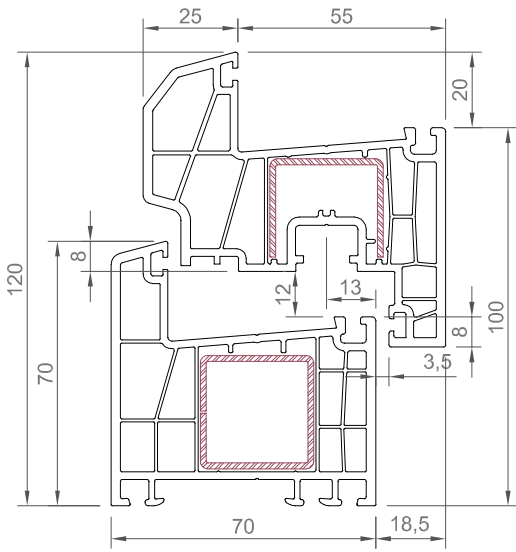


70x40mm FRAME  
EXTENSION PROFILE  
7280 0.929 kg/m

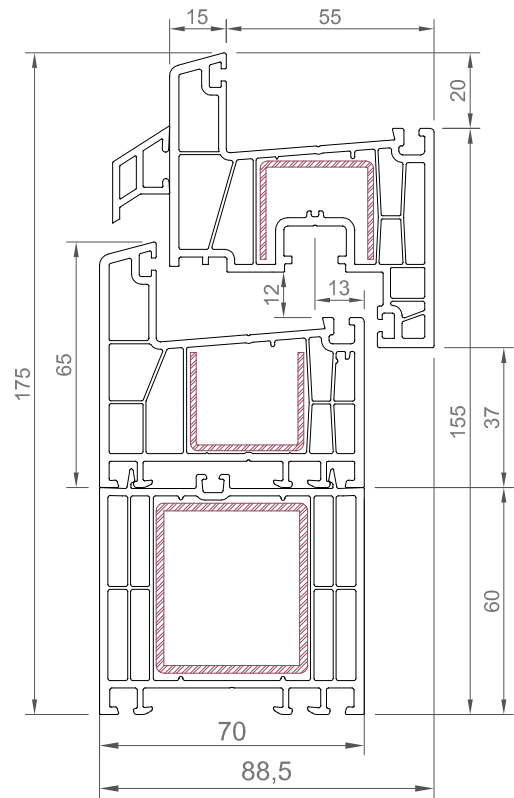
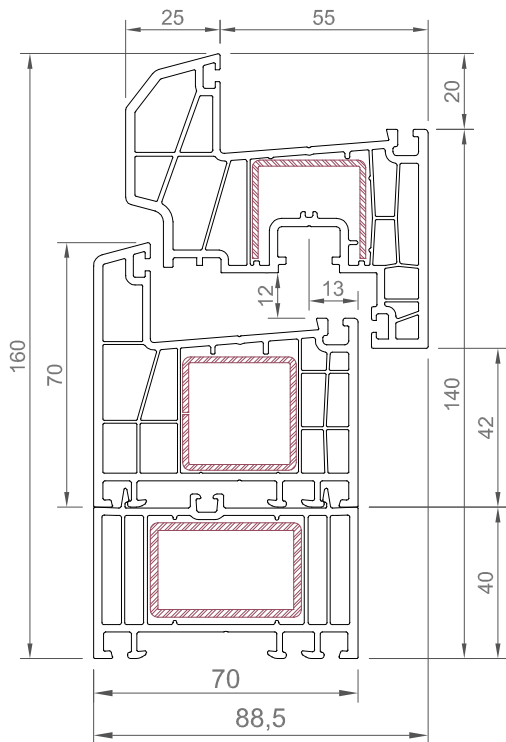
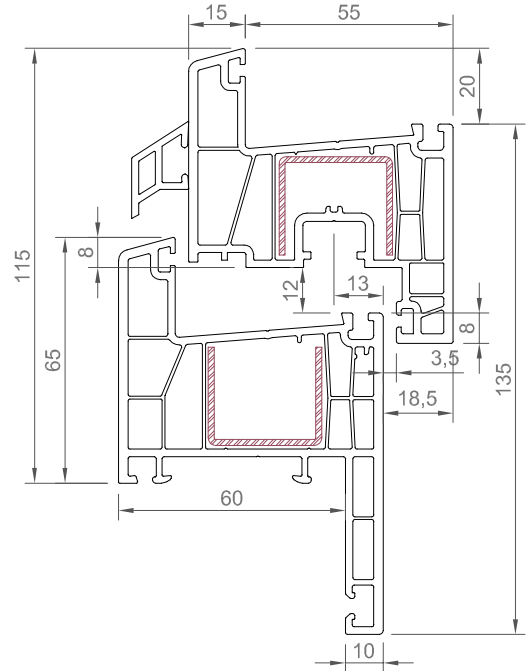
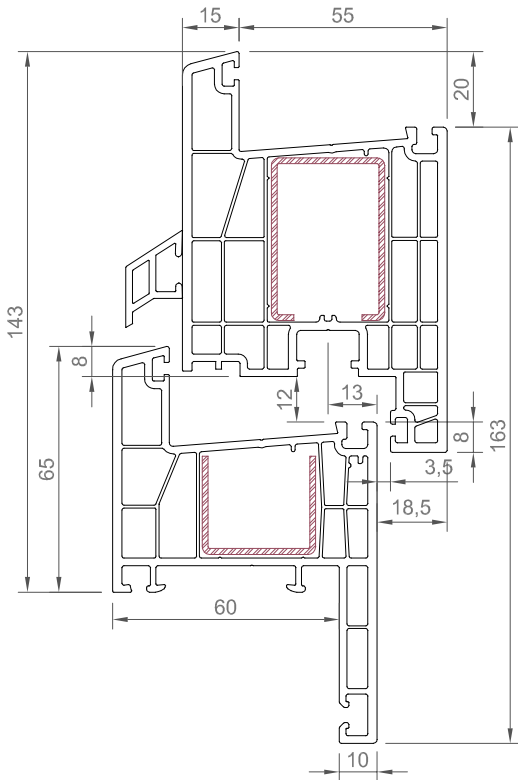


70x60mm FRAME  
EXTENSION PROFILE  
7281 1.186 kg/m

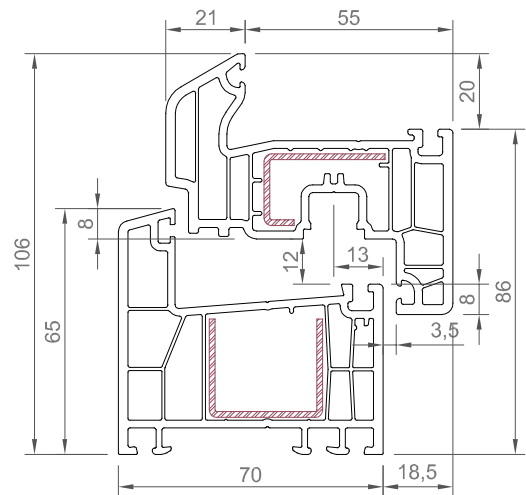
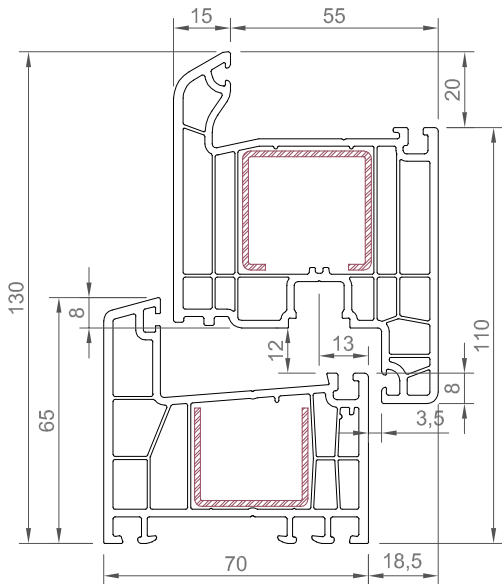
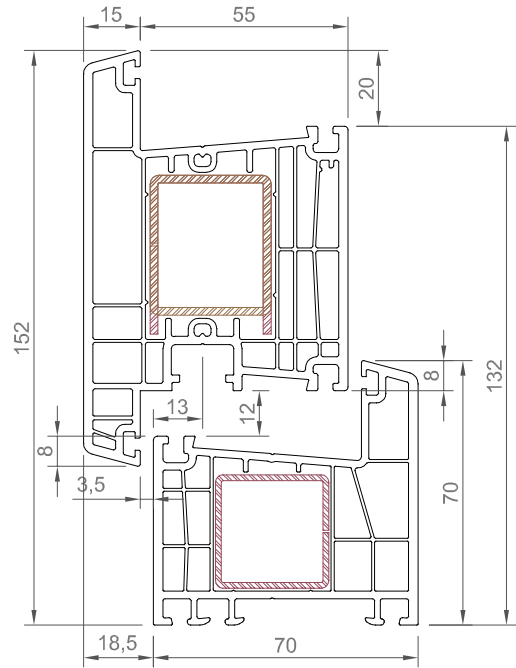
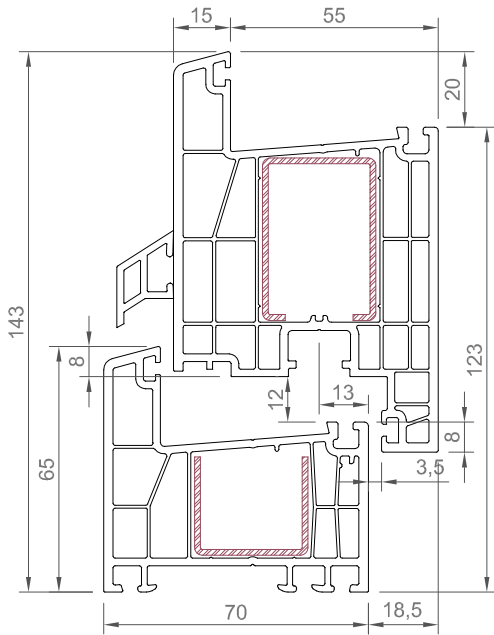
SCALED APPLICATION DETAILS



TECHNICAL CATALOG

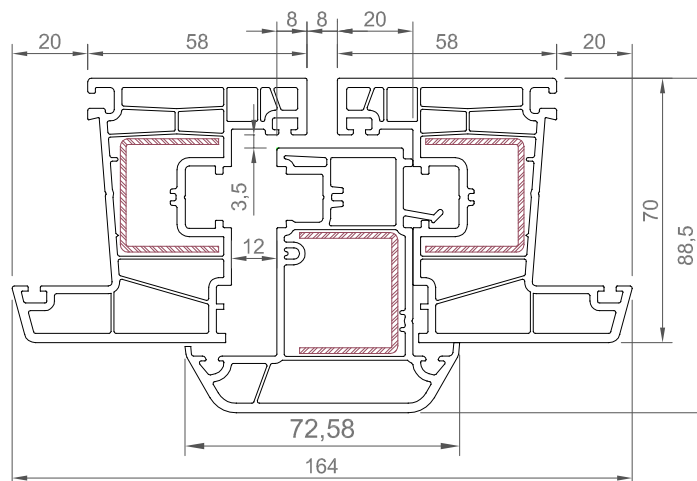
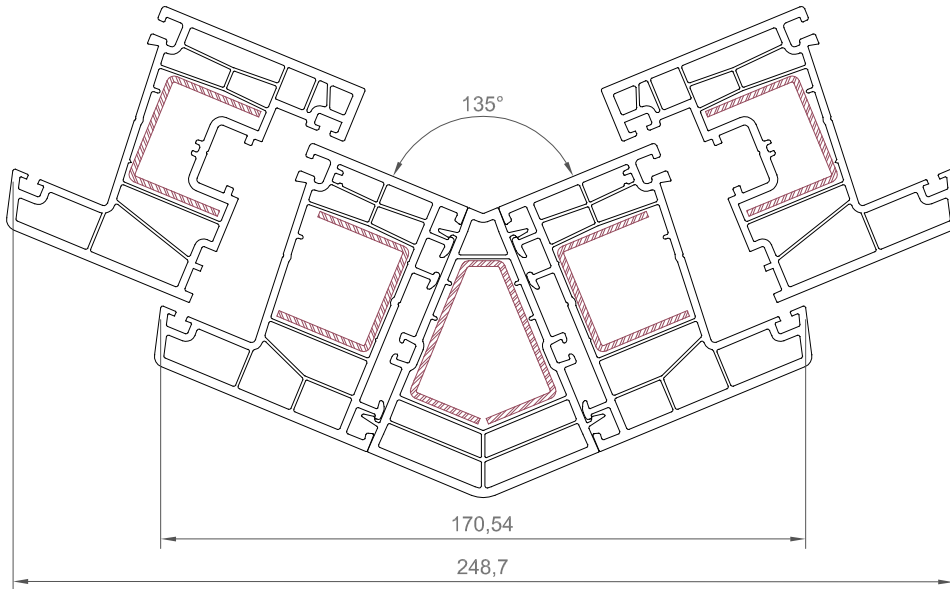
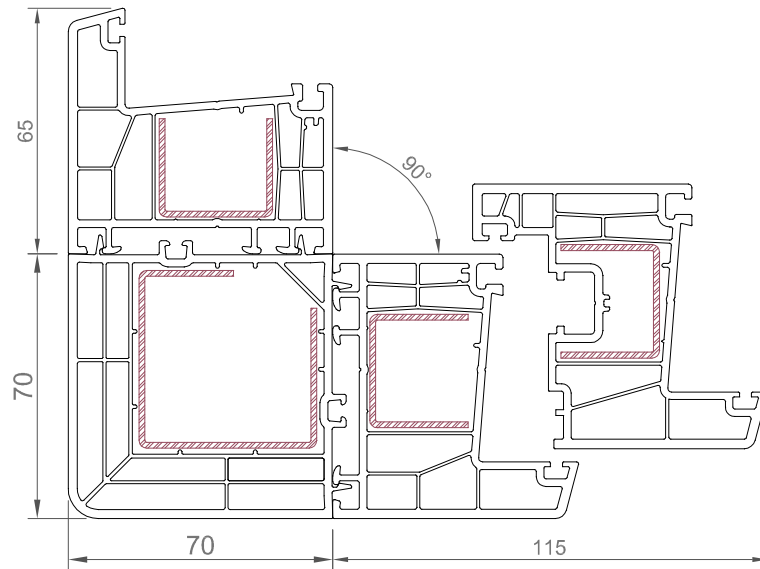


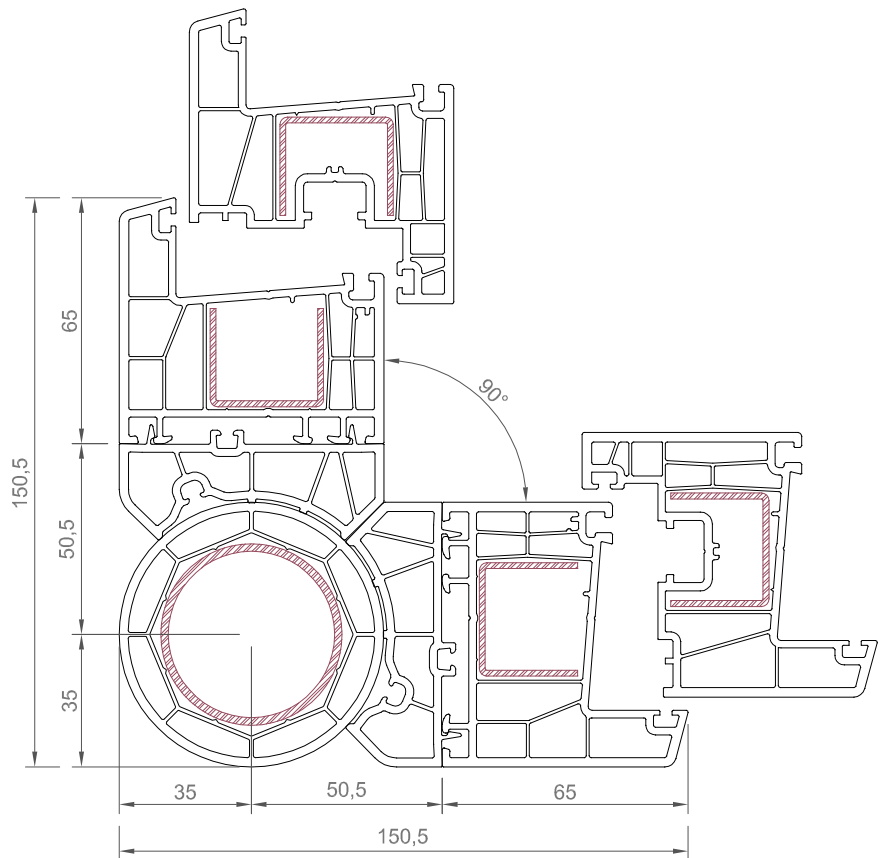
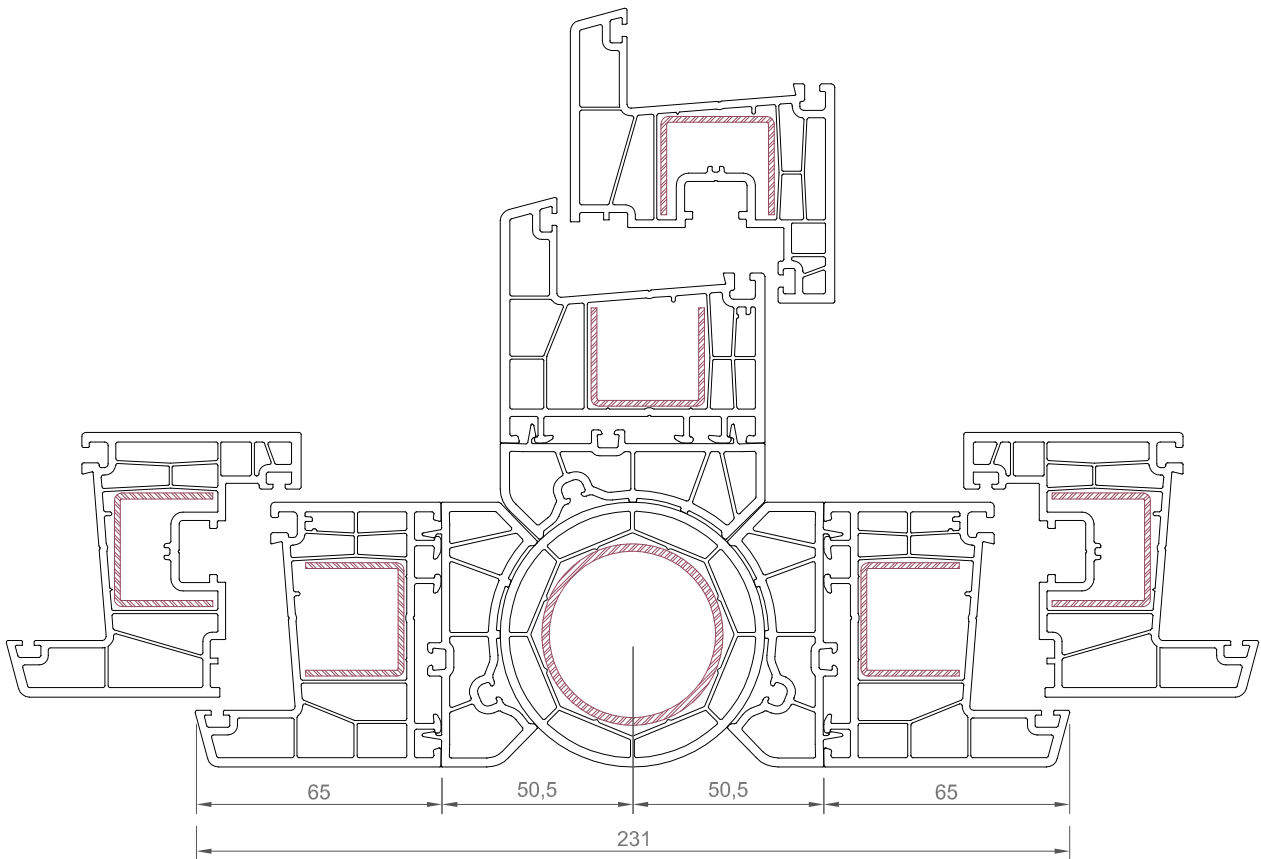
TECHNICAL CATALOG



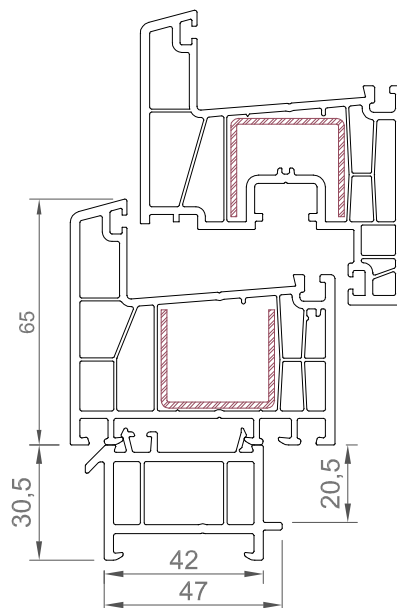
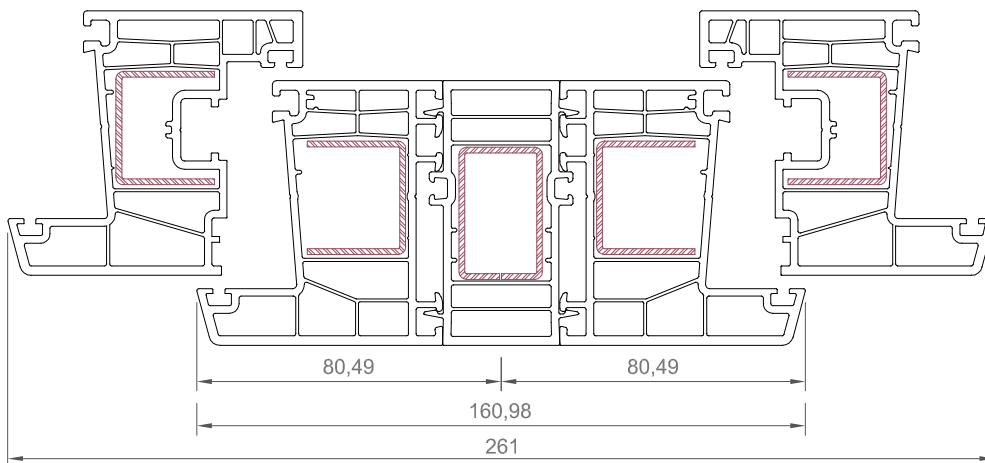
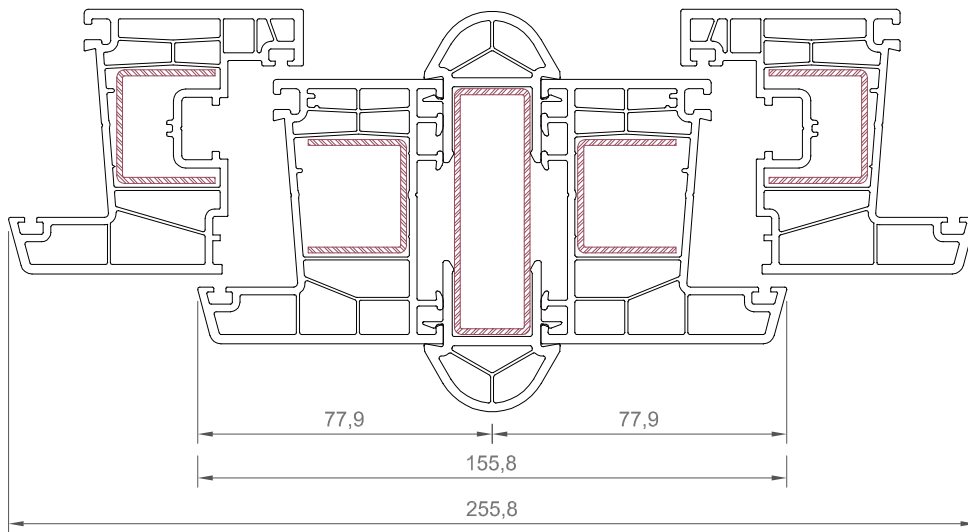


**TECHNICAL CATALOG**

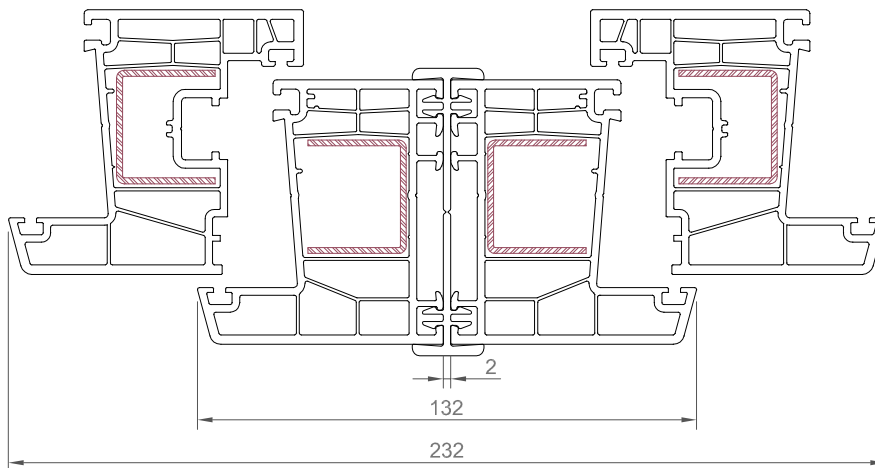
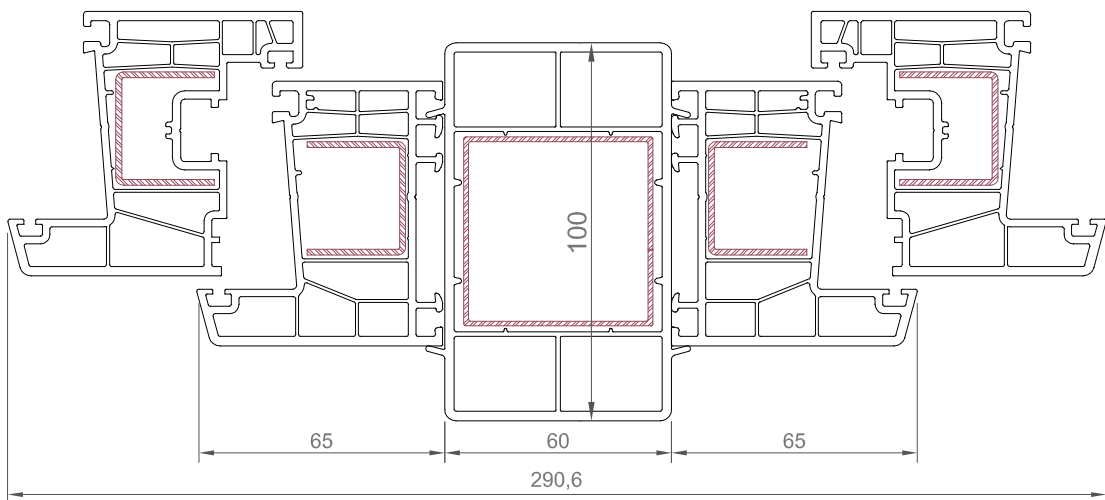
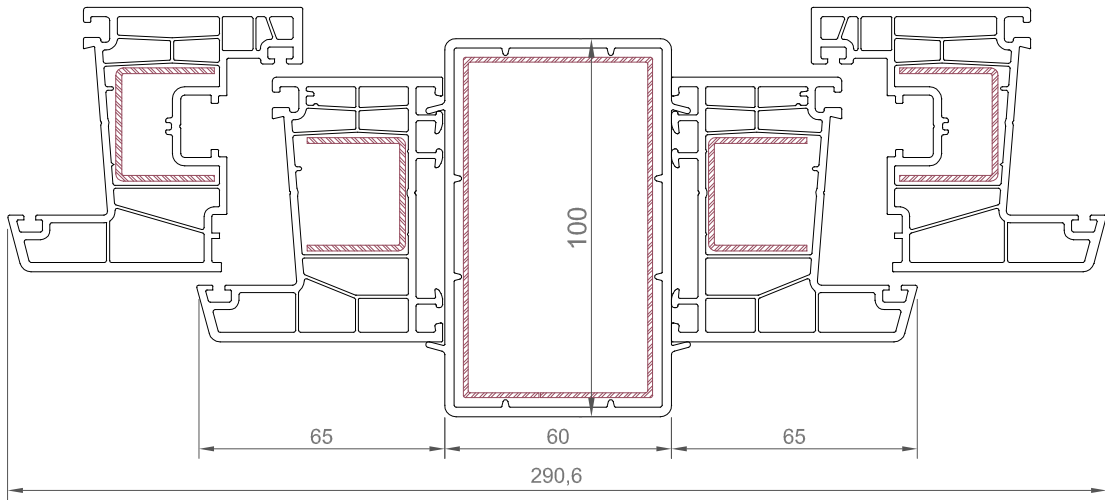




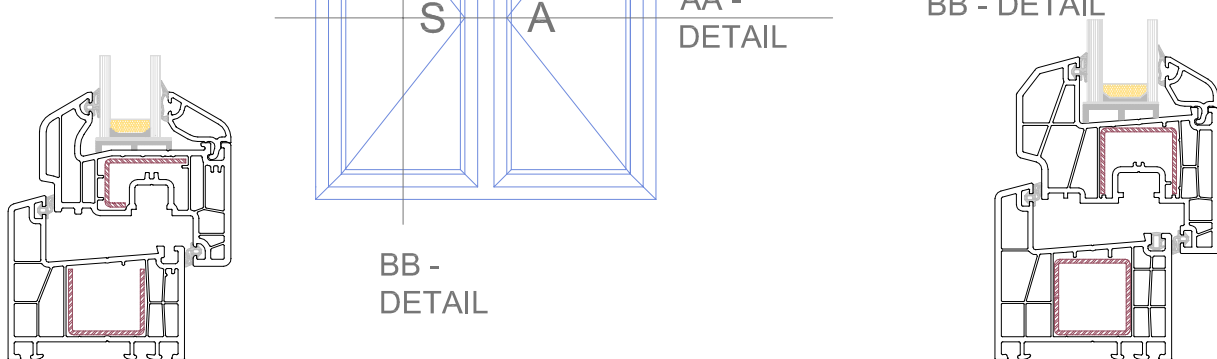
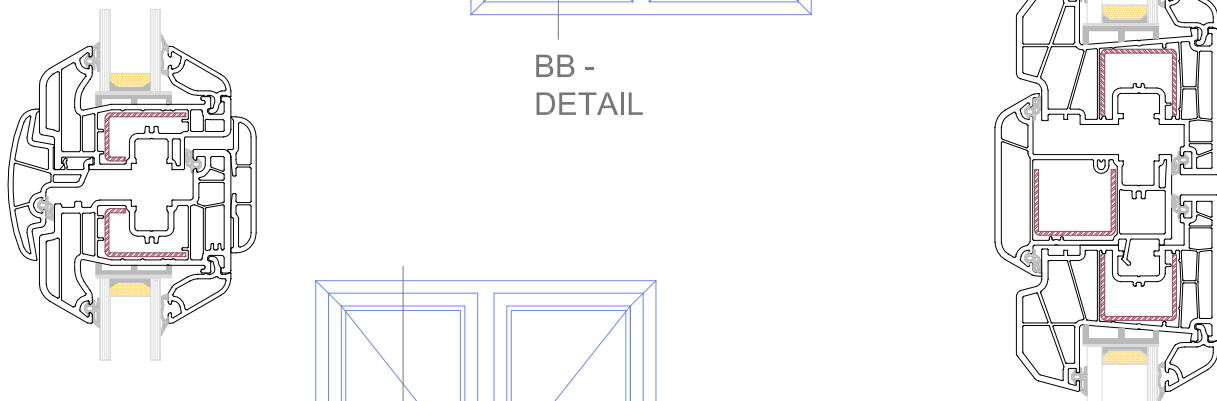
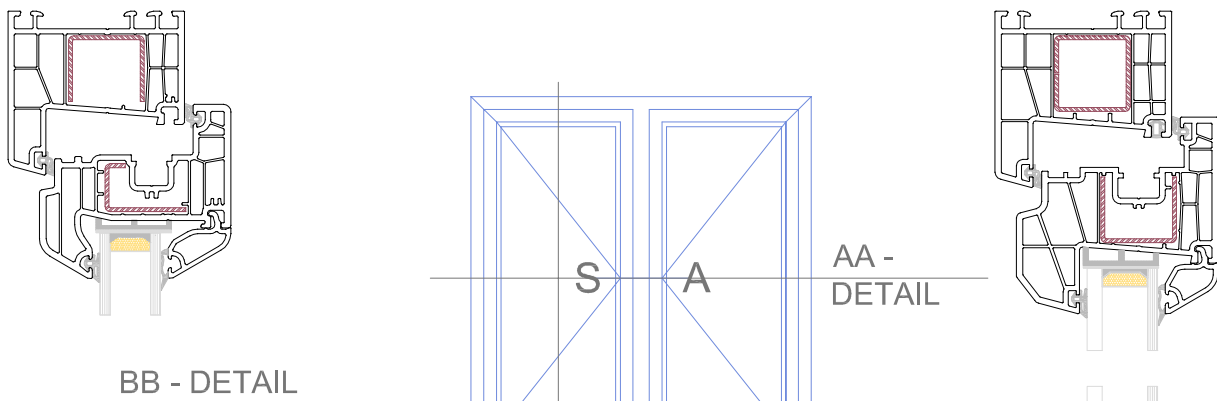
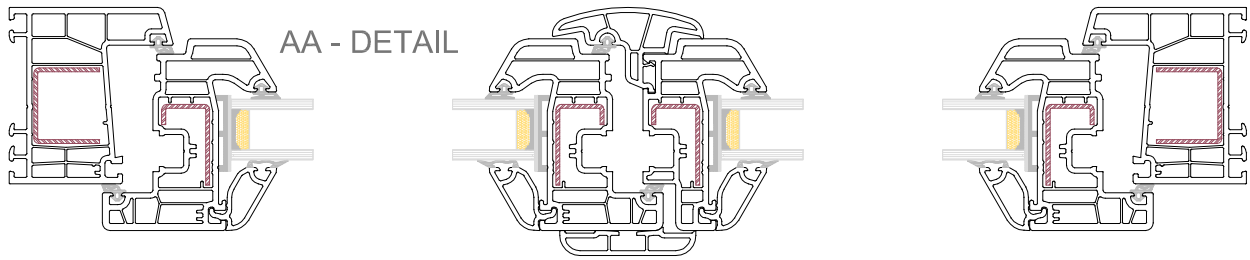
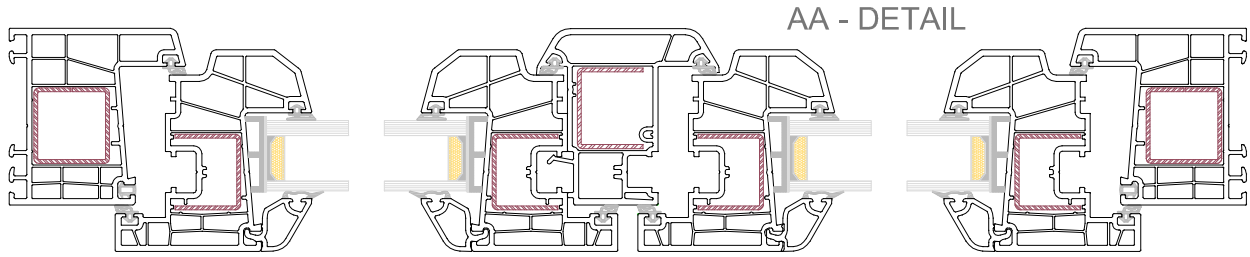
TECHNICAL CATALOG



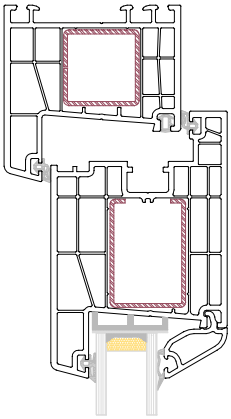
TECHNICAL CATALOG



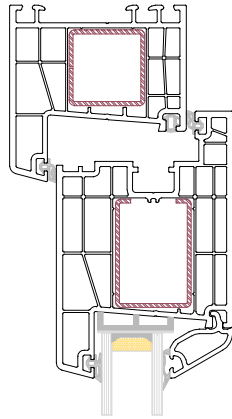
TECHNICAL CATALOG



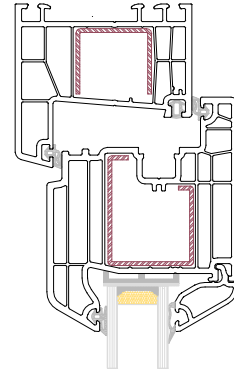
TECHNICAL CATALOG



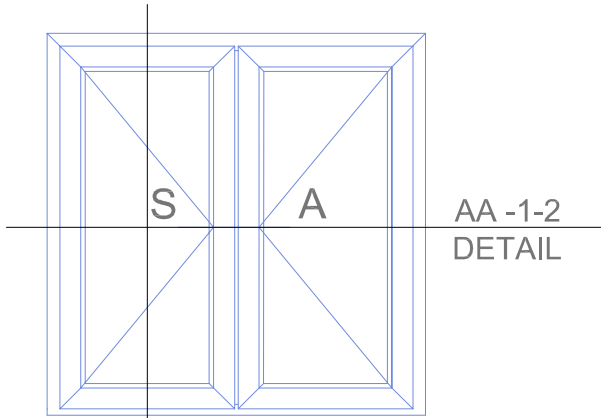
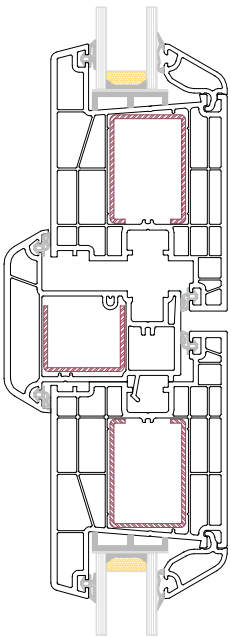
AA -2  
DETAIL



BB -  
DETAIL

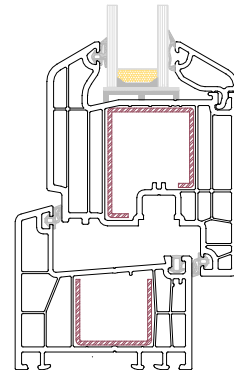
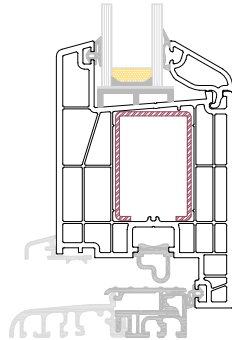
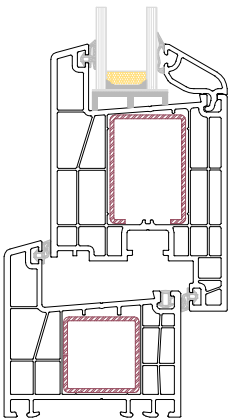
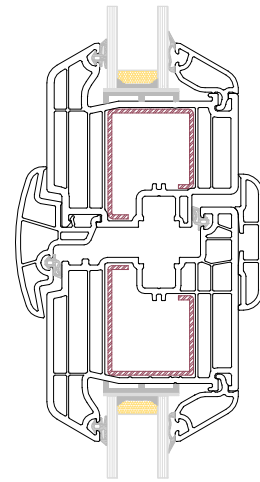


AA -1  
DETAIL

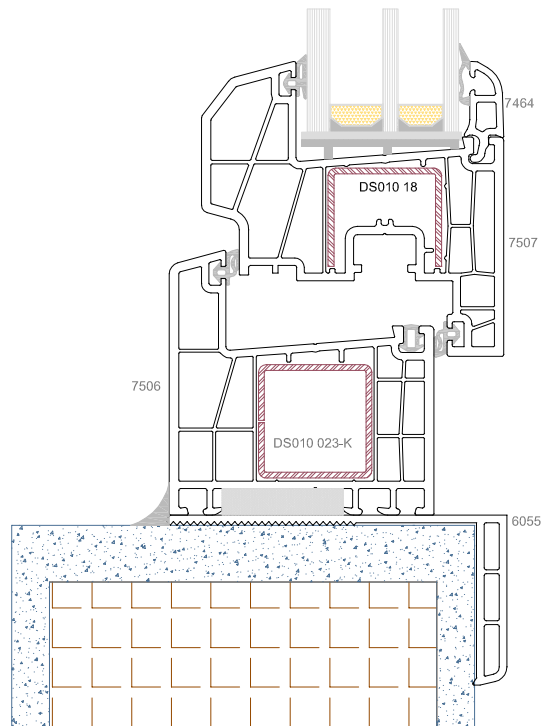
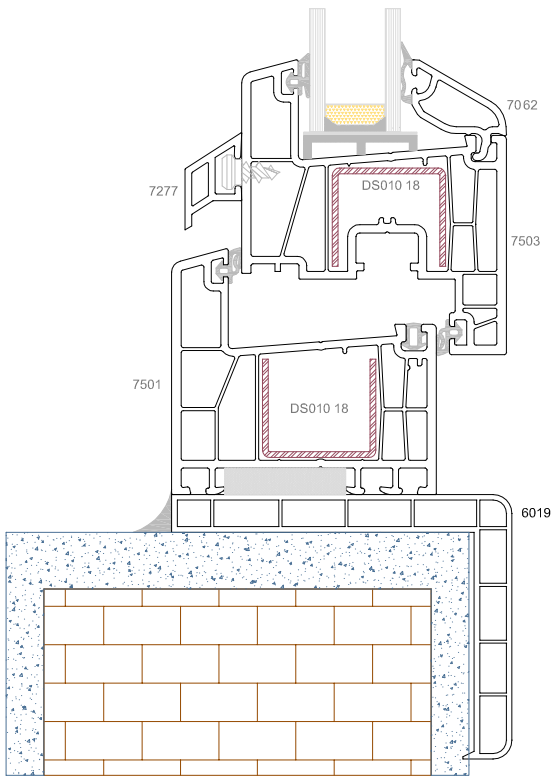
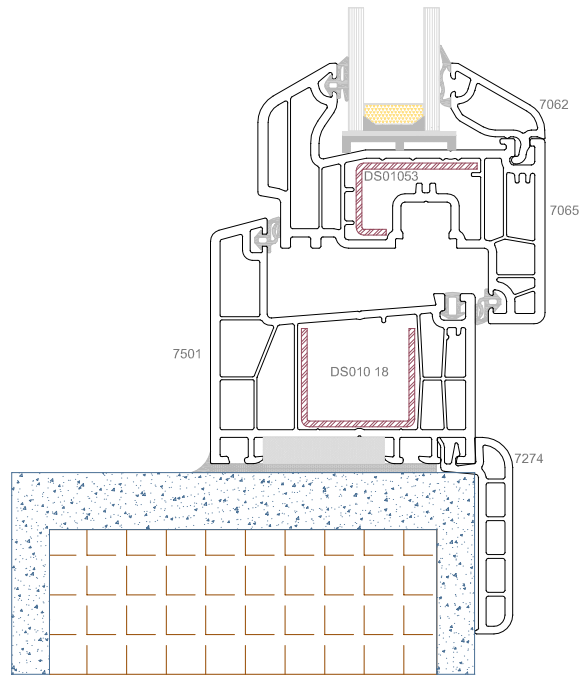
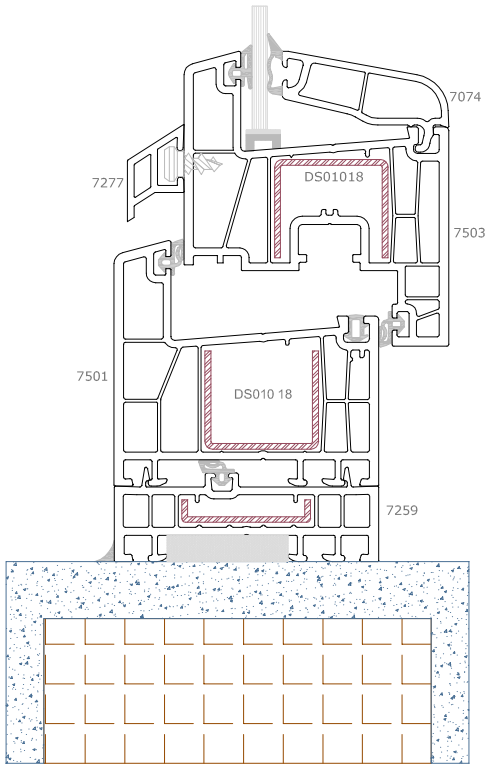


AA -1-2  
DETAIL

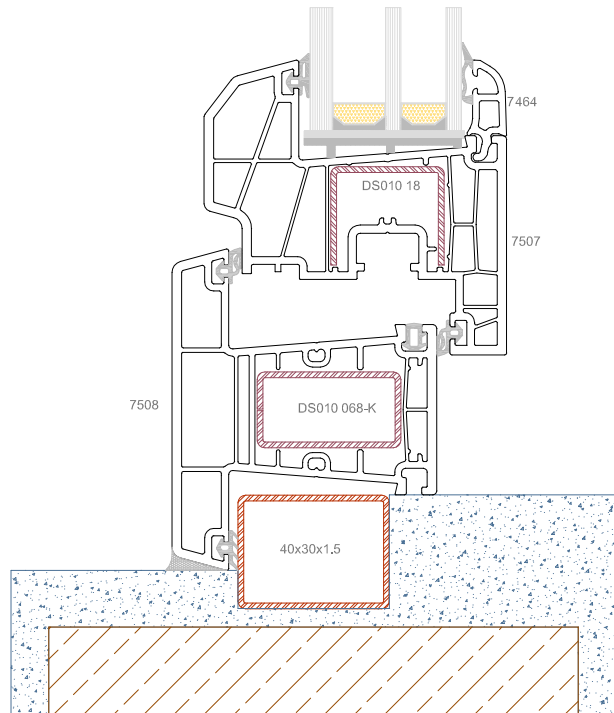
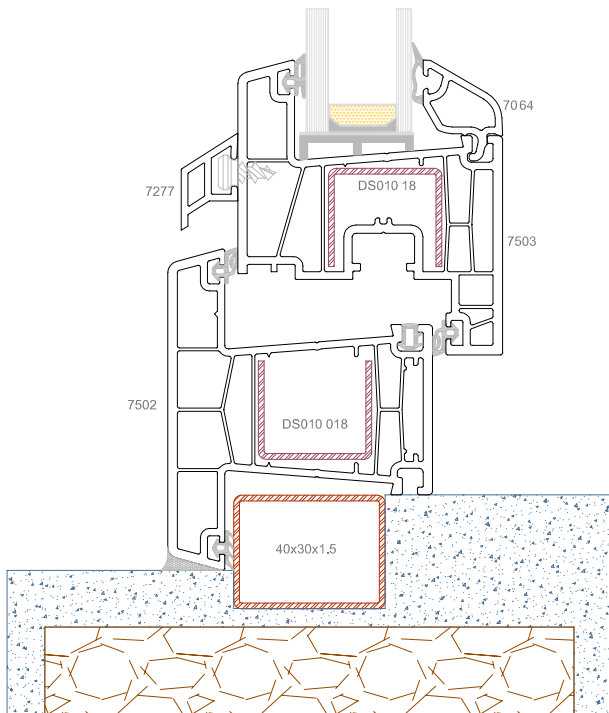
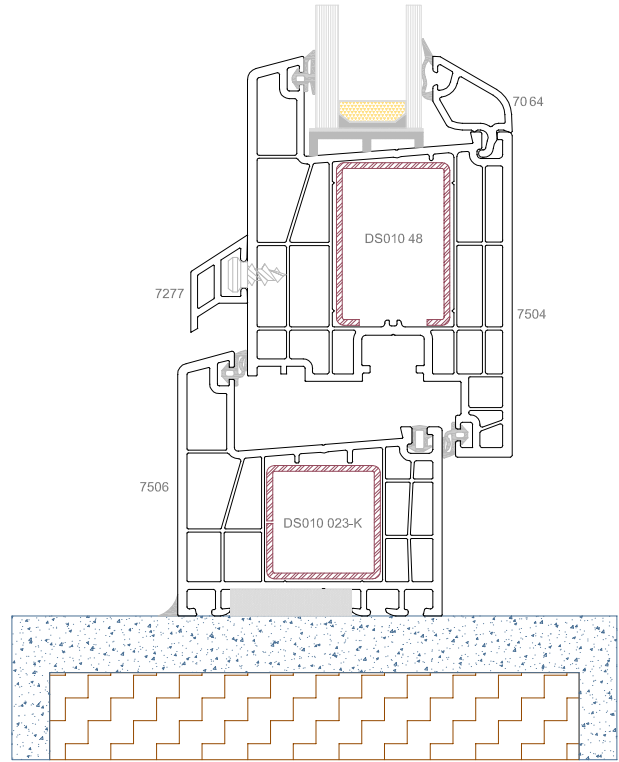
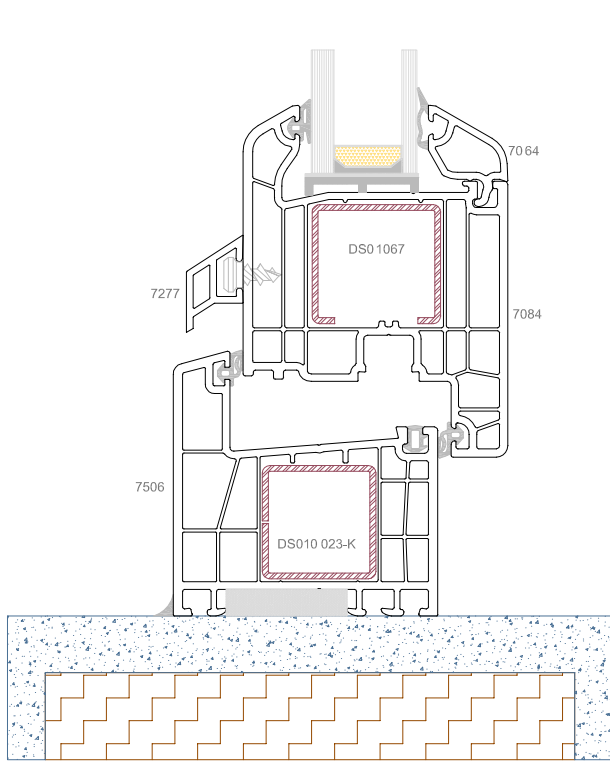
BB -  
DETAIL



TECHNICAL CATALOG

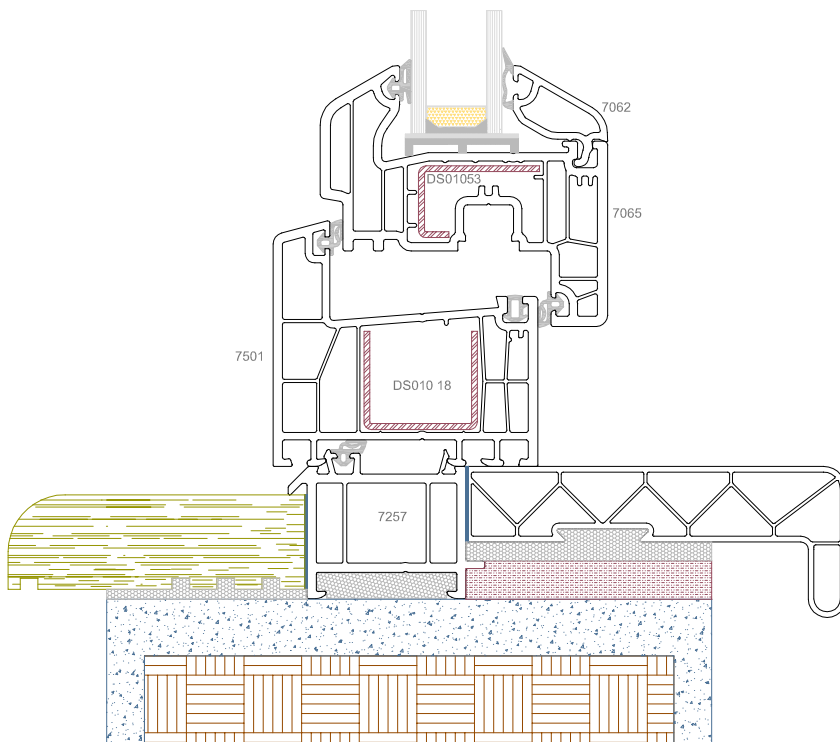
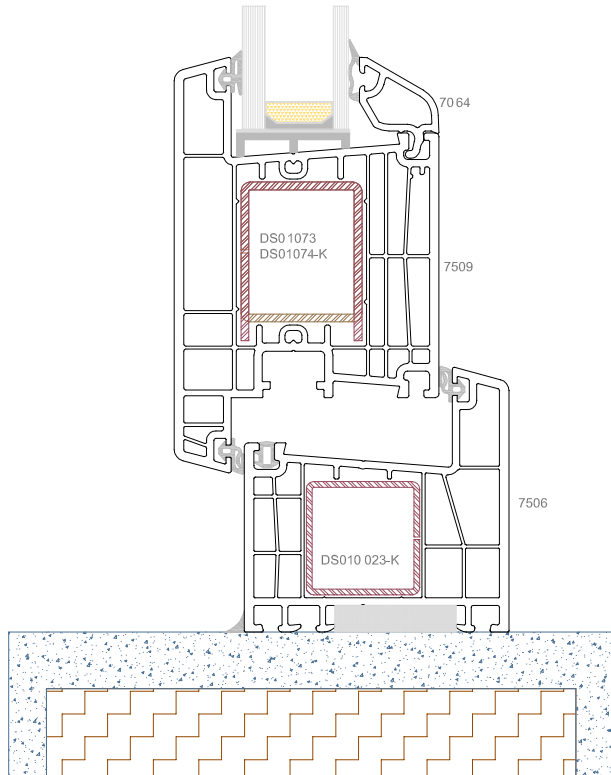


TECHNICAL CATALOG

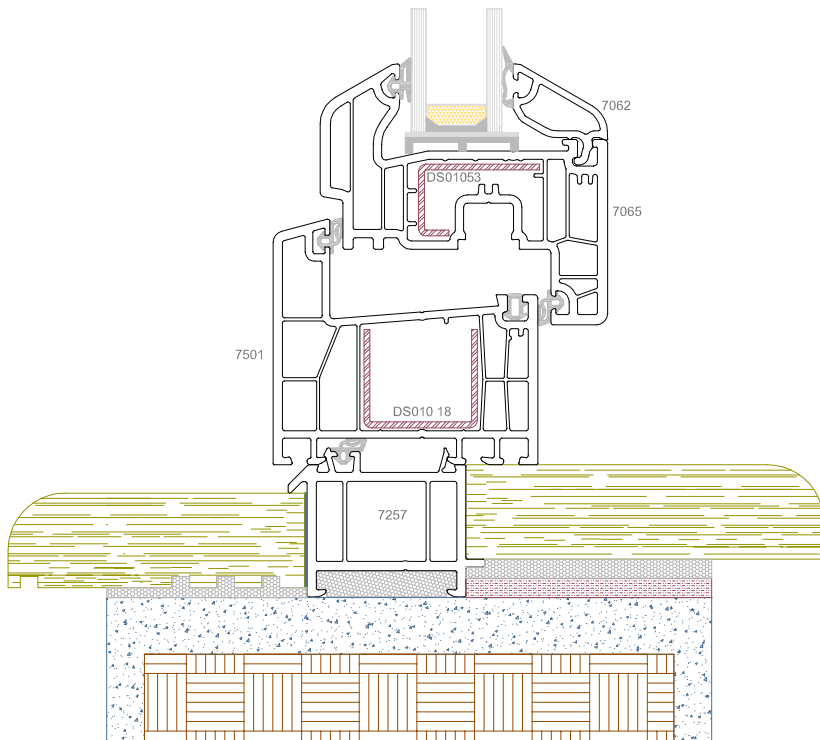
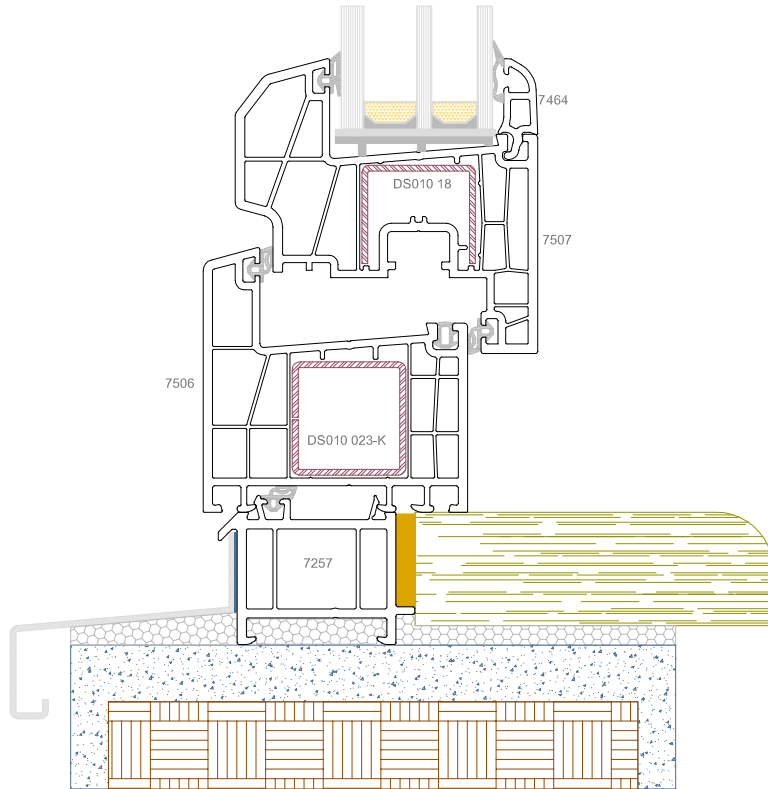




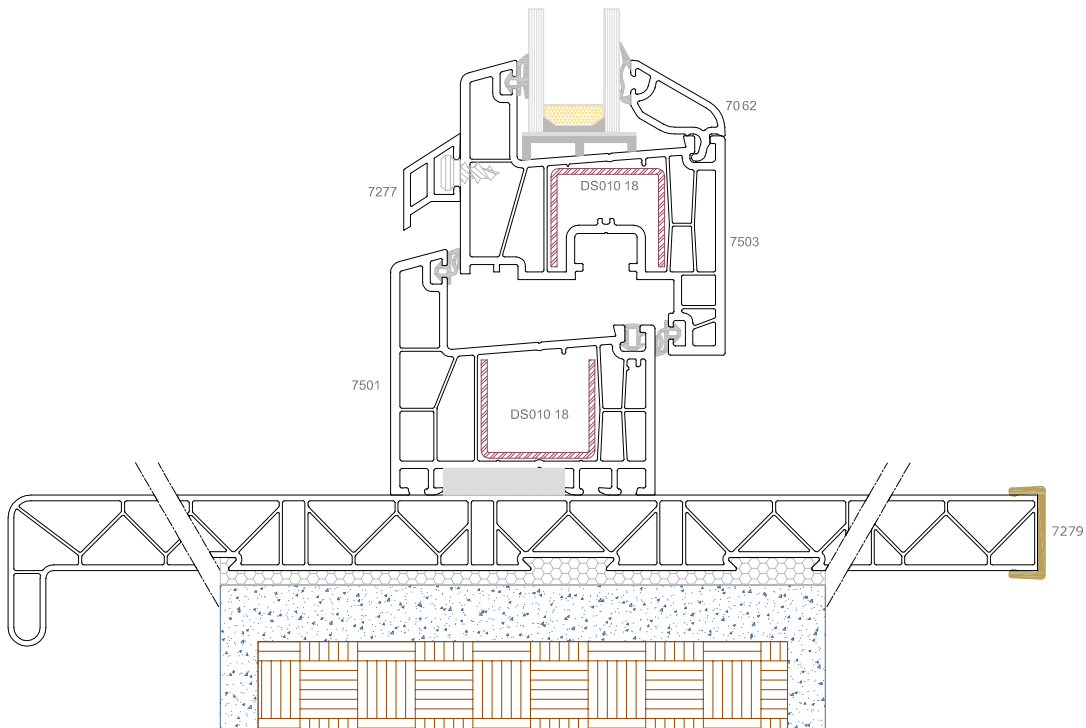
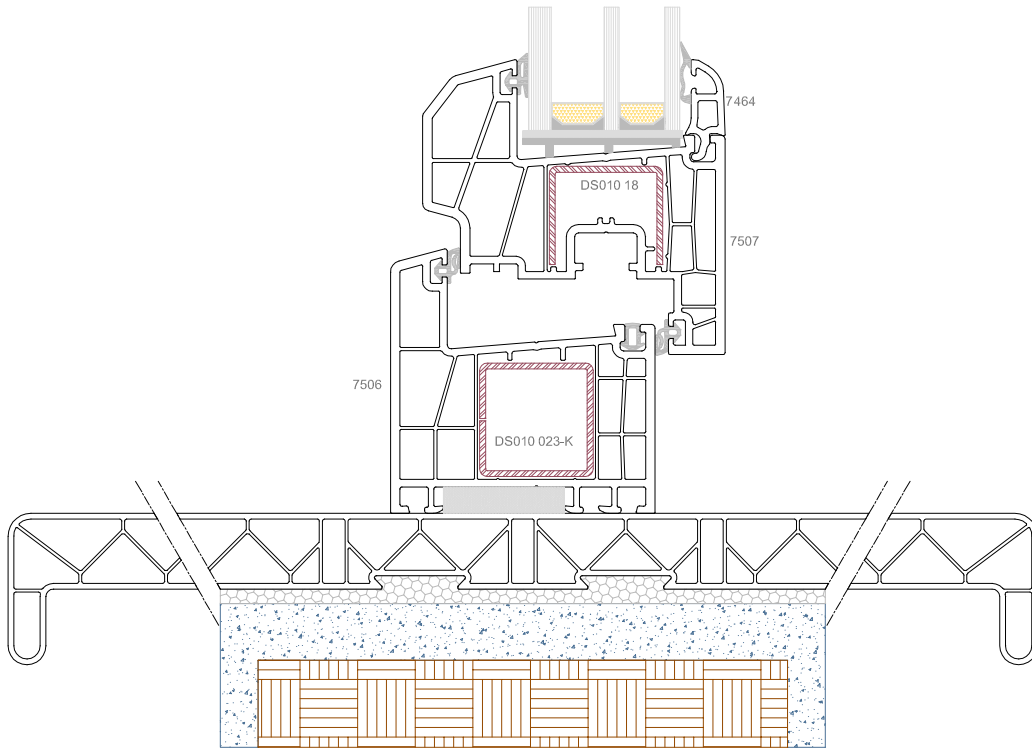
TECHNICAL CATALOG



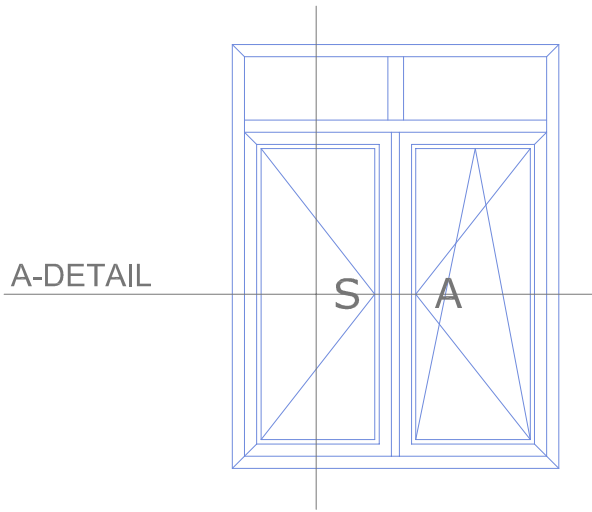
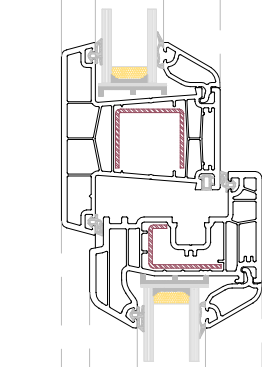
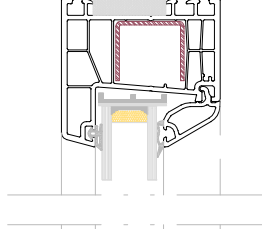
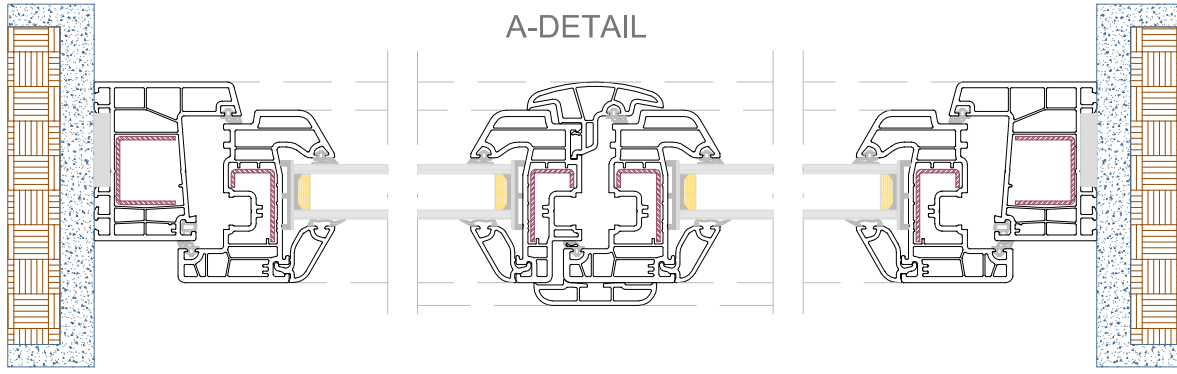
TECHNICAL CATALOG



TECHNICAL CATALOG

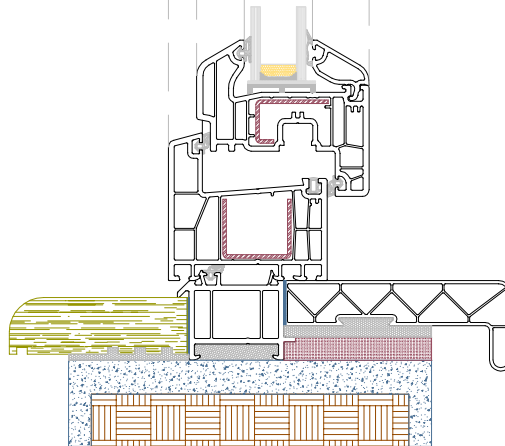


TECHNICAL CATALOG

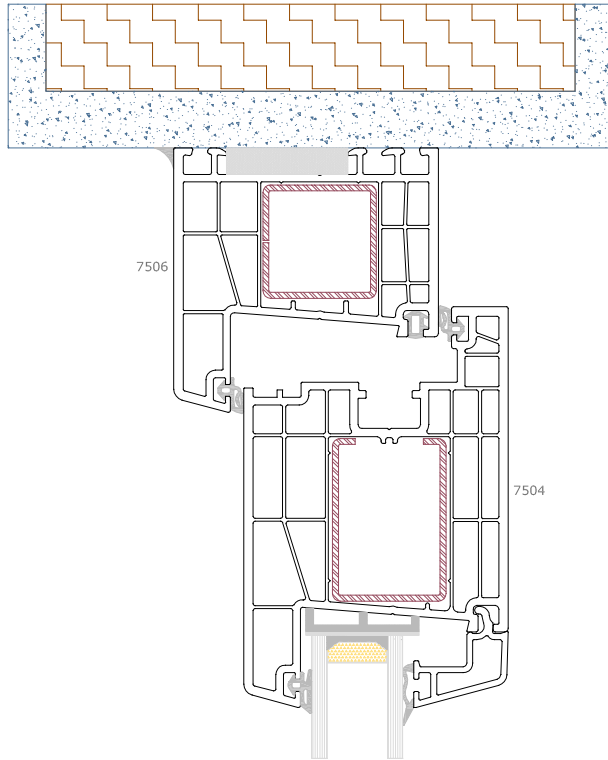


B-DETAIL

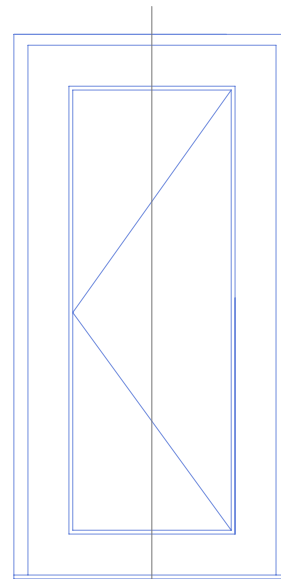
B-DETAIL



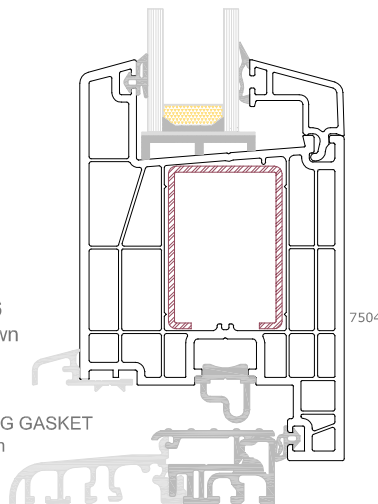
**TECHNICAL CATALOG**



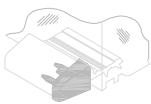
AA -  
DETAIL



AA -  
DETAIL



ALUM. DRAINER FOR  
DOOR SASH  
05DA01209 - Anodised  
05DA01213 - RAL 9016  
05DA01214 - Dark brown

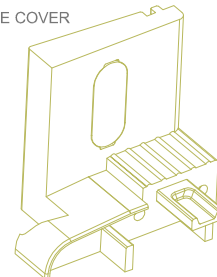


THRESHOLD SEALING GASKET  
05DA01215 - 16/10mm

ALUM. DRAINER CAPS.  
05DA01217 - White caps  
05DA01218 - Grey caps  
05DA01219 - Dark brown caps

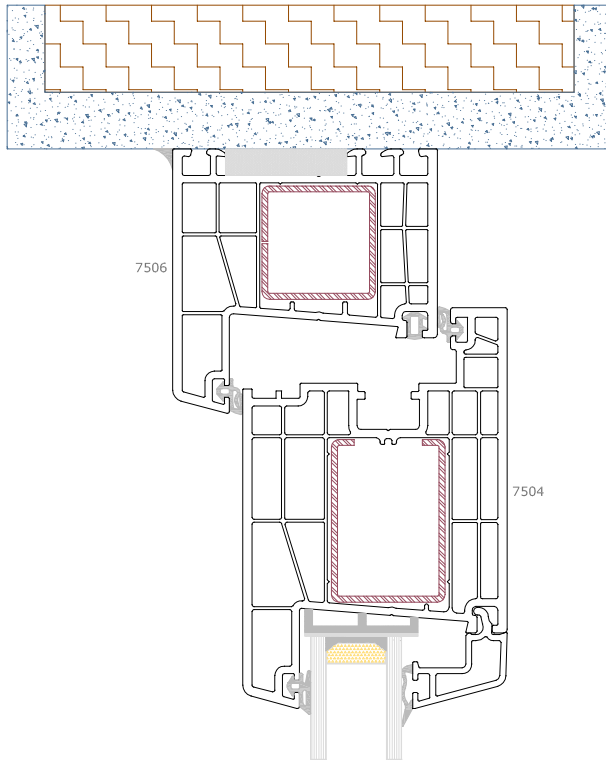
ISOLATED ALUMINIUM THRESHOLD  
05DA01207 - Alm. threshold with black cap  
05DA01208 - Alm. threshold with grey cap  
05DA01211 - Alm. threshold with white cap

SIDE COVER

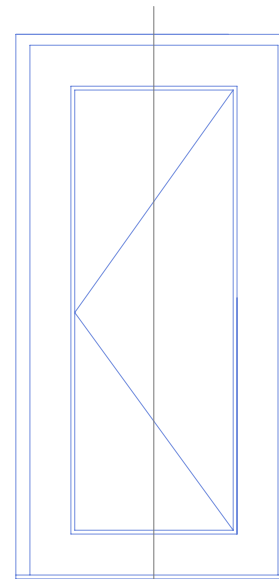


THRESHOLD CAPS-LEFT&RIGHT  
EK01005-7051&7052-L&R-White  
EK01005R-7051&7052-L&R-Coloured

TECHNICAL CATALOG

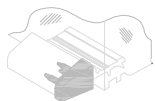


AA -  
DETAIL



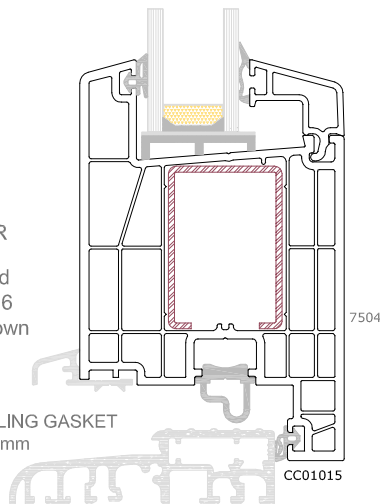
AA -  
DETAIL

ALUM. DRAINER FOR  
DOOR SASH  
05DA01209 - Anodised  
05DA01213 - RAL 9016  
05DA01214 - Dark brown



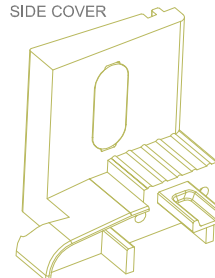
ALUM. DRAINER CAPS.  
05DA01217 -White caps  
05DA01218 -Grey caps  
05DA01219 -Dark brown caps

THRESHOLD SEALING GASKET  
05DA01215 - 16/10mm



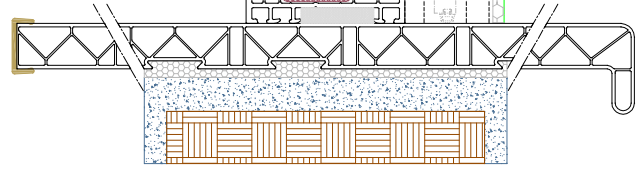
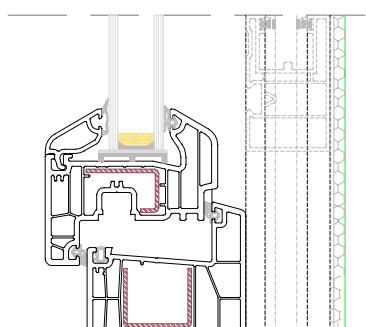
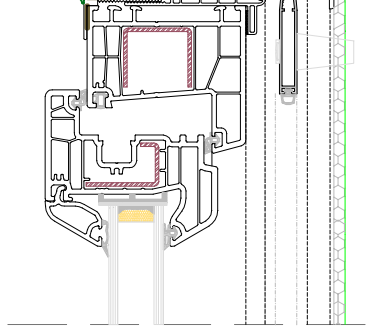
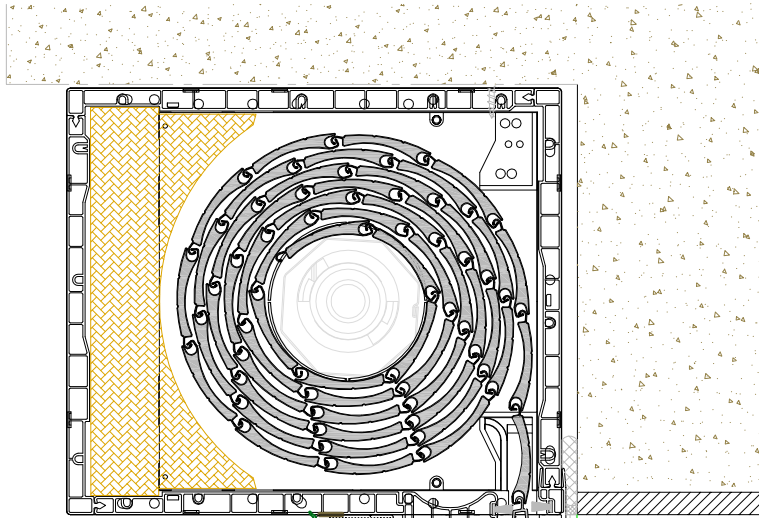
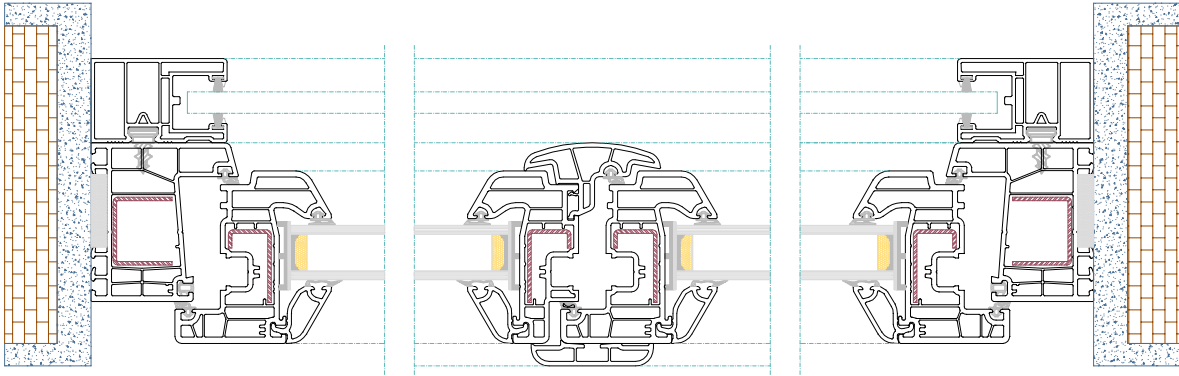
ANODISED ALUMINIUM THRESHOLD  
AB01015E Anodised aluminium threshold  
AB01015R Anodised aluminium threshold black

SIDE COVER

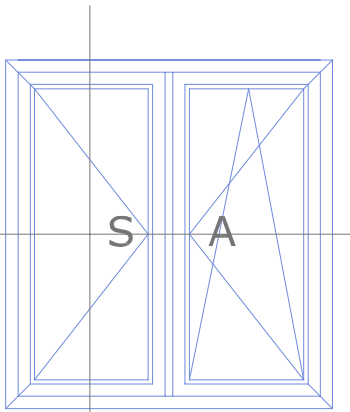


THRESHOLD CAPS-LEFT&RIGHT  
EK01005-7051&7052-L&R-White  
EK01005R-7051&7052-L&R-Coloured

TECHNICAL CATALOG

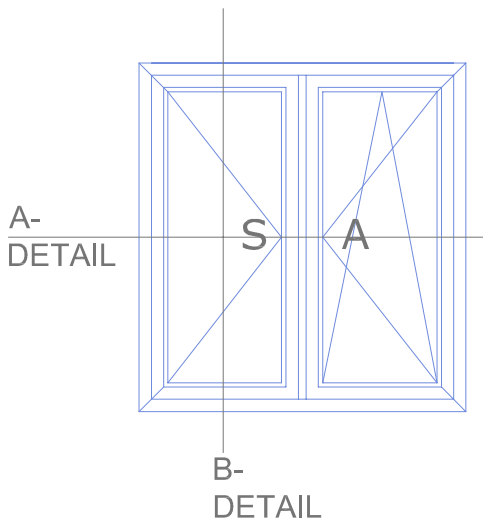
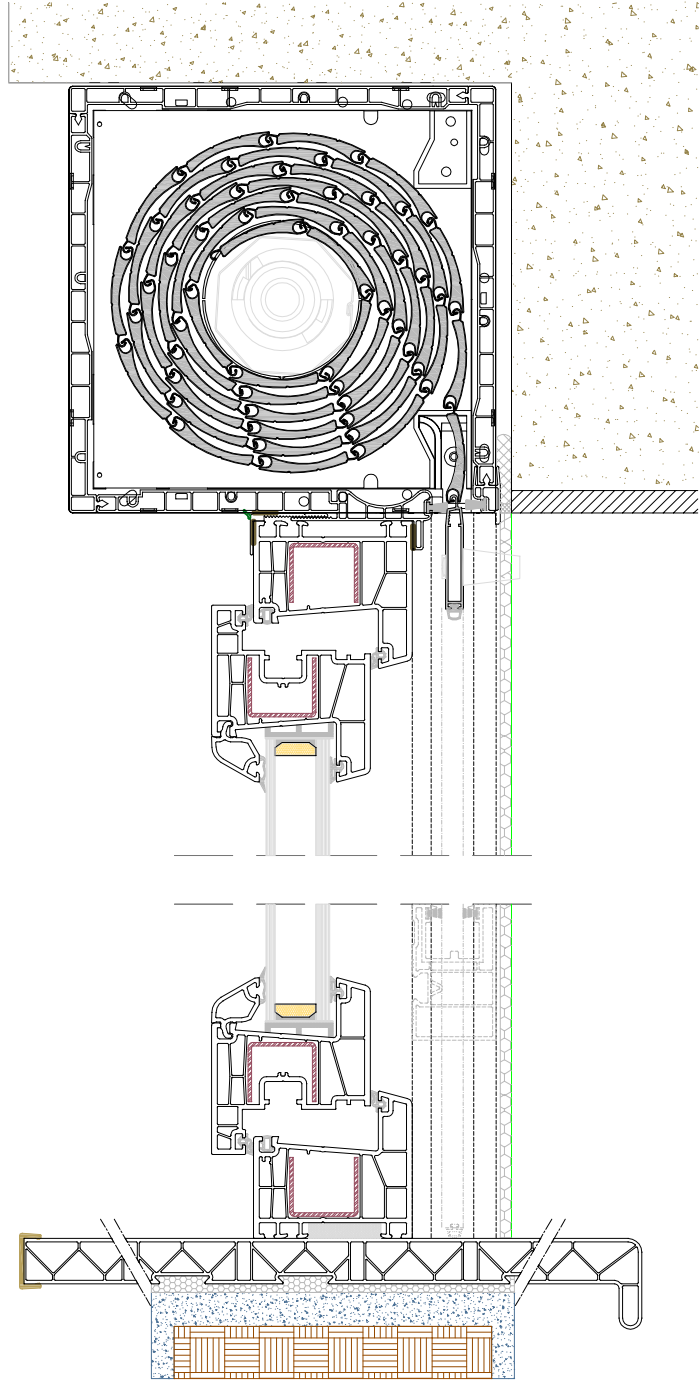
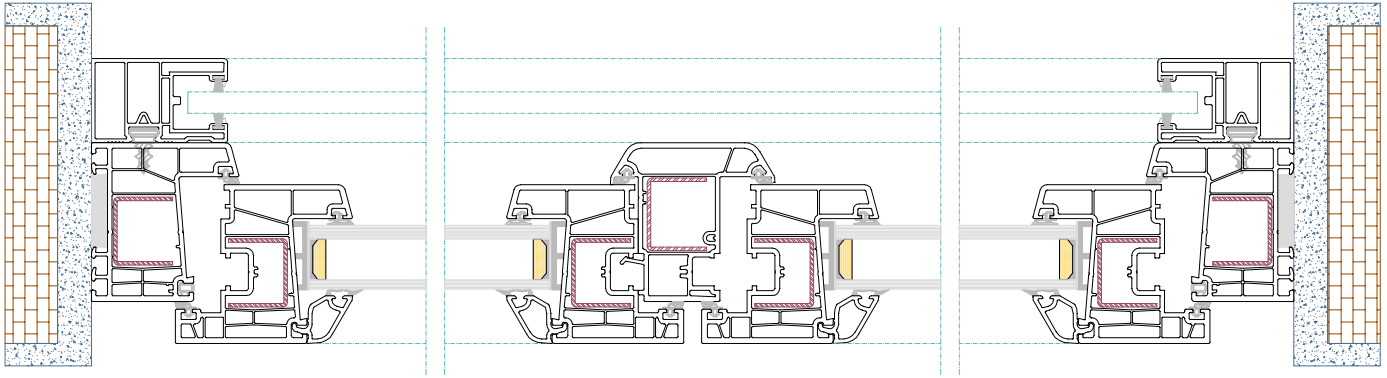


A-  
DETAIL



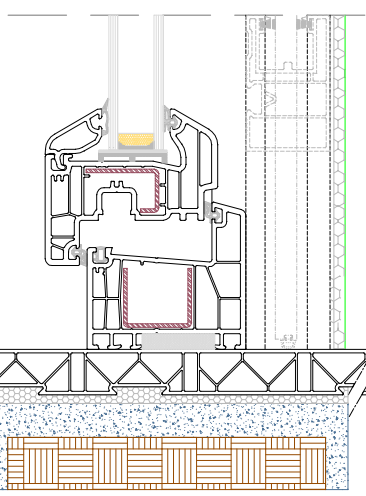
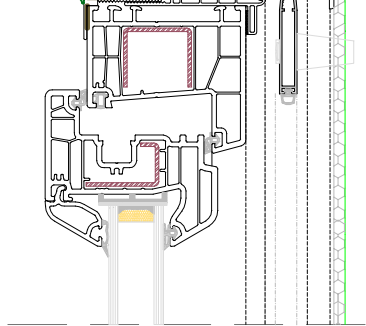
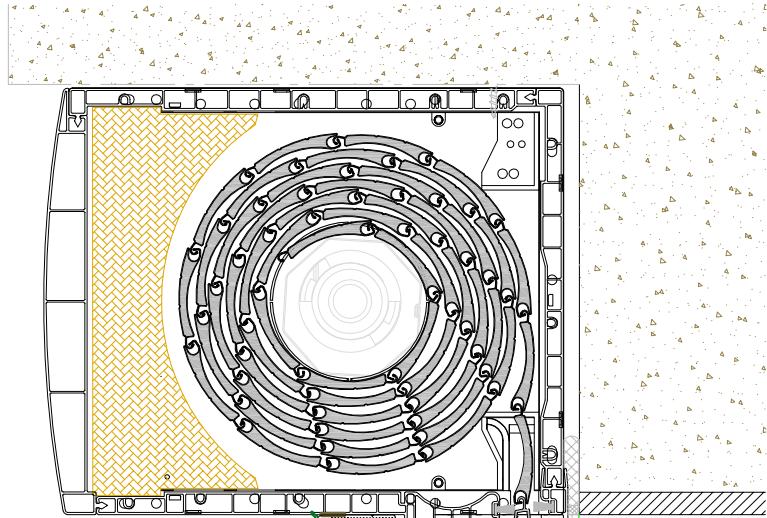
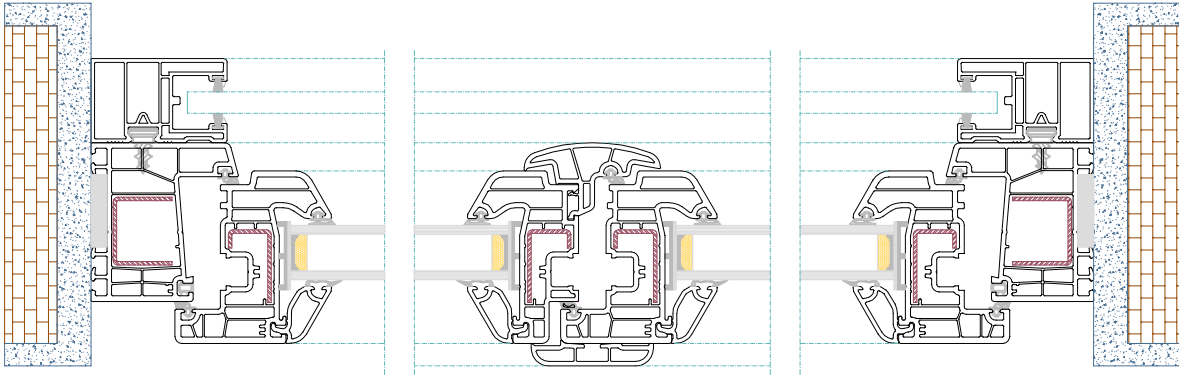
B-  
DETAIL

TECHNICAL CATALOG

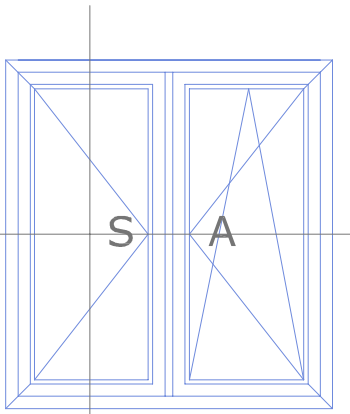




TECHNICAL CATALOG

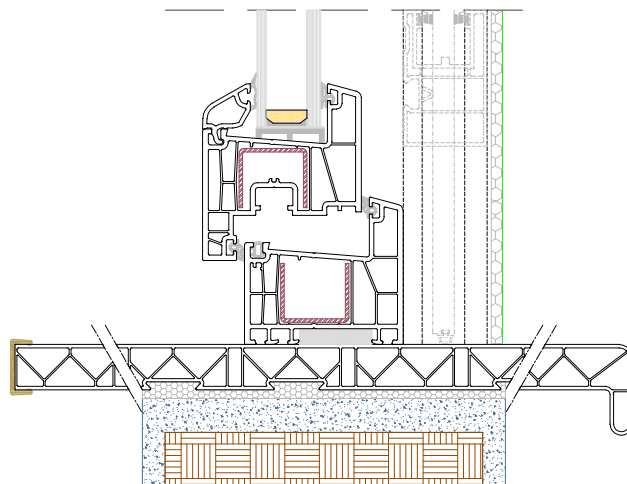
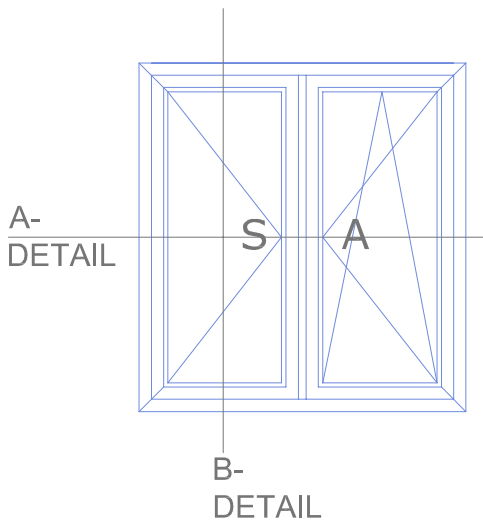
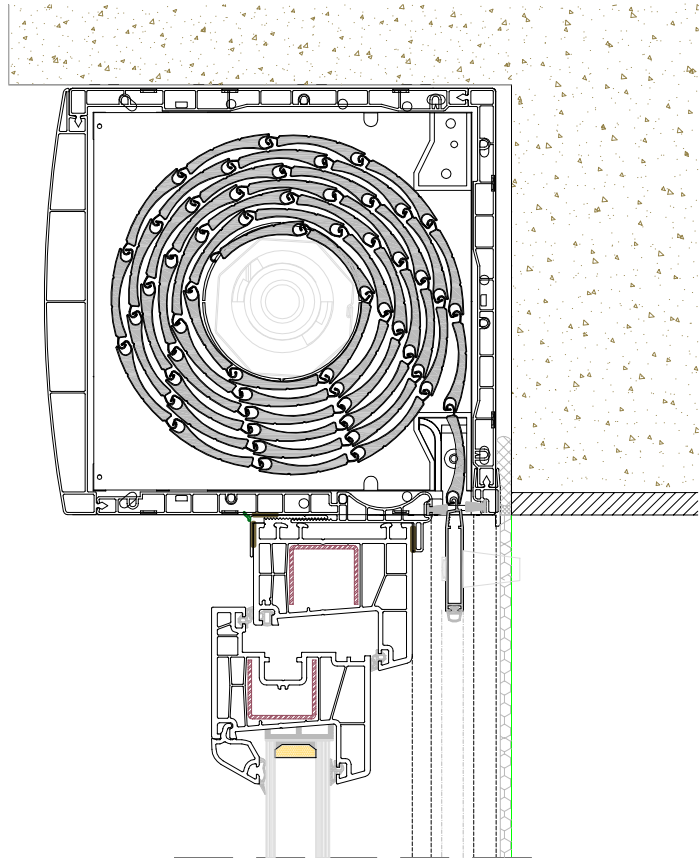
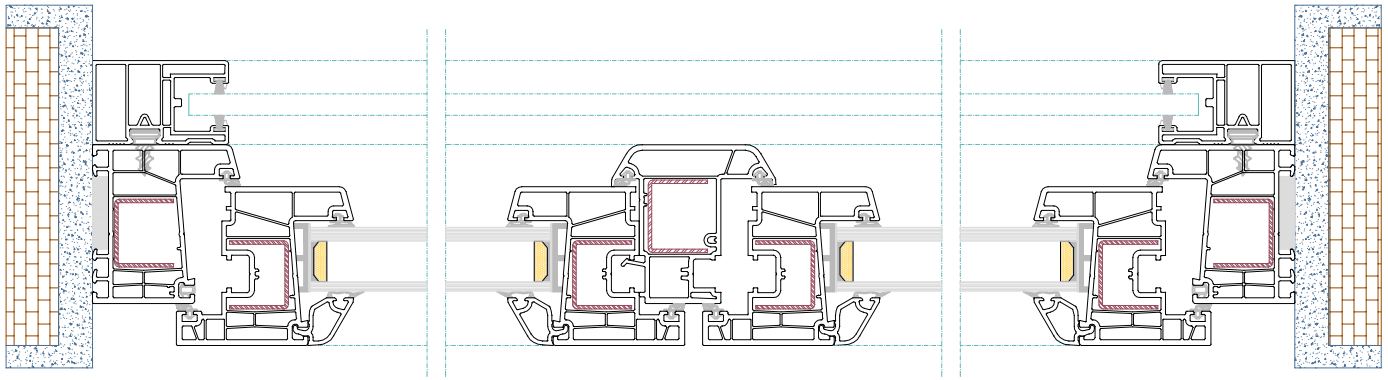


A-  
DETAIL

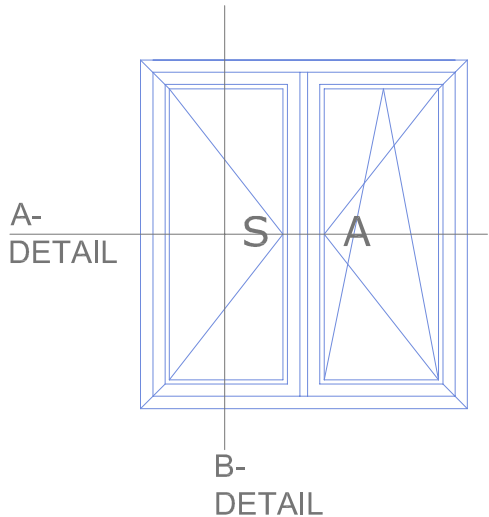
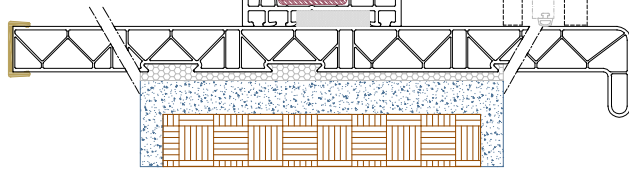
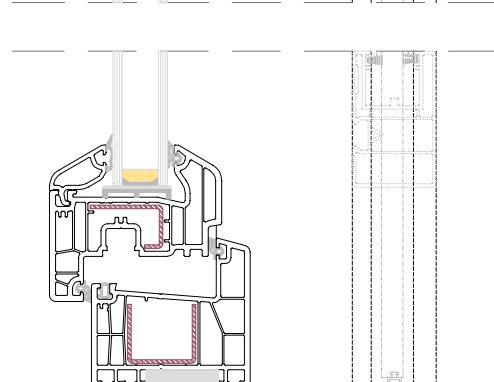
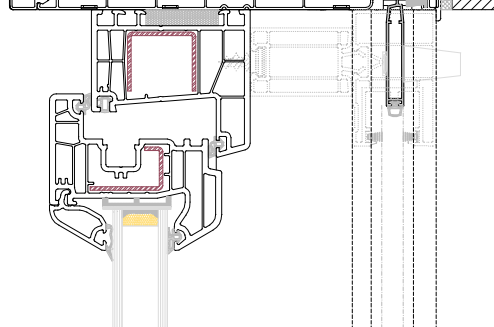
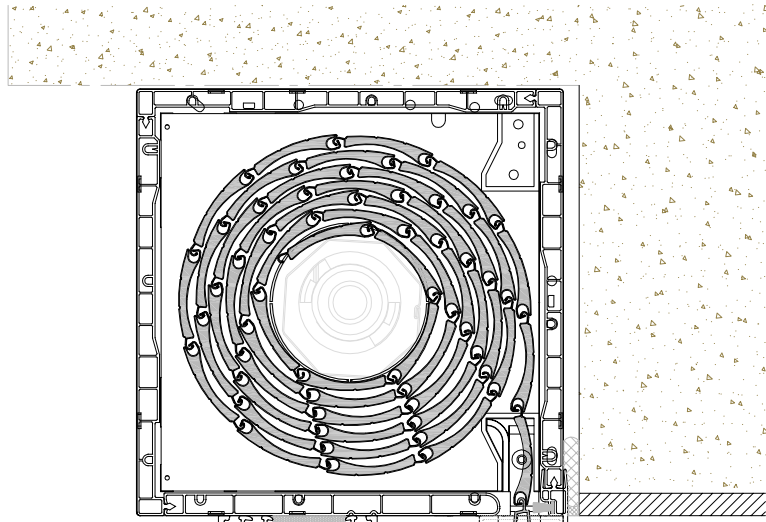
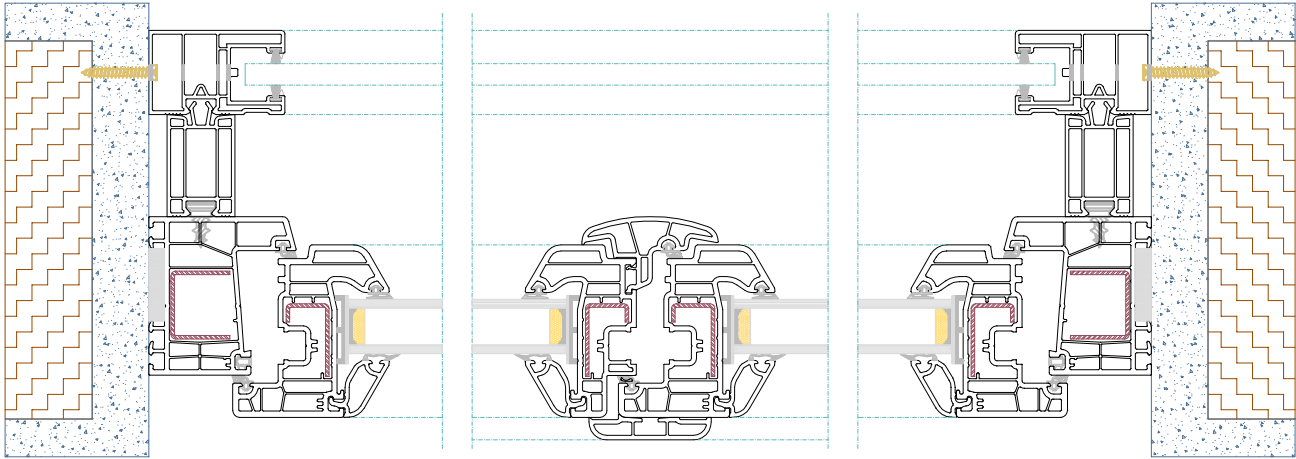


B-  
DETAIL

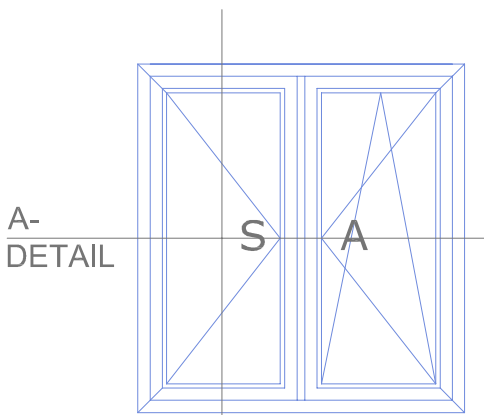
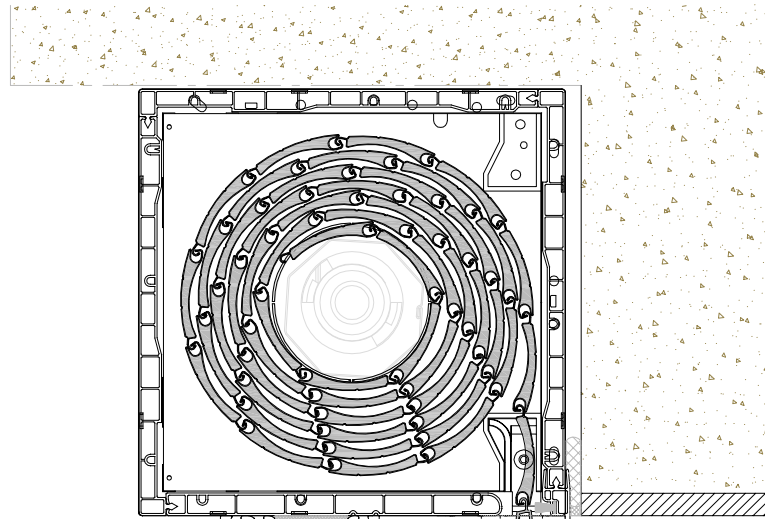
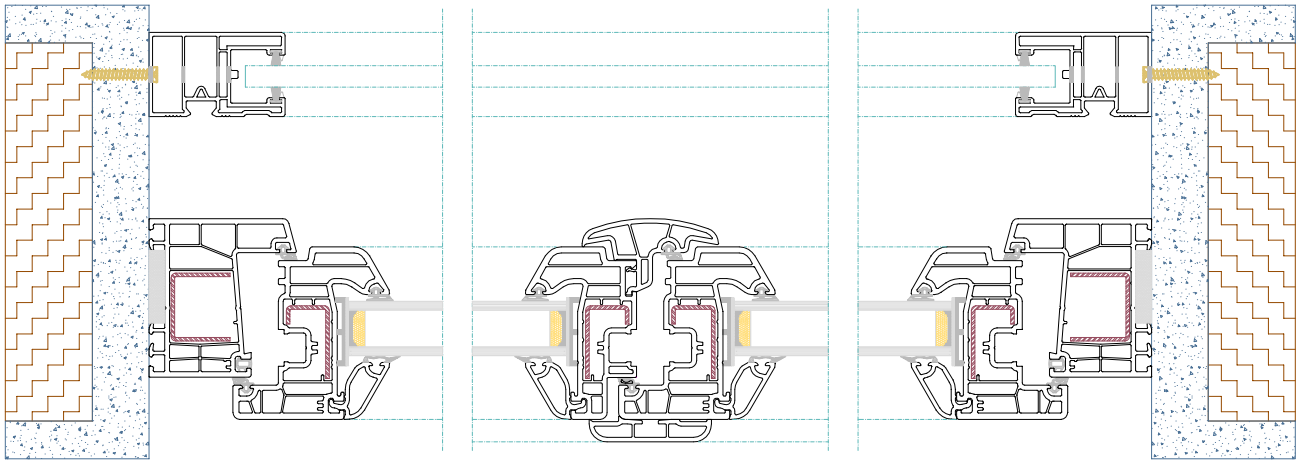
TECHNICAL CATALOG



TECHNICAL CATALOG

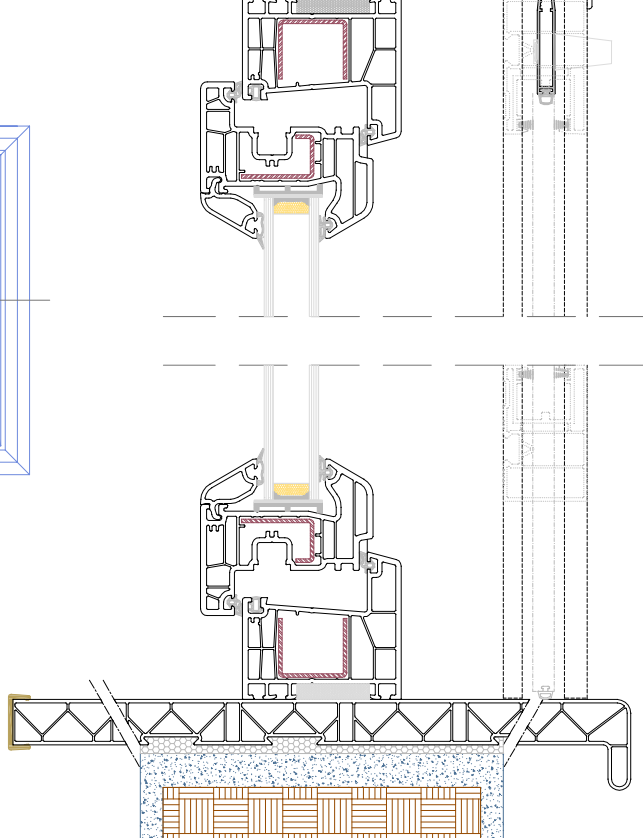


TECHNICAL CATALOG

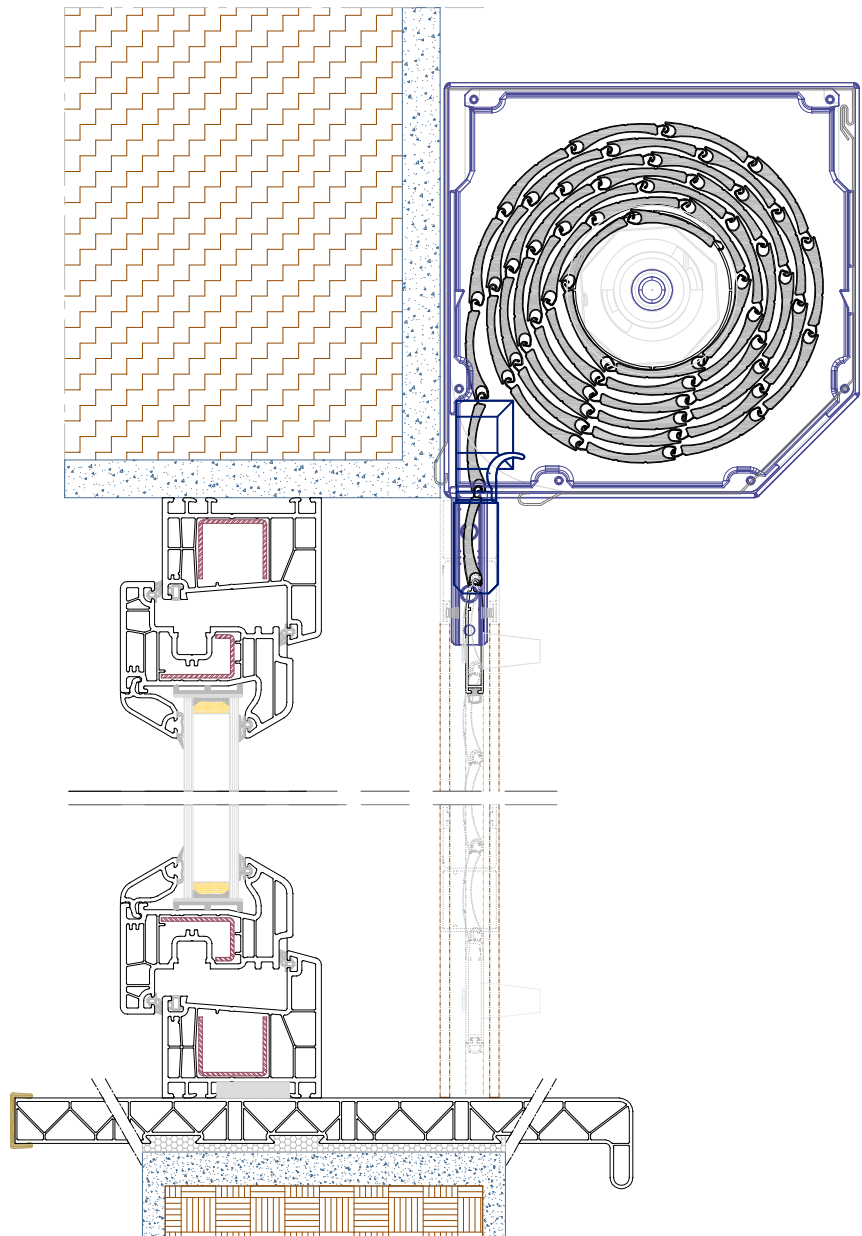
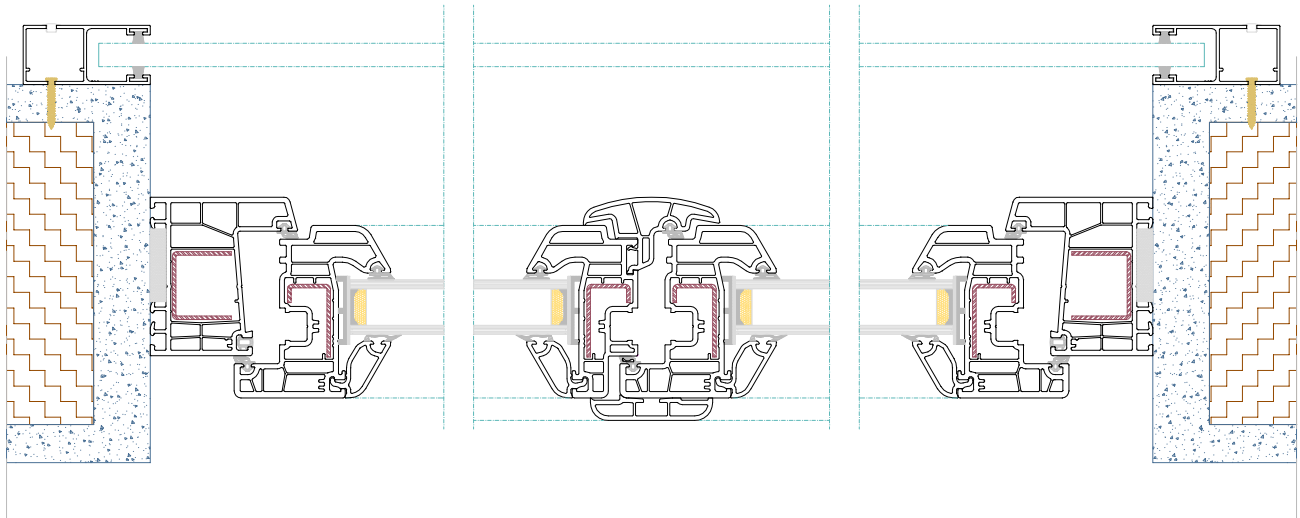


A-  
DETAIL

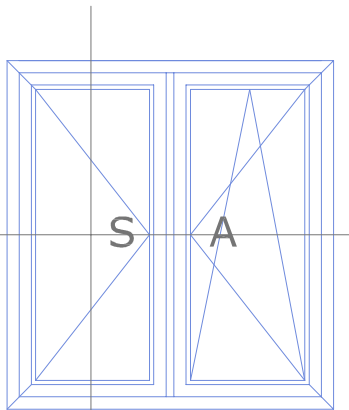
B-  
DETAIL



TECHNICAL CATALOG

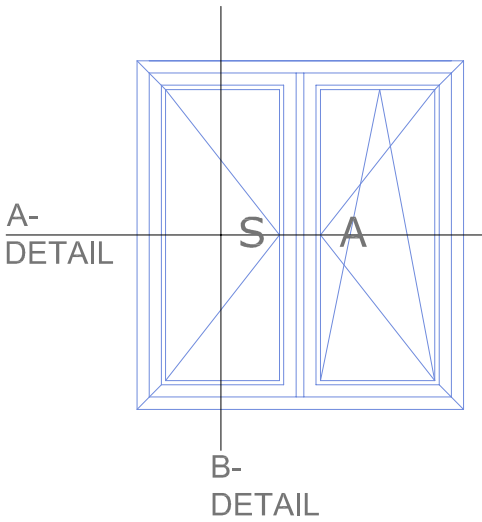
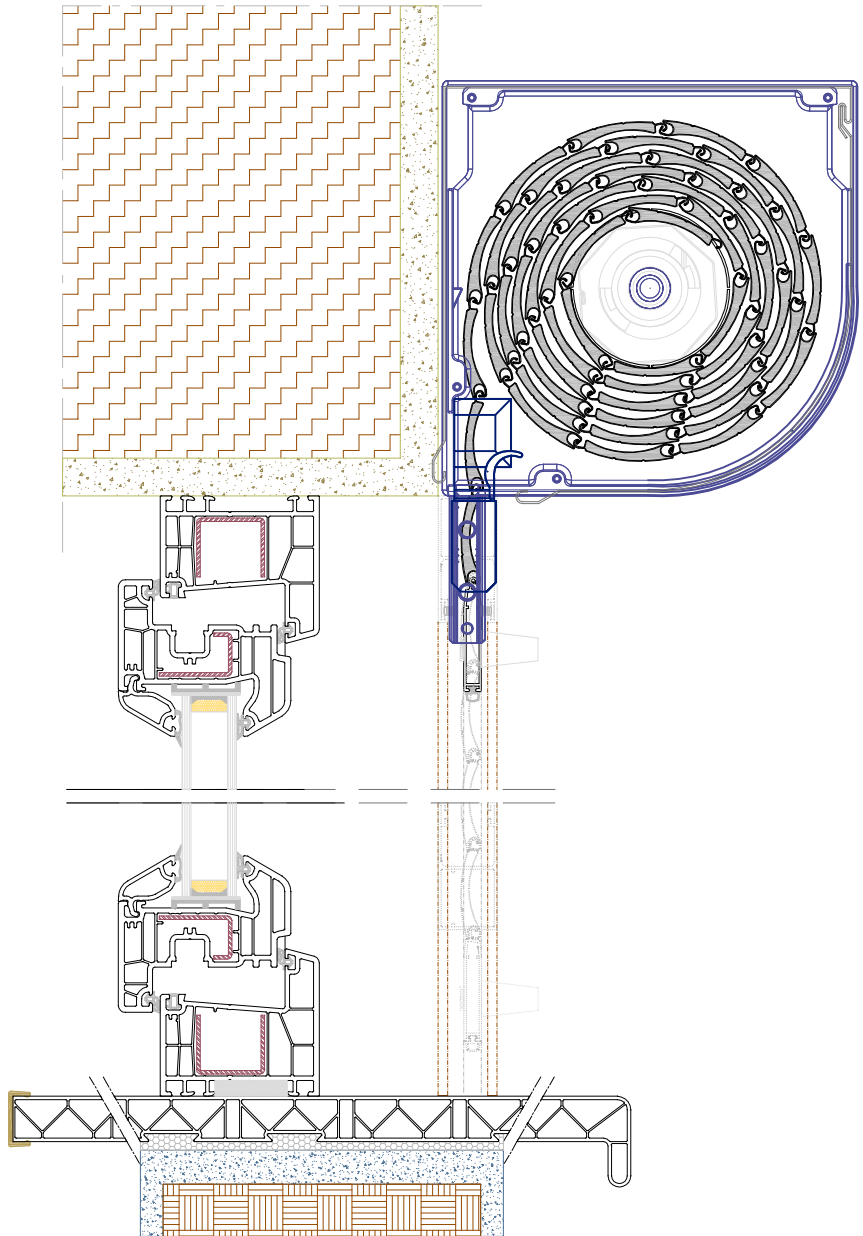
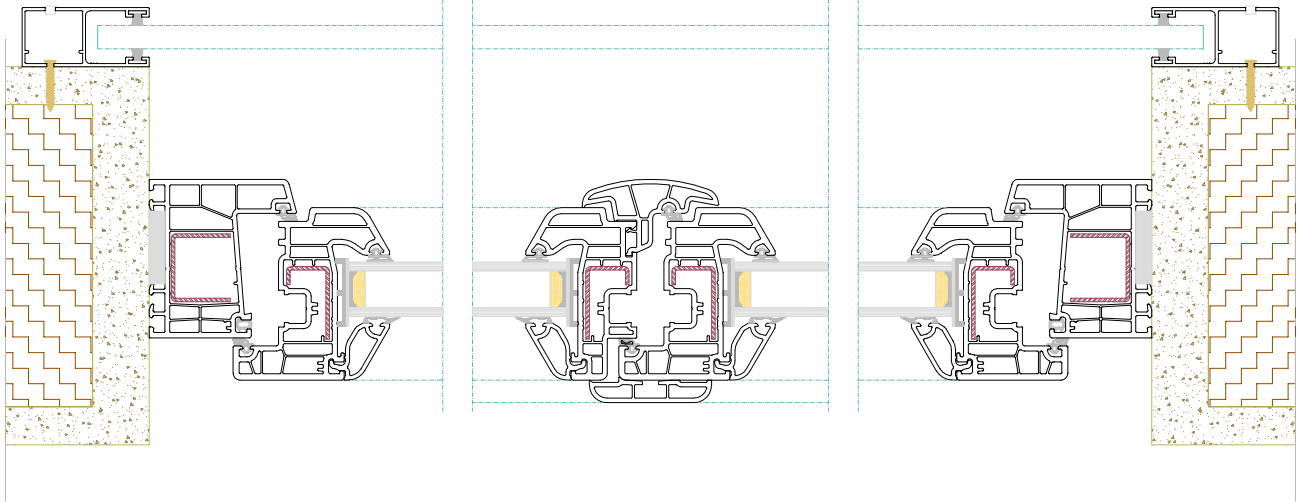


A-  
DETAIL

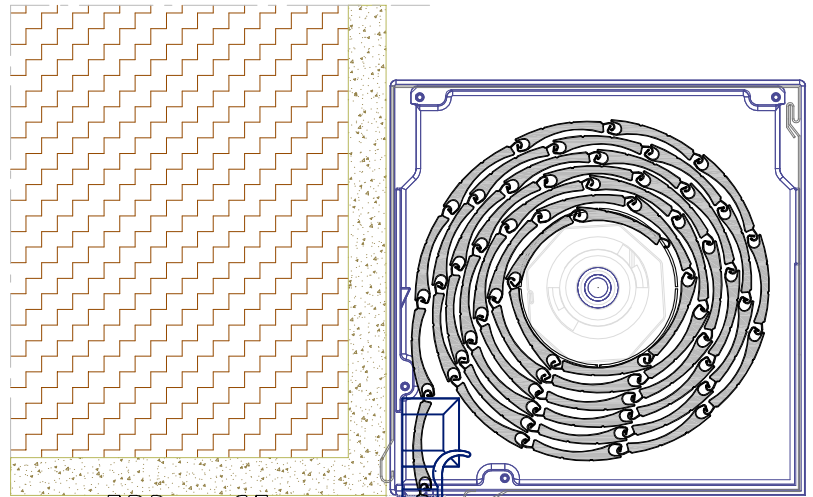
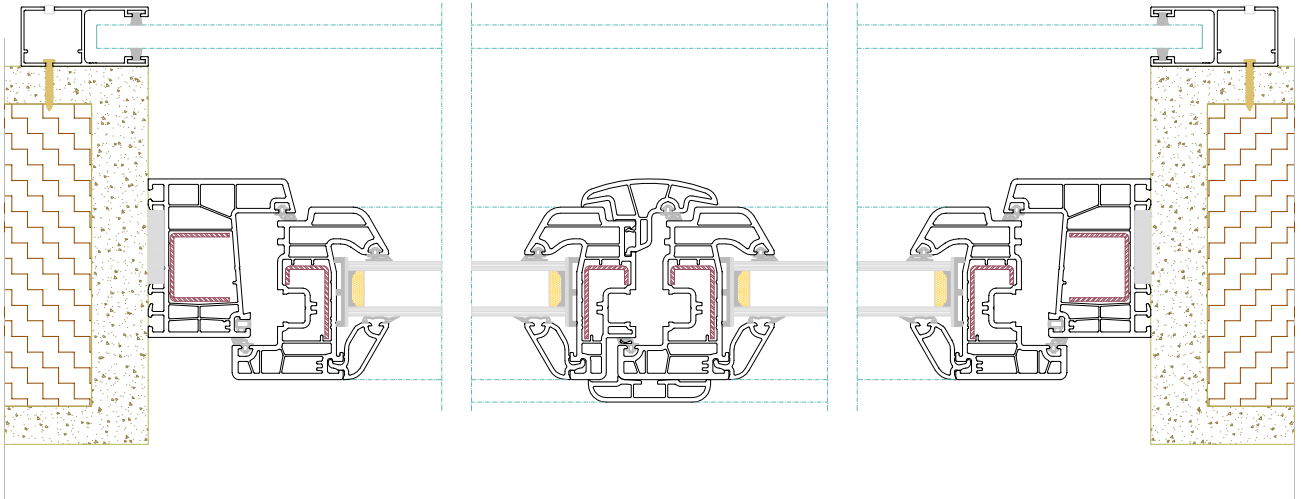


B-  
DETAIL

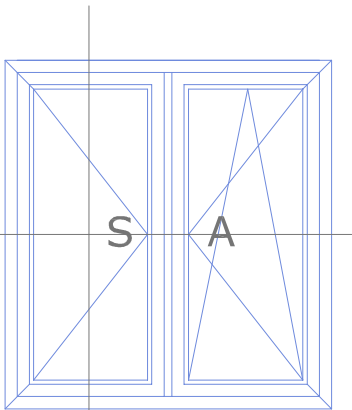
TECHNICAL CATALOG



TECHNICAL CATALOG



A-  
DETAIL



B-  
DETAIL

