

TECHNICAL CATALOG

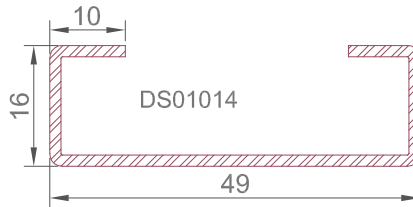
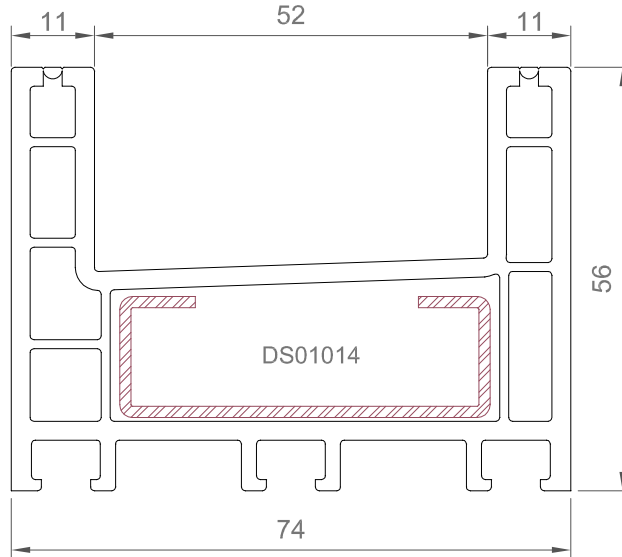
SLIDING SYSTEMS

TECHNICAL CATALOG

SLIDING FRAME PROFILE

7401 EU-B 1.306 kg/m

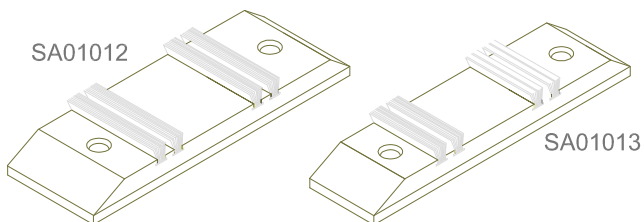
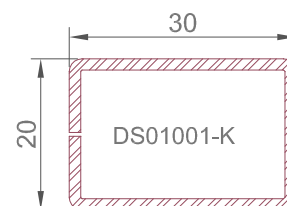
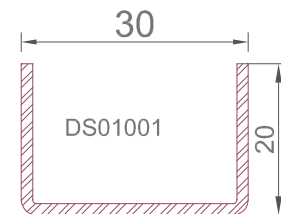
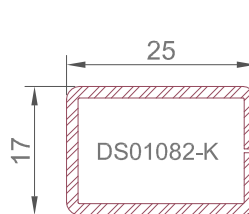
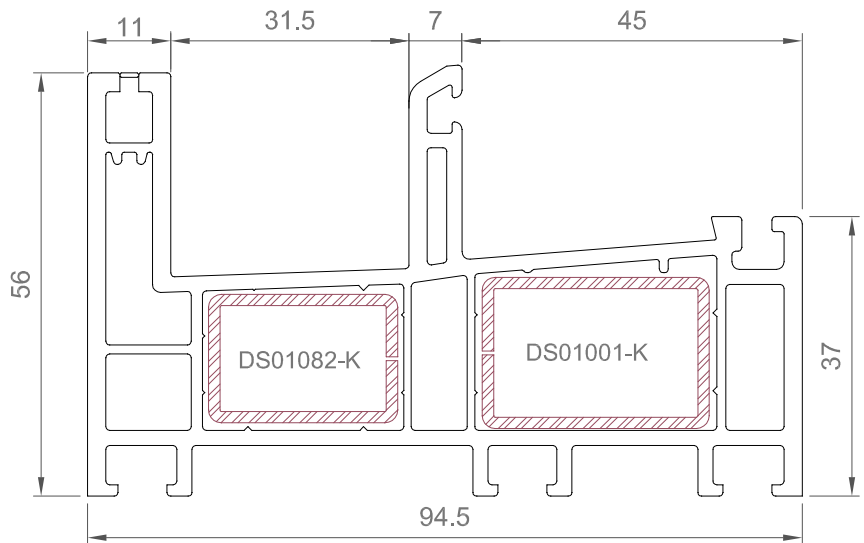
| U-Reinforcement steel | Thickness | Weight-kg/m |
|-------------------------|-----------|-------------|
| DS01014 | 1.25mm | 0.925 |
| | 1.50mm | 1.094 |
| | 2.00mm | 1.417 |
| Box Reinforcement steel | | |
| DS01014-K | 1.25mm | 1.209 |
| | 1.50mm | 1.429 |
| | 2.00mm | 1.882 |



FIX SLIDING FRAME PROFILE

7403N EU-B 1.402 kg/m

| U-Reinforcement steel | Thickness | Weight-kg/m |
|-------------------------|-----------|-------------|
| DS01001 | 1.25mm | 0.656 |
| | 1.50mm | 0.776 |
| | 2.00mm | 1.024 |
| Box Reinforcement steel | | |
| DS01001-K | 1.25mm | 0.915 |
| | 1.50mm | 1.082 |
| | 2.00mm | 1.402 |
| Box Reinforcement steel | | |
| DS01082-K | 1.25mm | 0.758 |
| | 1.50mm | 0.893 |
| | 2.00mm | 1.150 |

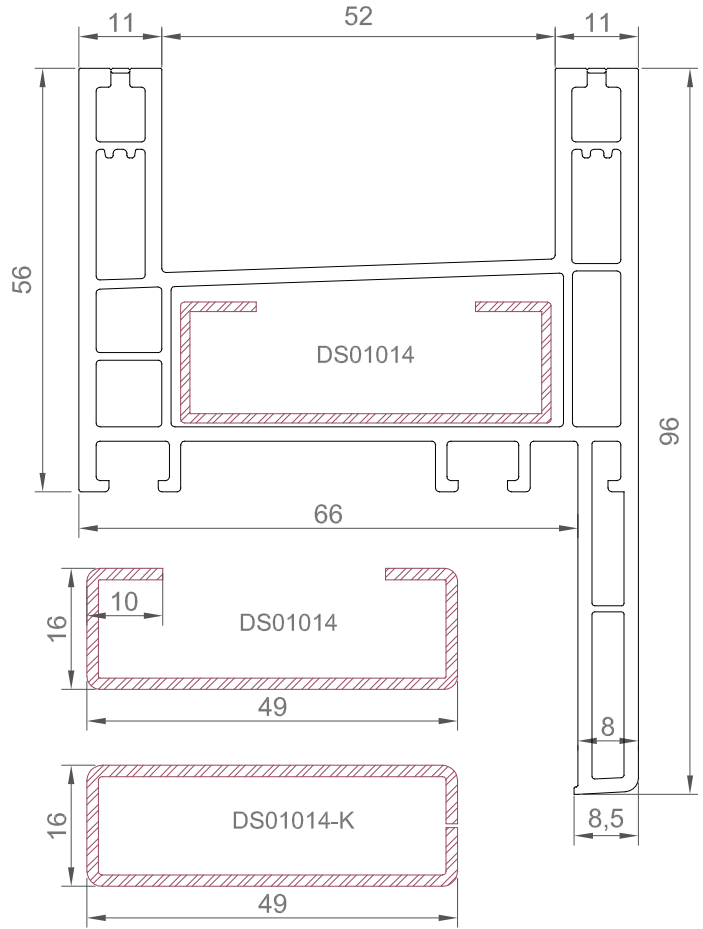
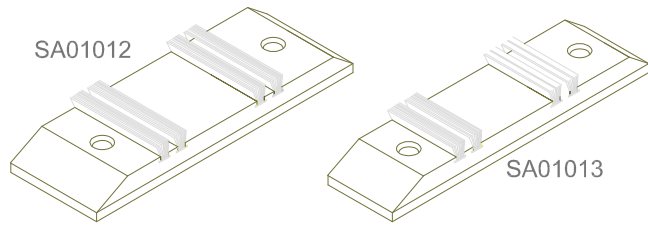


TECHNICAL CATALOG

RENOVATION FRAME PROFILE

7412 EU-B 1.361 kg/m

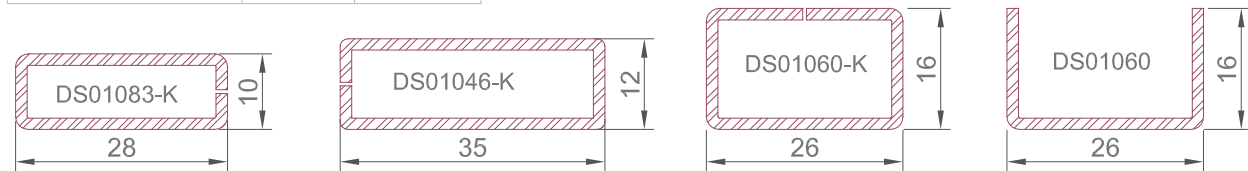
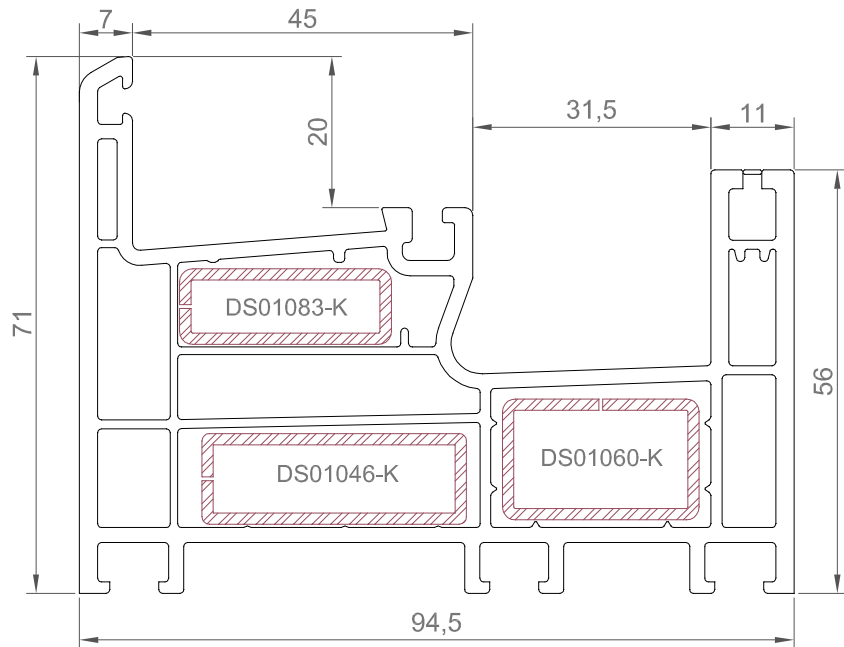
| Reinforcement steel | Thickness | Weight-kg/m |
|-------------------------|-----------|-------------|
| | 1.25mm | 0.925 |
| DS01014 | 1.50mm | 1.094 |
| | 2.00mm | 1.417 |
| Box Reinforcement steel | 1.25mm | 1.209 |
| | 1.50mm | 1.429 |
| | 2.00mm | 1.882 |
| DS01014-K | | |



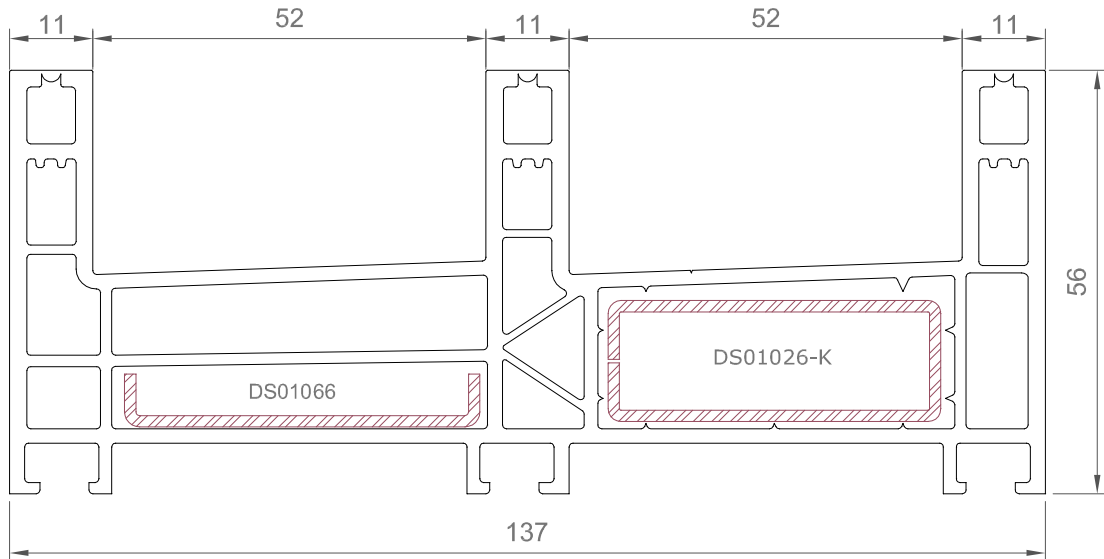
FIX SLIDING FRAME PROFILE

7411N EU-B 1.671 kg / m

| | | |
|--------------------------|--------|-------|
| Box- Reinforcement steel | 1.25mm | 0.862 |
| | 1.50mm | 1.024 |
| | 2.00mm | 1.317 |
| DS01046-K | | |
| Reinforcement steel | 1.25mm | 0.538 |
| | 1.50mm | 0.638 |
| | 2.00mm | 0.830 |
| DS01060 | | |
| Box Reinforcement steel | 1.25mm | 0.758 |
| | 1.50mm | 0.893 |
| | 2.00mm | 1.151 |
| DS01060-K | | |
| Box Reinforcement steel | 1.25mm | 0.679 |
| | 1.50mm | 0.799 |
| | 2.00mm | 1.025 |
| DS01083-K | | |



TECHNICAL CATALOG

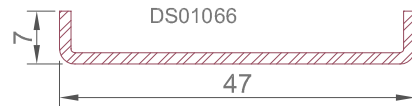
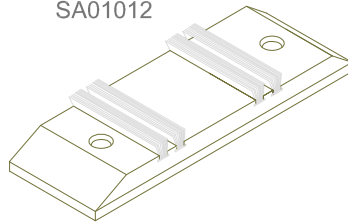


3 TRACK FRAME PROFILE

7413 EU-B 1.989 kg/m

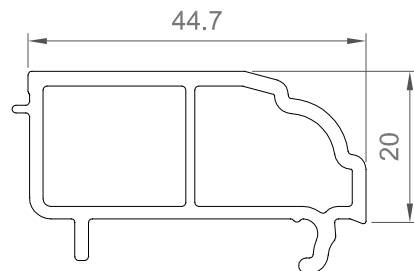
| | Thickness | Weight-kg/m |
|----------------------------------|-----------|-------------|
| Reinforcement steel DS01026-K | 1.25mm | 1.111 |
| | 1.50mm | 1.317 |
| | 2.00mm | 1.716 |
| Reinforcement steel DS01066 | 1.25mm | 0.568 |
| | 1.50mm | 0.670 |
| | 2.00mm | 0.882 |

SA01012



FIX SLIDING OFF FRAME PROFILE

7405N EU-B 0.337 kg/m

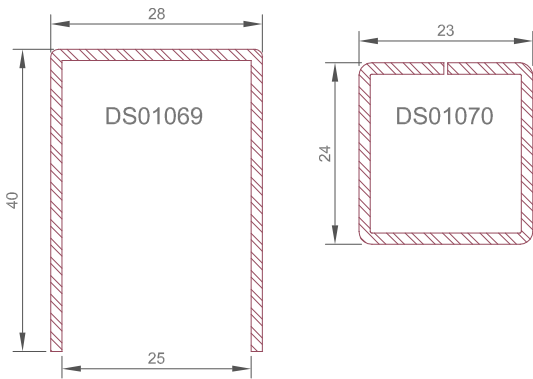
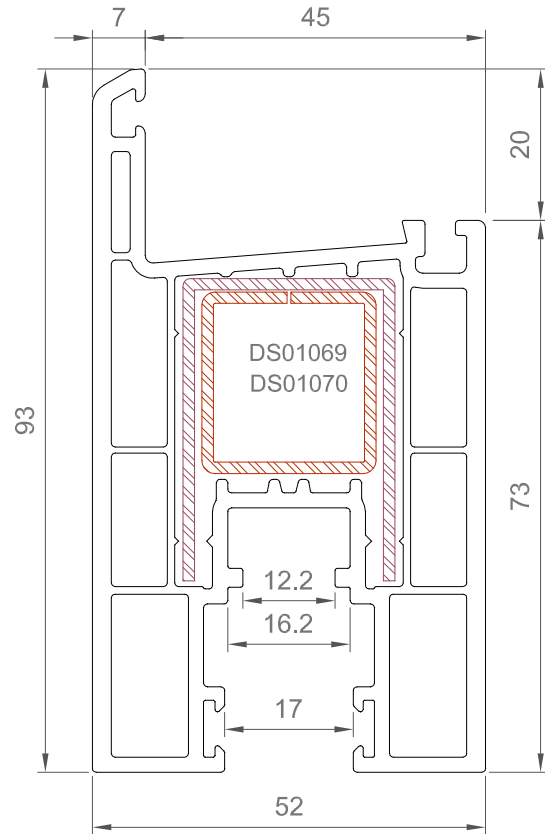


TECHNICAL CATALOG

SLIDING SASH PROFILE

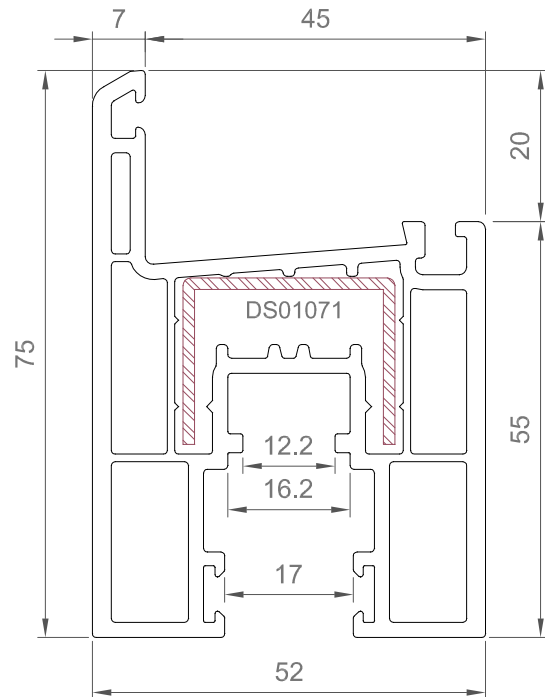
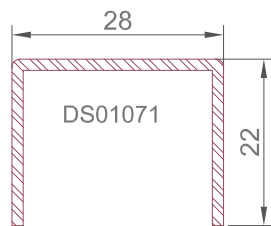
7414 EU-B 1.425 kg/m

| | Thickness | Weight-kg/m |
|---|-----------|-------------|
| U- Reinforcement steel DS01069 28x40 | 1.25mm | 1.032 |
| | 1.50mm | 1.233 |
| | 2.00mm | 1.620 |
| Box Reinforcement steel DS01070-K 22x24 | 1.25mm | 0.856 |
| | 1.50mm | 1.011 |
| | 2.00mm | 1.307 |
| U- Reinforcement steel DS01071 28x22 | 1.25mm | 0.679 |
| | 1.50mm | 0.809 |
| | 2.00mm | 1.055 |



SLIDING SASH PROFILE

7415 EU-B 1.226 kg/m

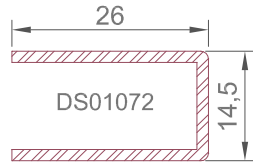
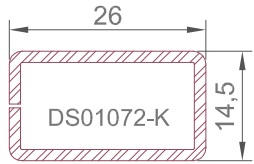
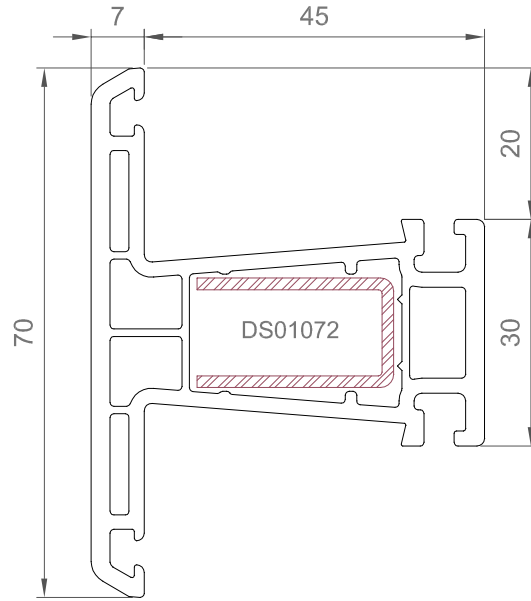


TECHNICAL CATALOG

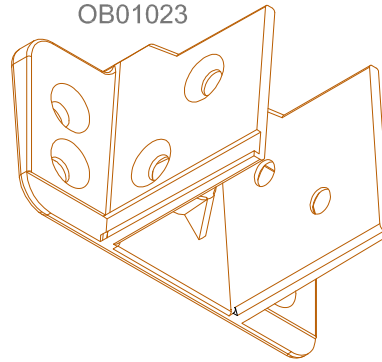
MULLION PROFILE

7416 EU-B 0.889 kg/m

| U- Reinforcement steel | Thickness | Weight-kg/m |
|-------------------------|-----------|-------------|
| DS01072 | 1.25mm | 0.625 |
| 14.5x26 | 1.50mm | 0.744 |
| | 2.00mm | 0.969 |
| Box Reinforcement steel | Thickness | Weight-kg/m |
| DS01072-K | 1.25mm | 0.729 |
| 14.5x26 | 1.50mm | 0.858 |
| | 2.00mm | 1.103 |

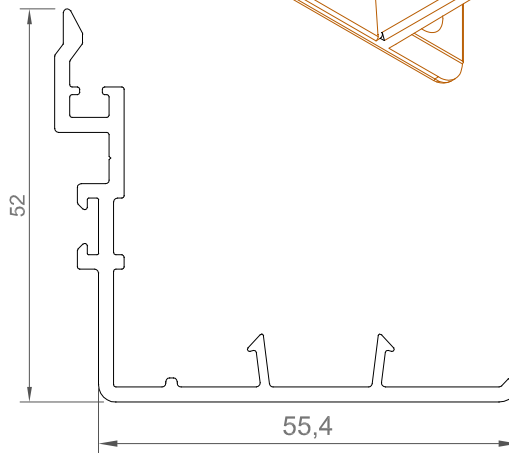


OB01023



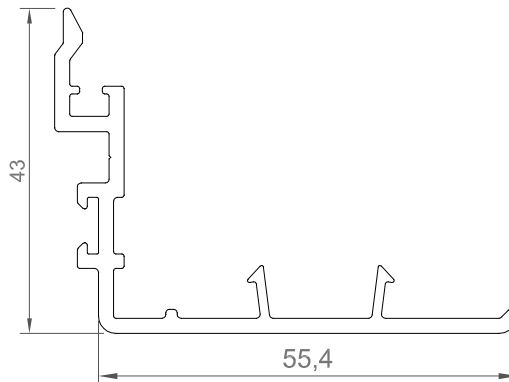
PROFILE OF SLIDING INTERLOCK

7418 EU-B 0.398 kg/m



PROFILE OF SLIDING INTERLOCK

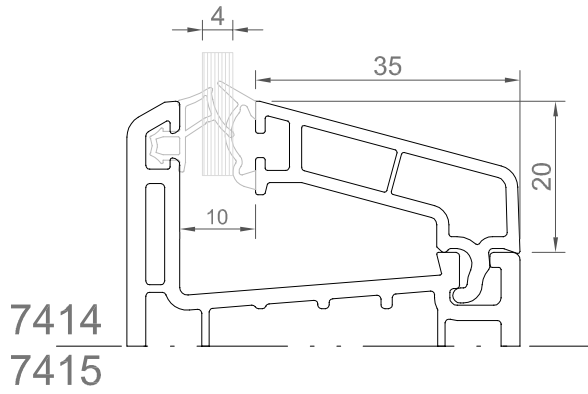
7419 EU-B 0.372 kg/m



TECHNICAL CATALOG

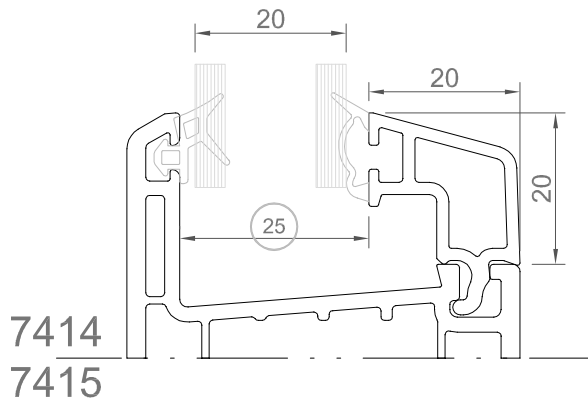
SINGLE GLAZING BEAD - 4mm

6306 $0.243+0.027=0.270$ kg/m



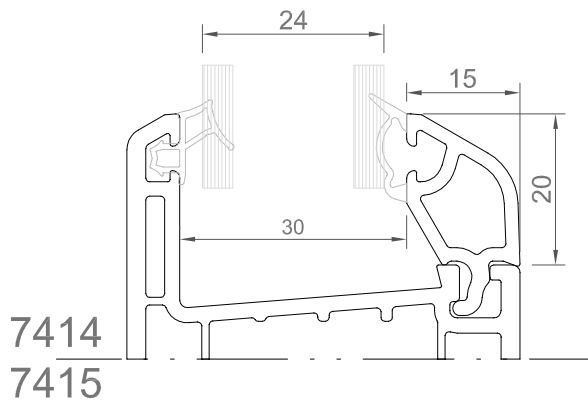
DOUBLE GLAZING BEAD - 20mm

6307 $0.185+0.027=0.212$ kg/m



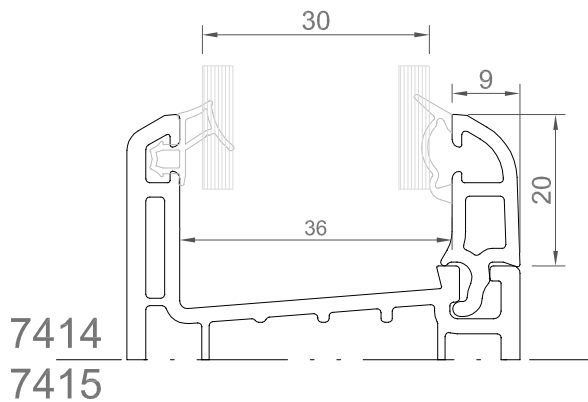
DOUBLE GLAZING BEAD - 24mm

7063 $0.172+0.027=0.199$ kg/m



TRIPLE GLAZING BEAD - 30mm

7464 $0.151+0.027=0.178$ kg/m

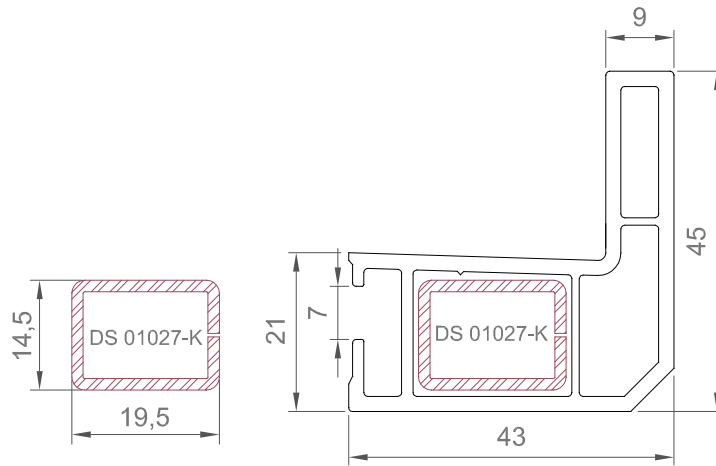


TECHNICAL CATALOG

SLIDING RAIL CASE SCREENING

7407 0.520 kg/m

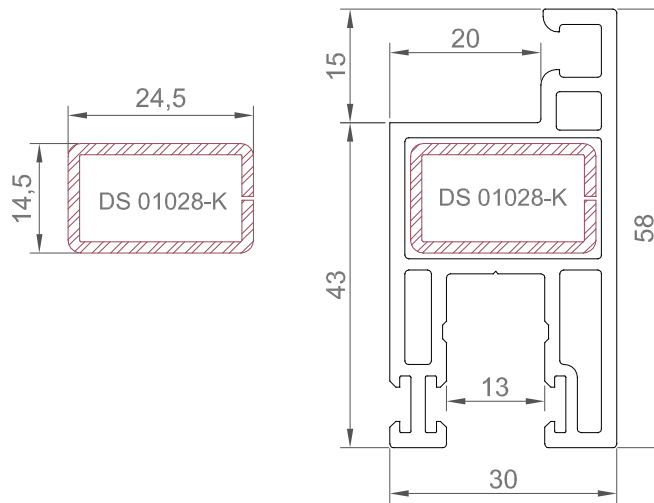
| Box Reinforcement | Thickness | Weight-kg/m |
|-------------------|-----------|-------------|
| steel | 1.25mm | 0.601 |
| DS01027-K | 1.50mm | 0.705 |
| | 2.00mm | 0.899 |



SLIDING FRAME PROFILE SCREENING

7408 0.644 kg/m

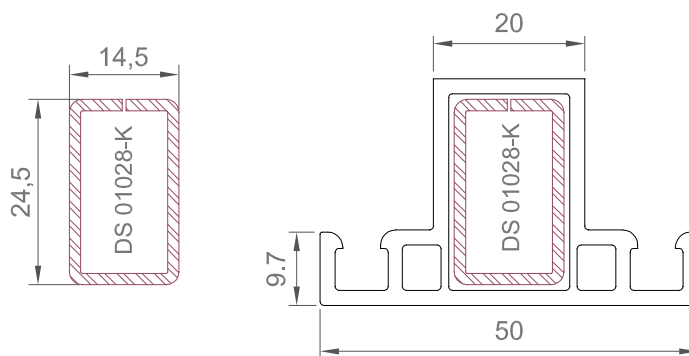
| Box Reinforcement | Thickness | Weight-kg/m |
|-------------------|-----------|-------------|
| steel | 1.25mm | 0.699 |
| DS01028-K | 1.50mm | 0.822 |
| | 2.00mm | 1.056 |



SLIDING SASH IN SCREENING MULLION

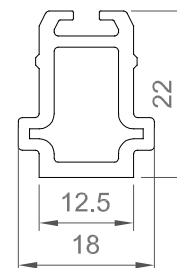
7409 0.459 kg/m

| Box Reinforcement | Thickness | Weight-kg/m |
|-------------------|-----------|-------------|
| steel | 1.25mm | 0.699 |
| DS01028-K | 1.50mm | 0.822 |
| | 2.00mm | 1.056 |



SCREENING PROFILE SLIDING WING FILLER

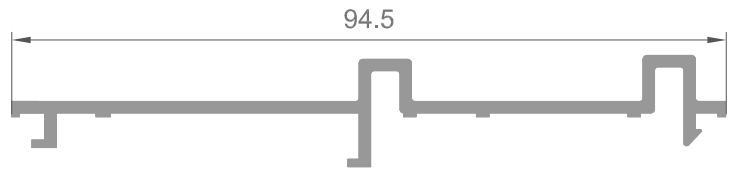
7410 0.197 kg/m



TECHNICAL CATALOG

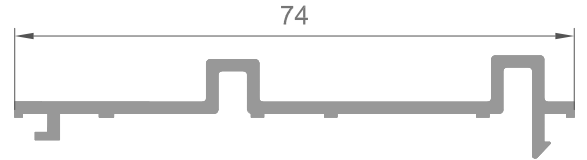
CONNECTION PROFILE FOR 5201 FRAME PRF.

AB01002-P (2485) 0.560 kg/m



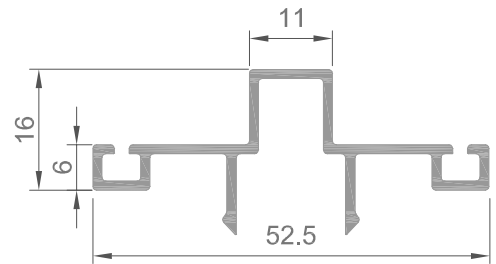
CONNECTION PROFILE FOR 5201 FRAME PRF.

AB01003-P (1986) 0.438 kg/m



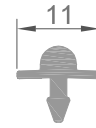
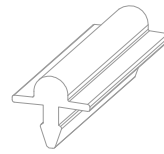
CONNECTION PROFILE .(7414-7415)

AB01004 (1961) 0.515 kg/m



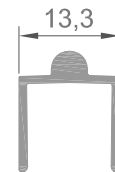
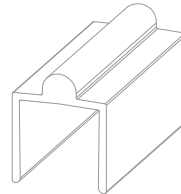
SLIDING RAIL

AB01016-P (13155) 0.099 kg/m

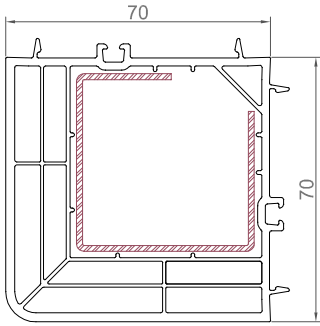


SLIDING RAIL

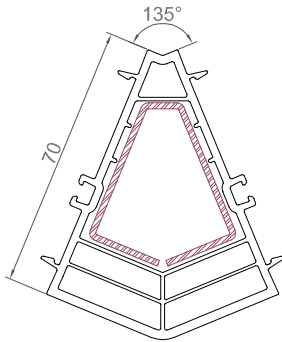
AB01017-P (13156) 0.137 kg/m



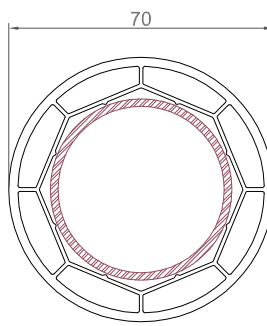
AUXILIARY PROFILES



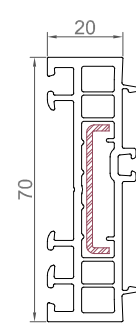
90 DEGREE CORNER PROFILE
7252 1.337 kg/m



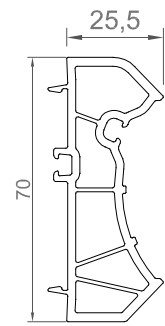
135 DEGREE CORNER PROFILE
7253 0.924 kg/m



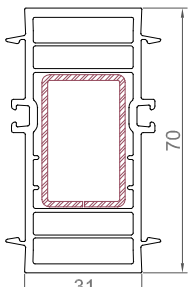
CORNER PIPE PROFILE
7254 1.044 kg/m



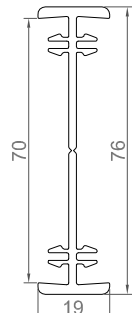
FRAME EXTENSION PROFILE
7259 0.723 kg/m



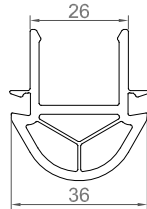
CORNER ADAPTER PROFILE
7255 0.716 kg/m



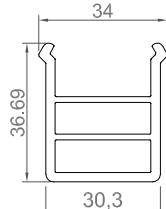
GRIYAJ CONNECTION PROFILE
7256 0.845 kg/m



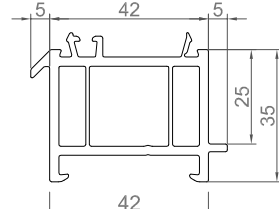
NARROW CONNECTION PROFILE
7275 0.431 kg/m



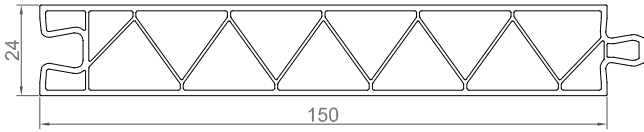
GRIYAJ CONNECTION
7258 0.491 kg/m



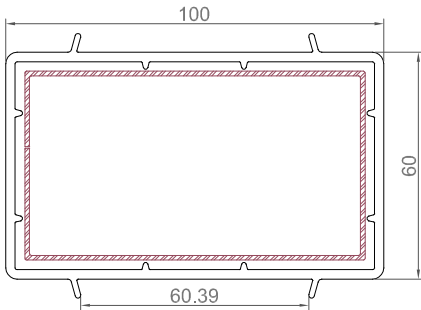
FRAME EXTENSION
6053 0.472 kg/m



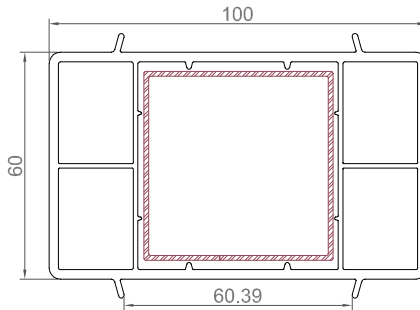
FRAME EXTENSION
7257 0.658 kg/m



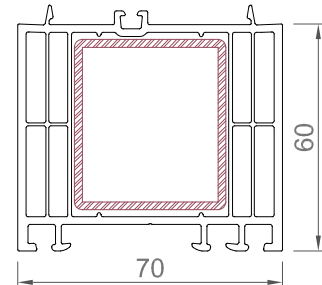
PANEL PROFILE "150x24mm" - 7251 1.135 kg/m



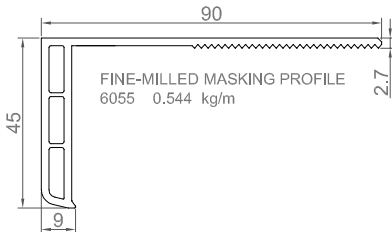
60x100 BOX PROFILE
6052 0.986 kg/m



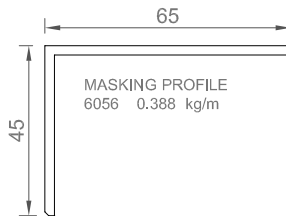
60x100 CHAMBER BOX PROFILE
6051 1.148 kg/m



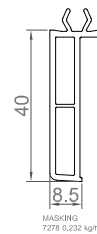
70x60mm FRAME EXTENSION PROFILE
7281 1.186 kg/m



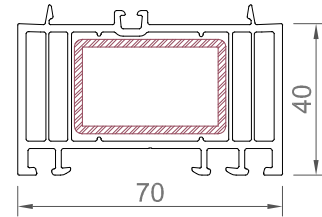
FINE-MILLED MASKING PROFILE
6055 0.544 kg/m



MASKING PROFILE
6056 0.388 kg/m



MASKING
7278 0.232 kg/m

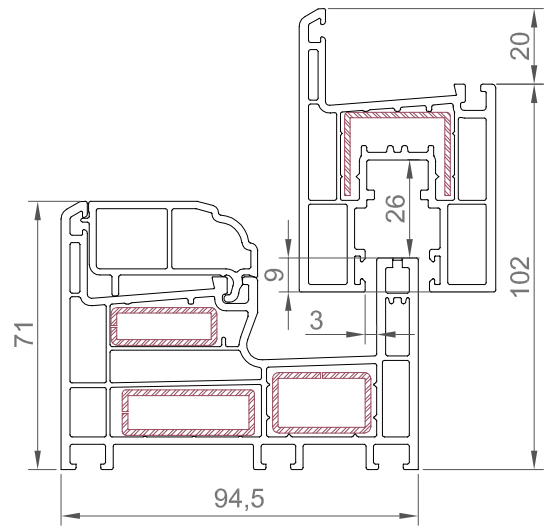
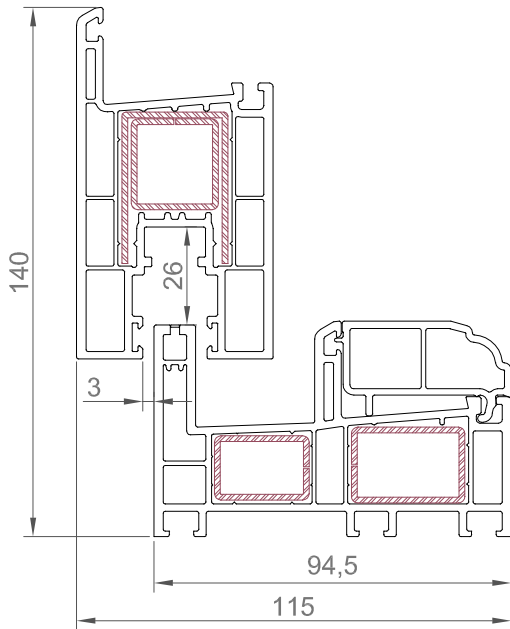
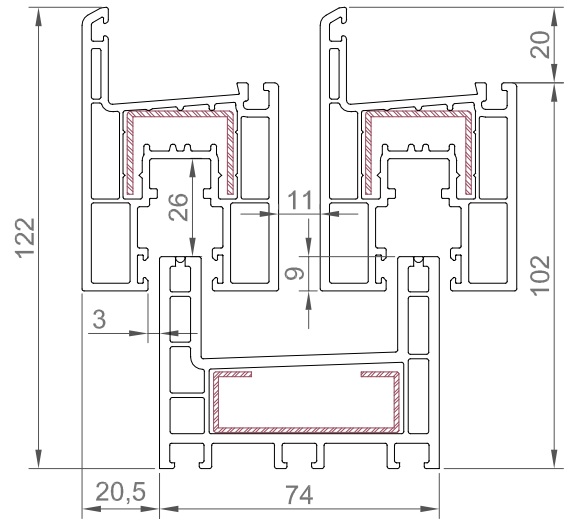
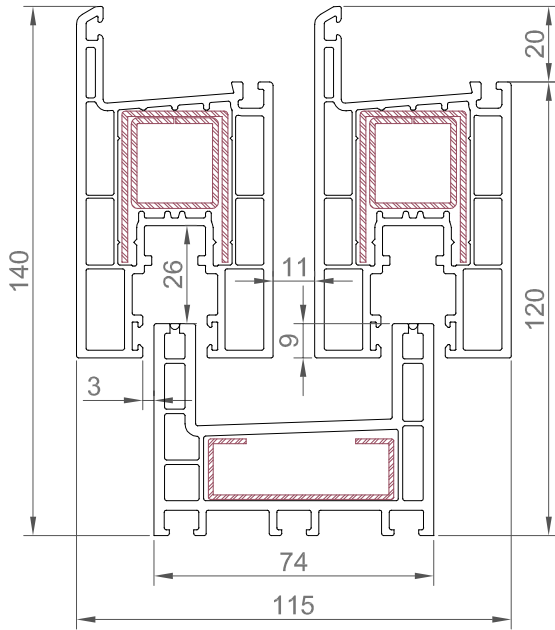


70x40mm FRAME EXTENSION PROFILE
7280 0.929 kg/m

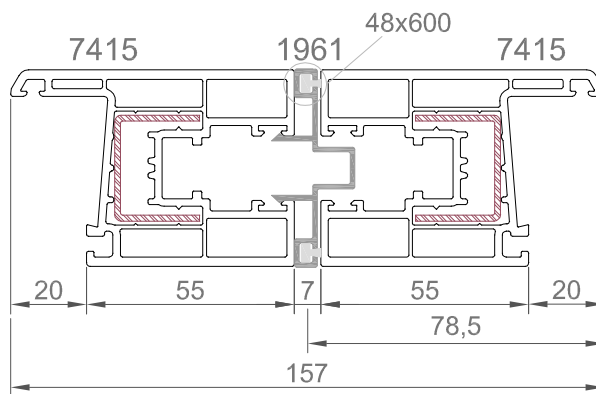
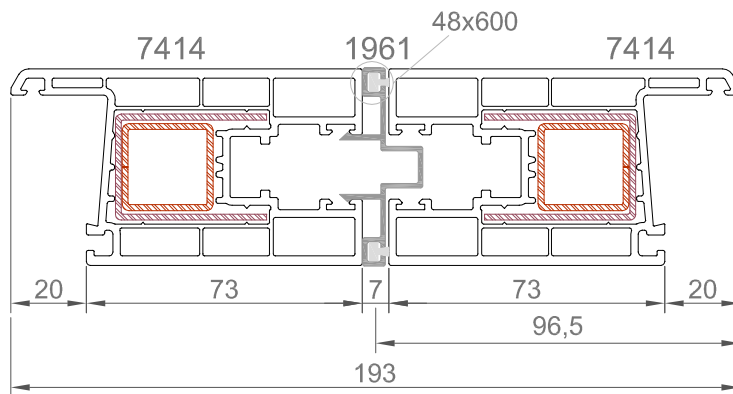
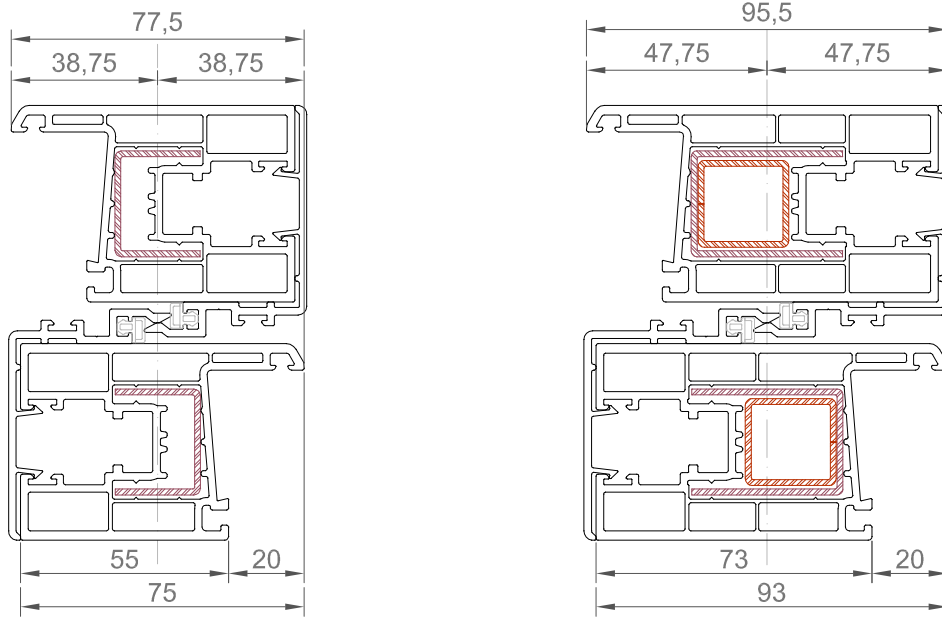


THICK MASKING PROFILE
6019 0.780 kg/m

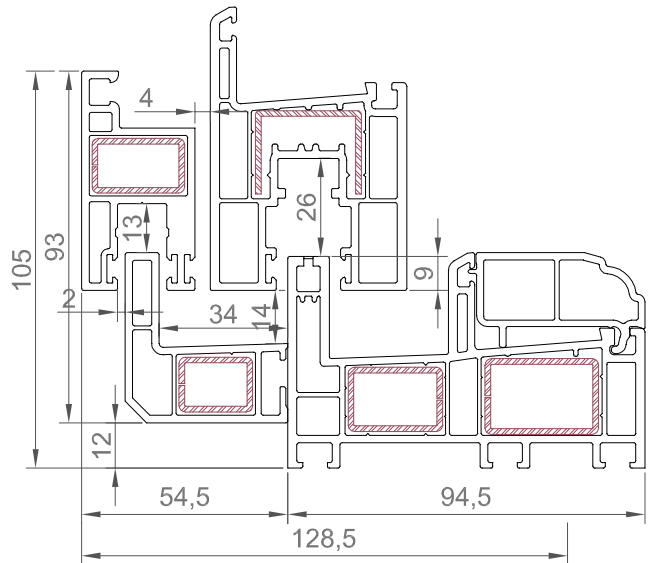
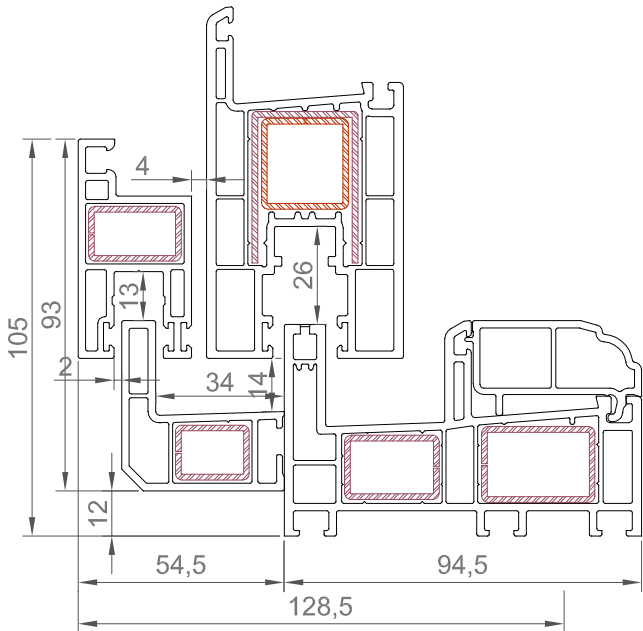
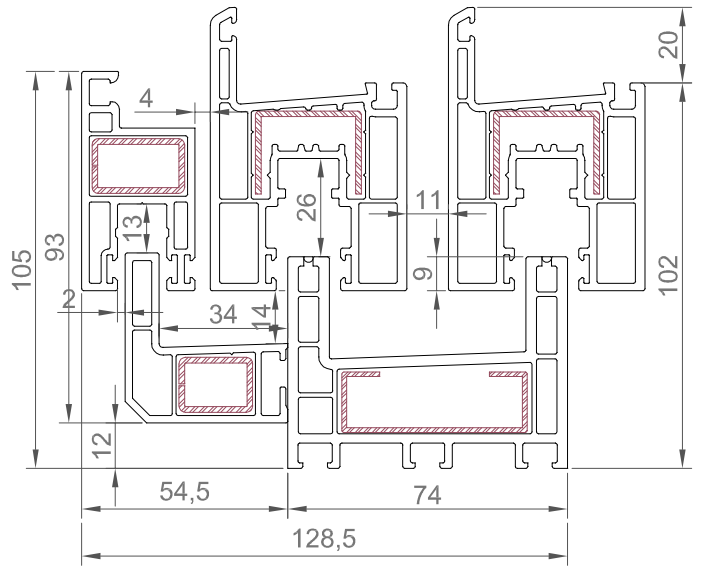
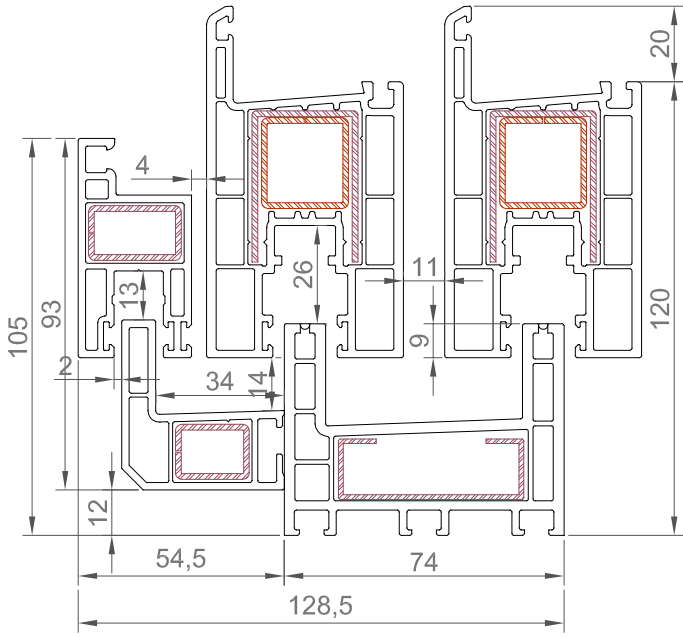
TECHNICAL CATALOG



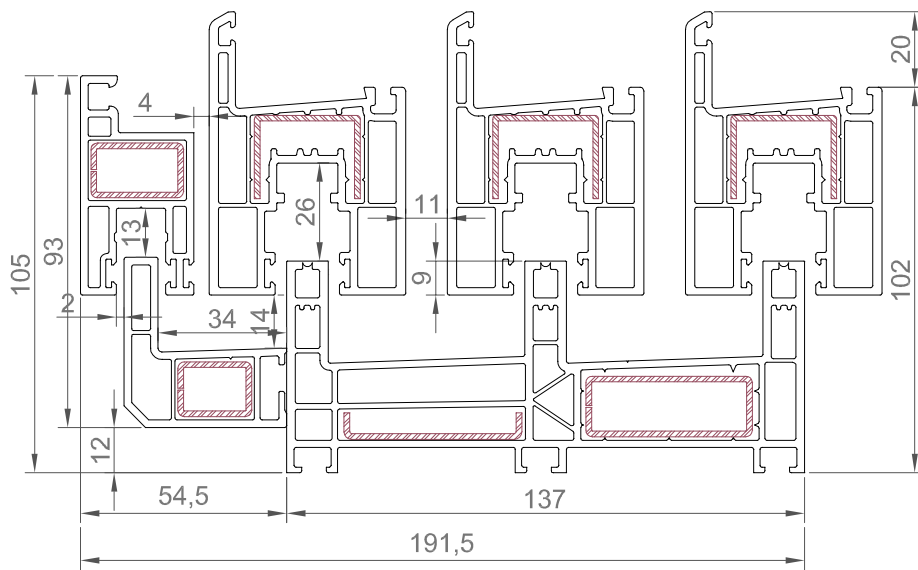
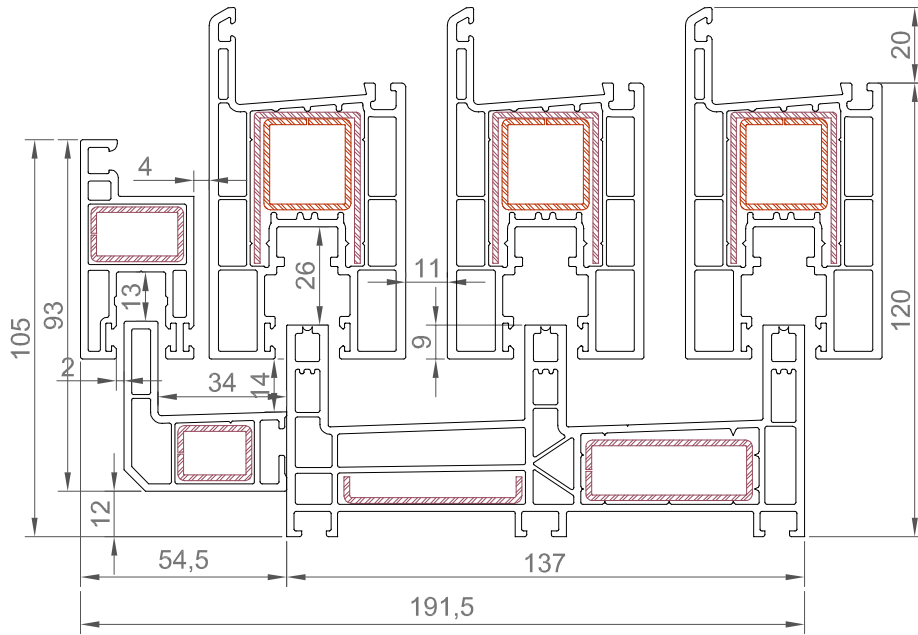
TECHNICAL CATALOG



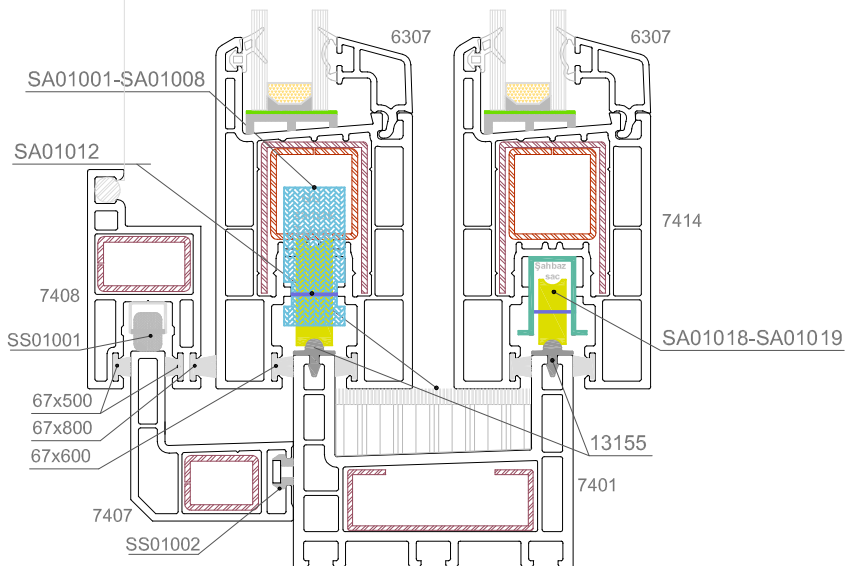
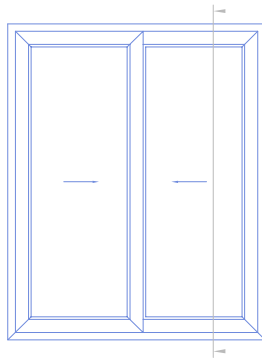
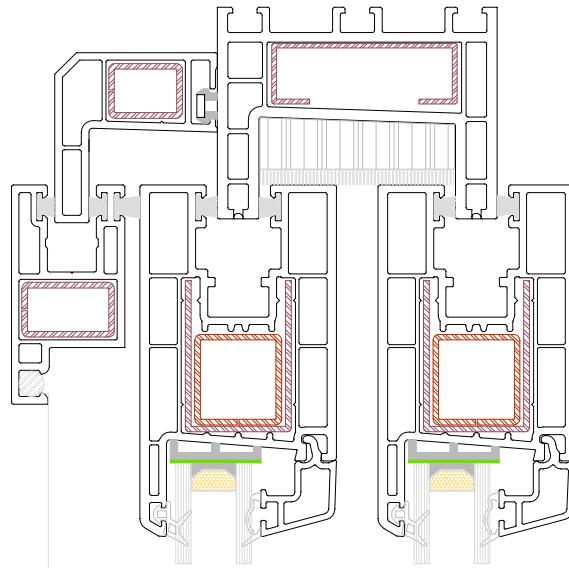
TECHNICAL CATALOG



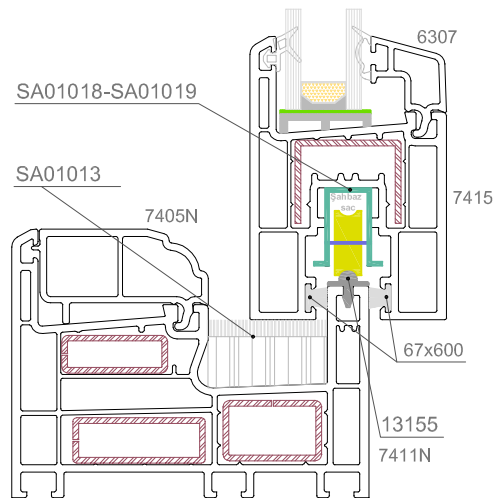
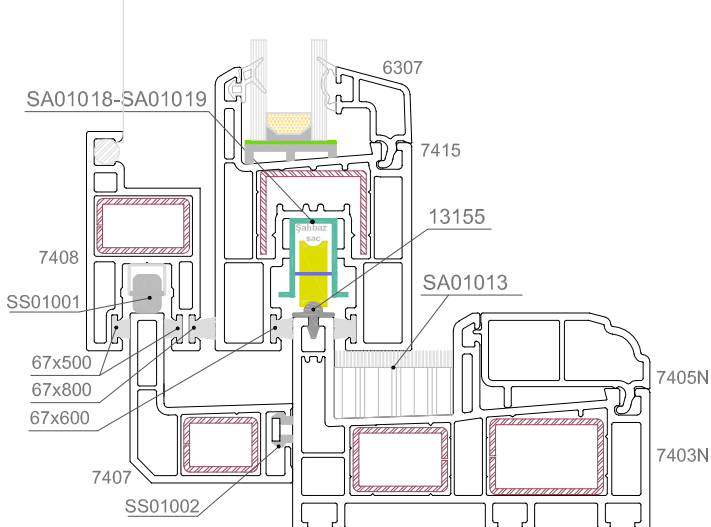
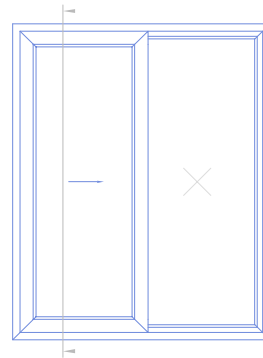
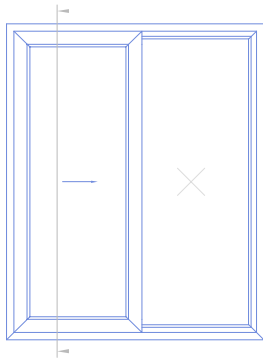
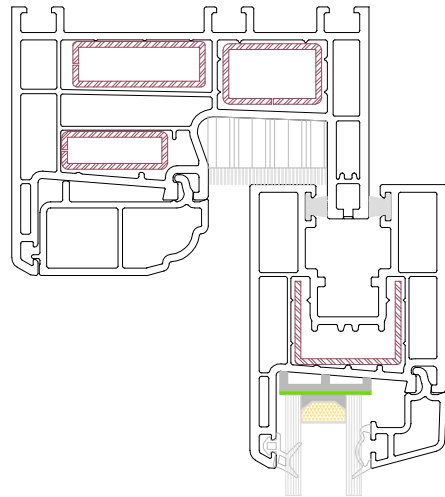
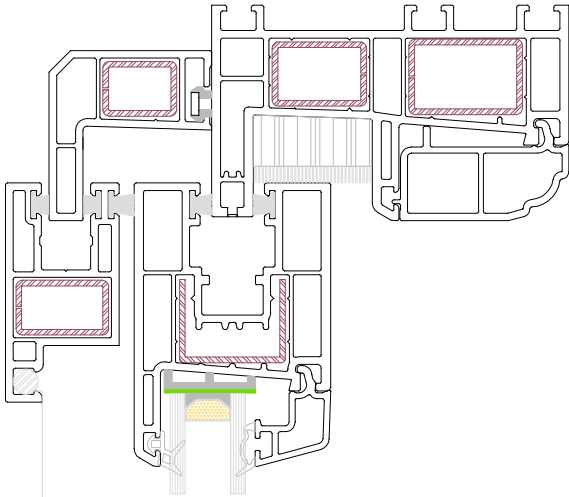
TECHNICAL CATALOG



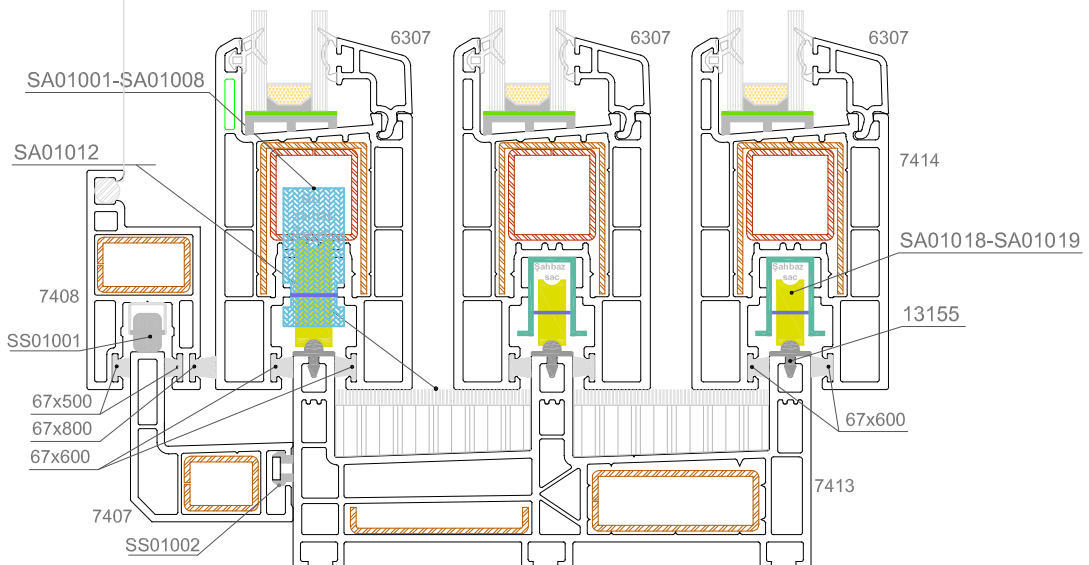
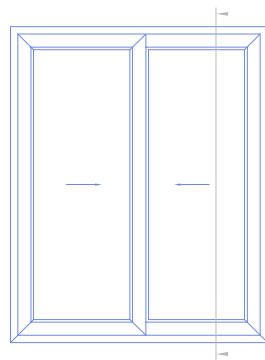
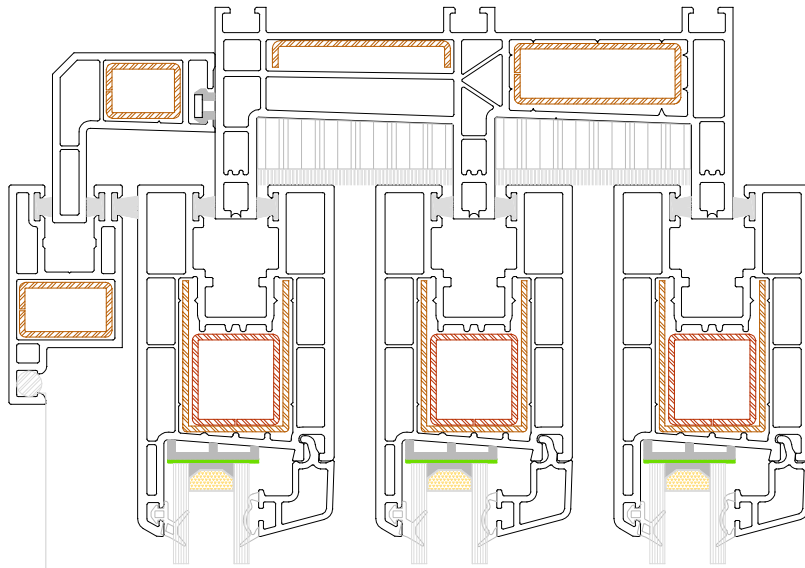
TECHNICAL CATALOG



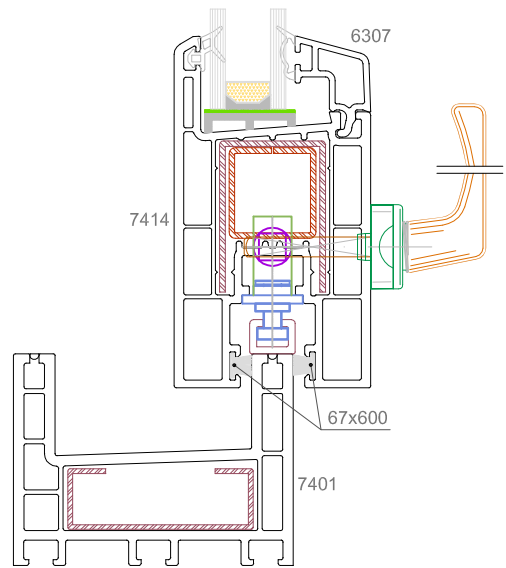
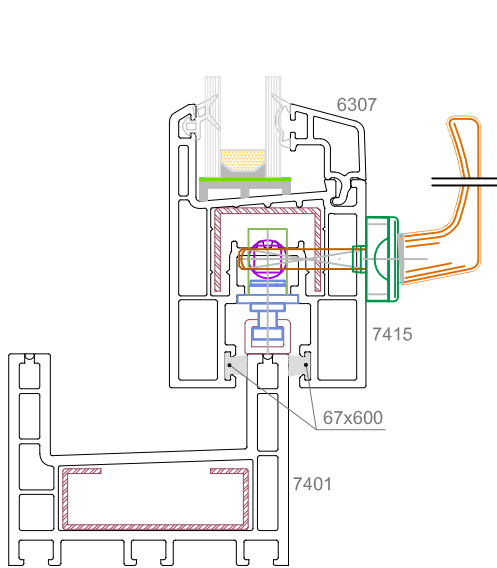
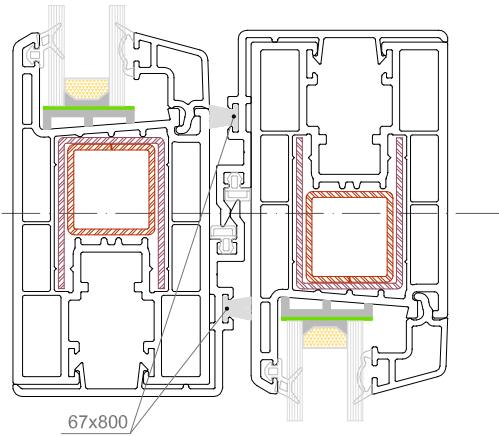
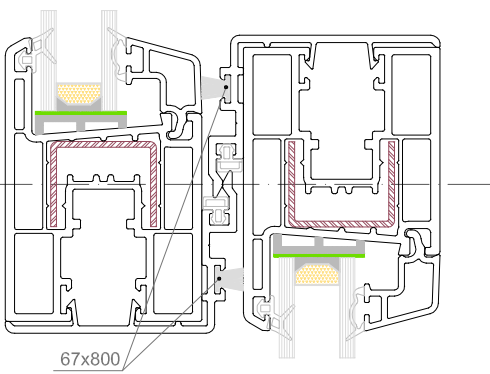
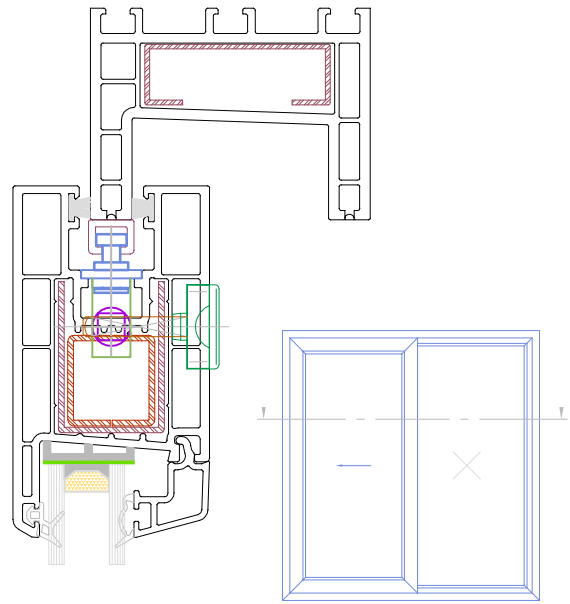
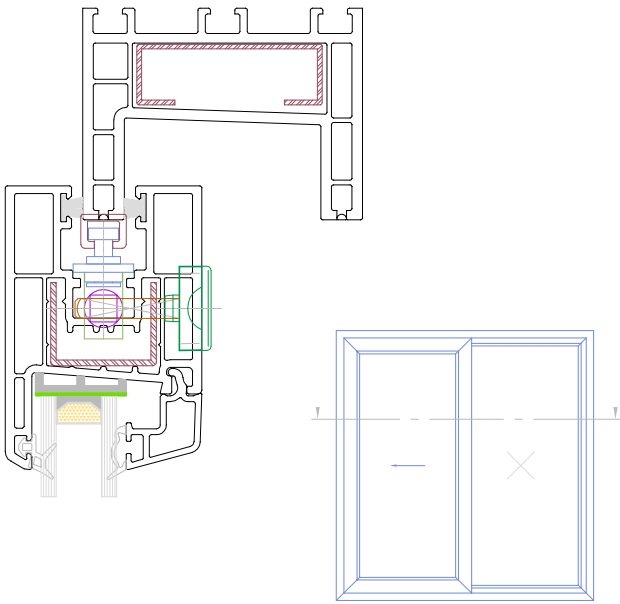
TECHNICAL CATALOG



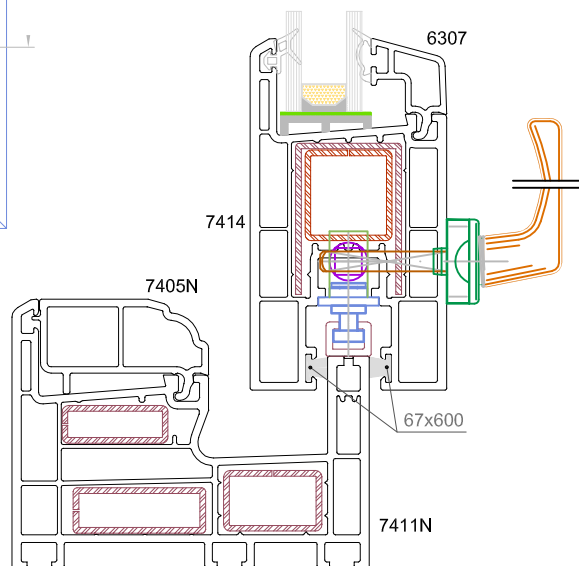
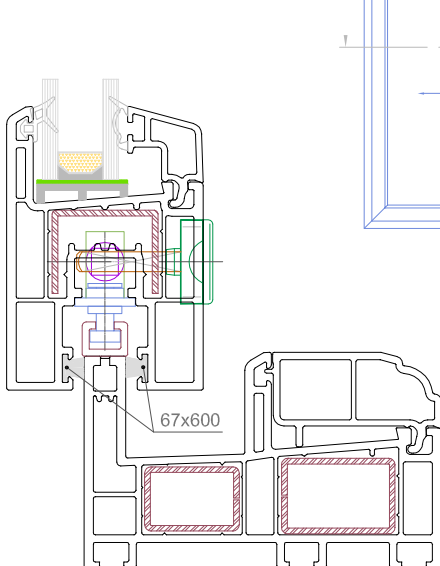
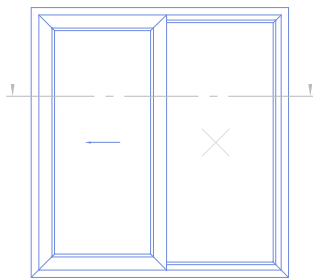
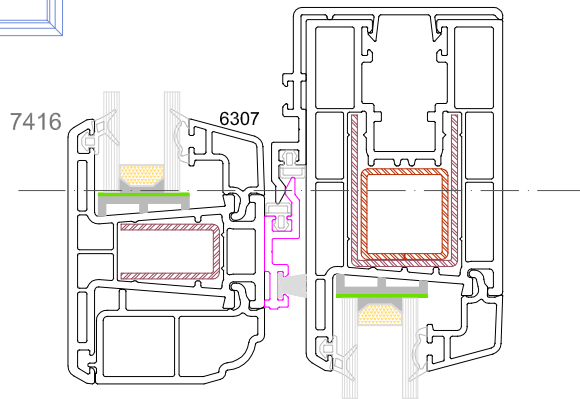
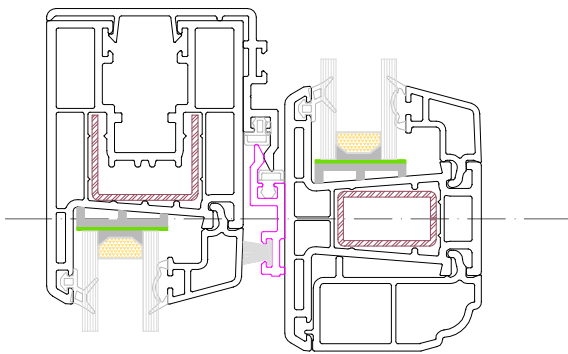
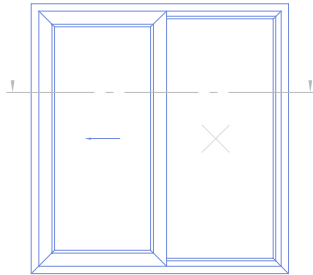
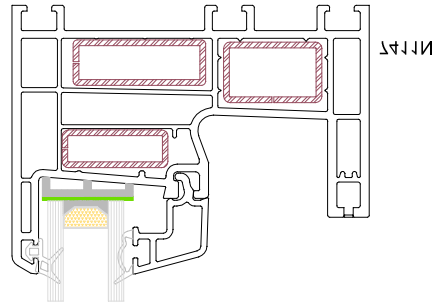
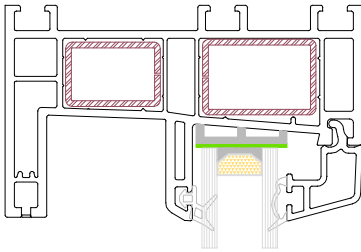
TECHNICAL CATALOG



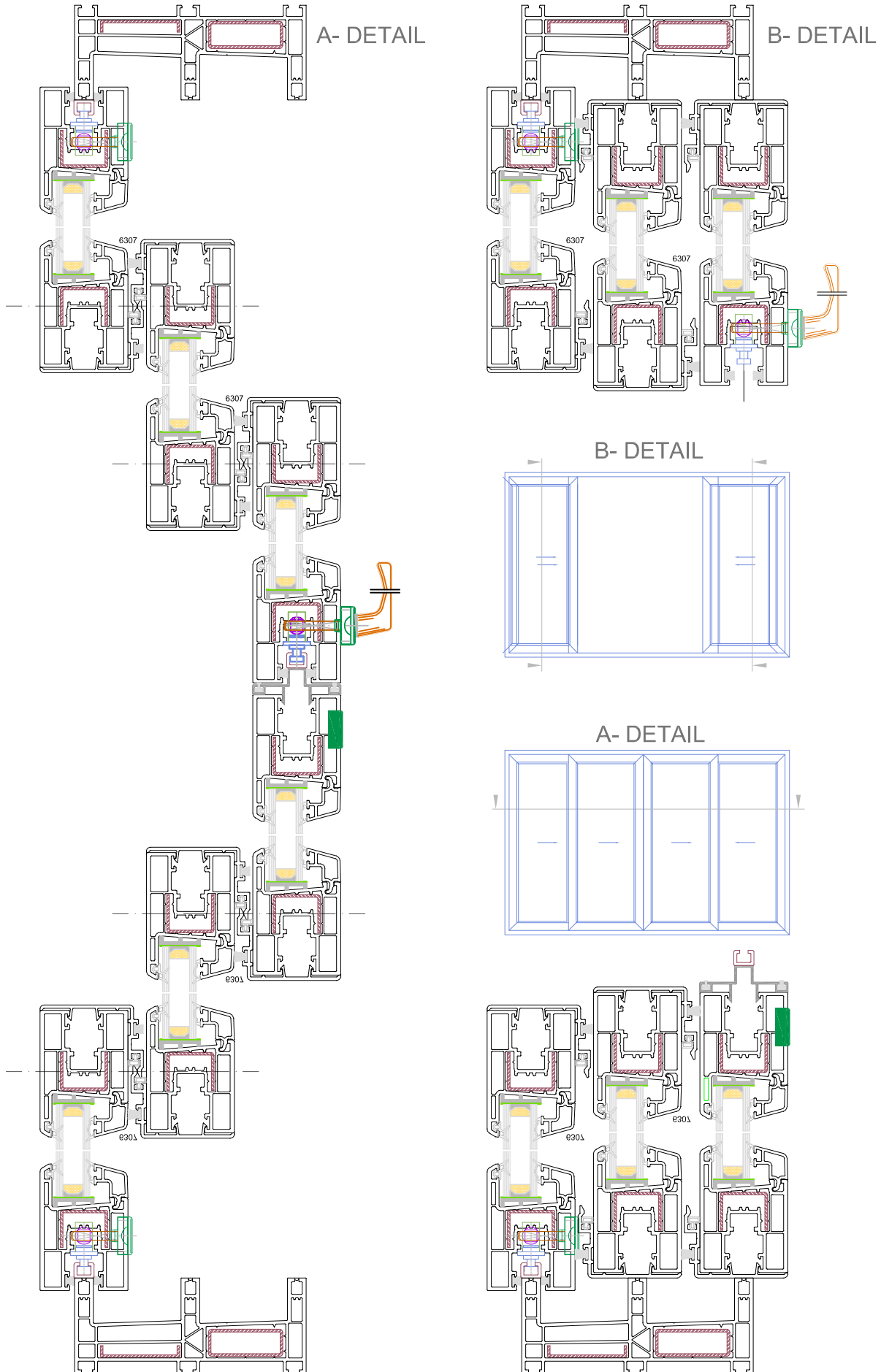
TECHNICAL CATALOG



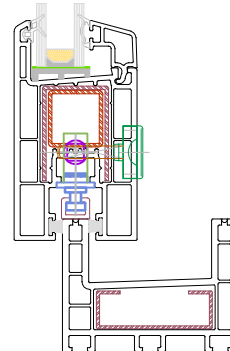
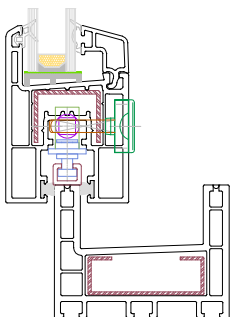
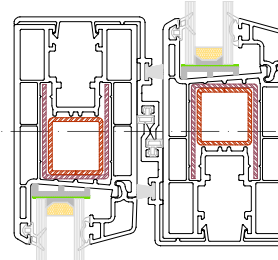
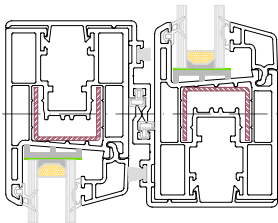
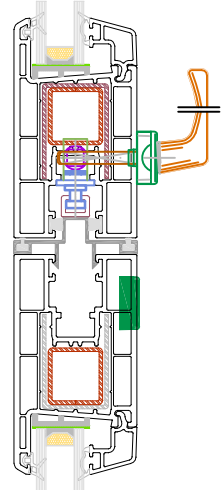
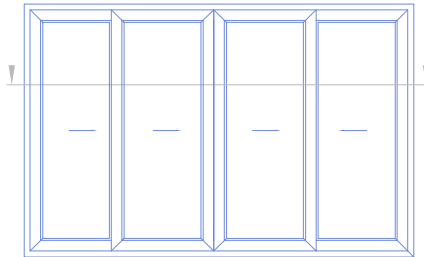
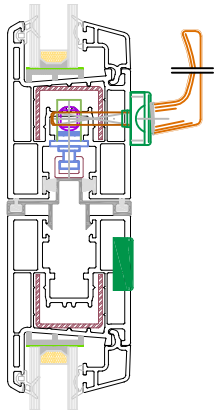
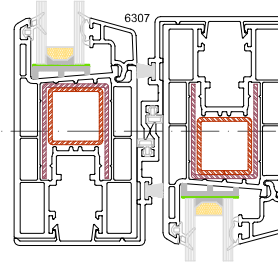
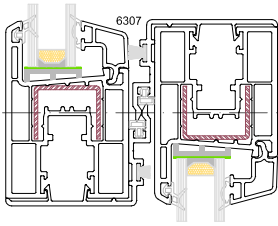
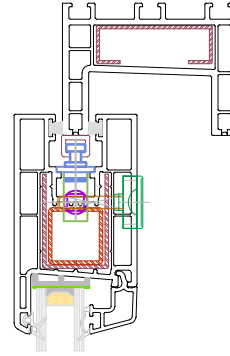
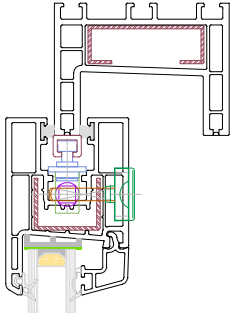
TECHNICAL CATALOG



TECHNICAL CATALOG

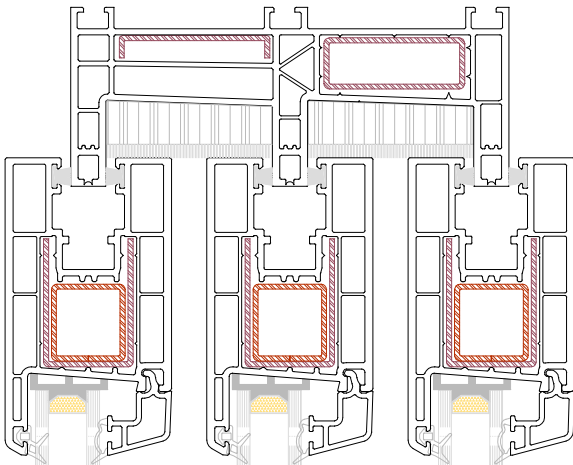


TECHNICAL CATALOG

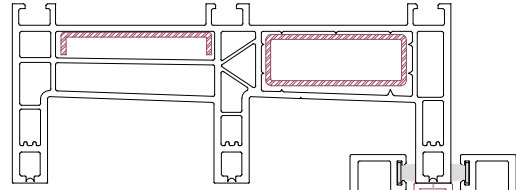


TECHNICAL CATALOG

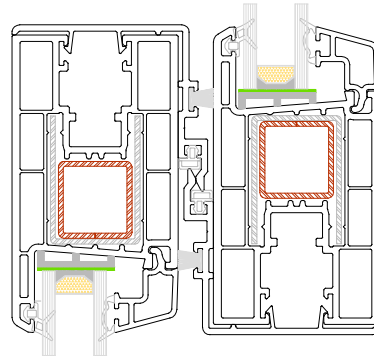
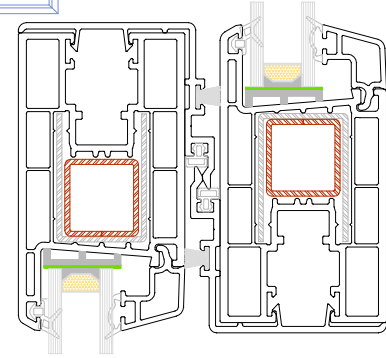
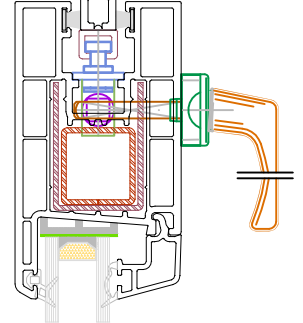
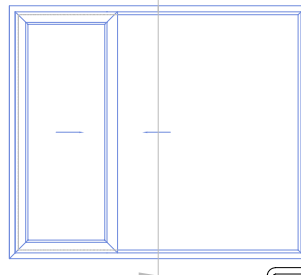
B - DETAIL



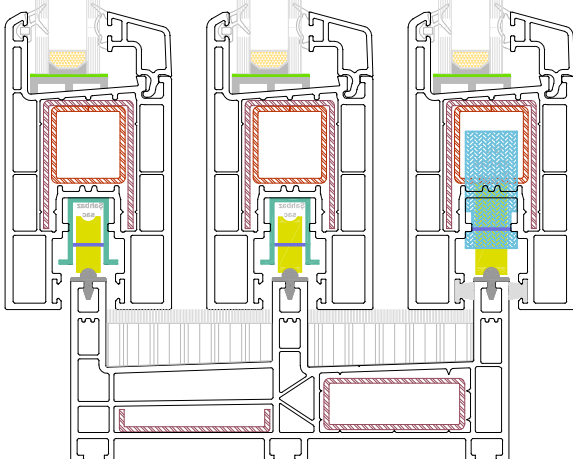
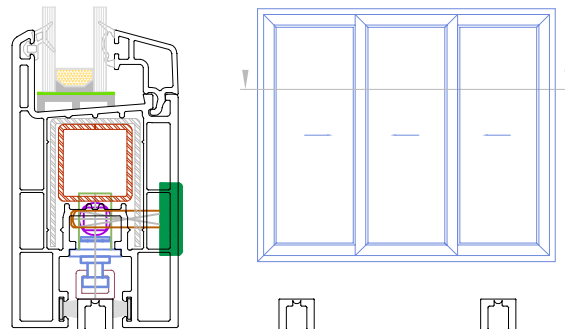
A - DETAIL



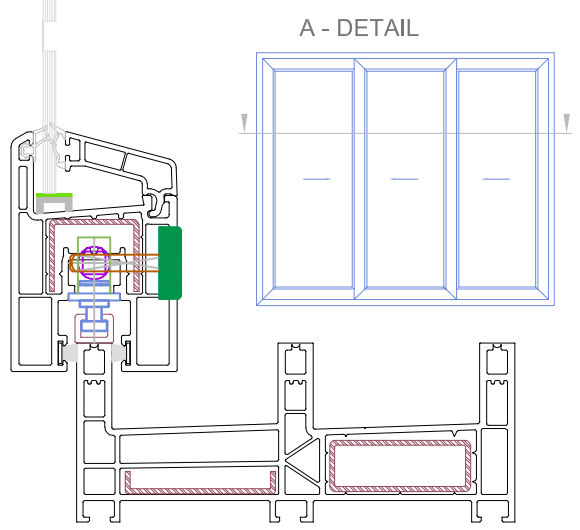
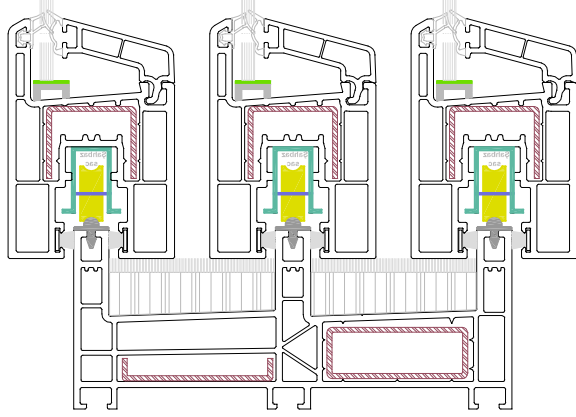
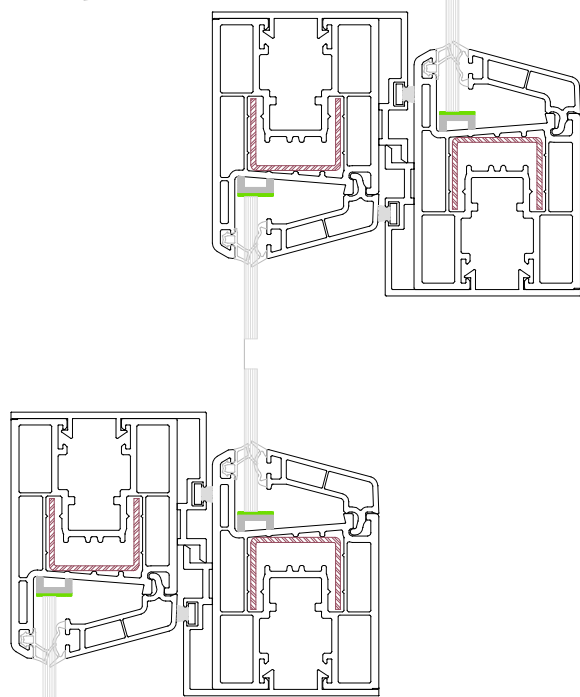
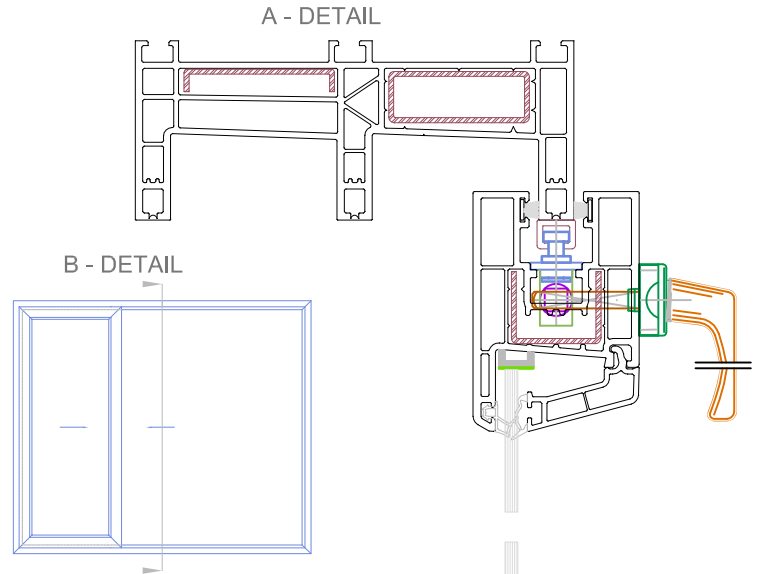
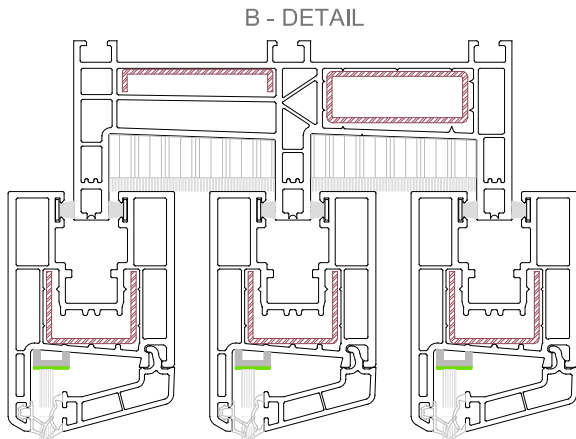
B - DETAIL



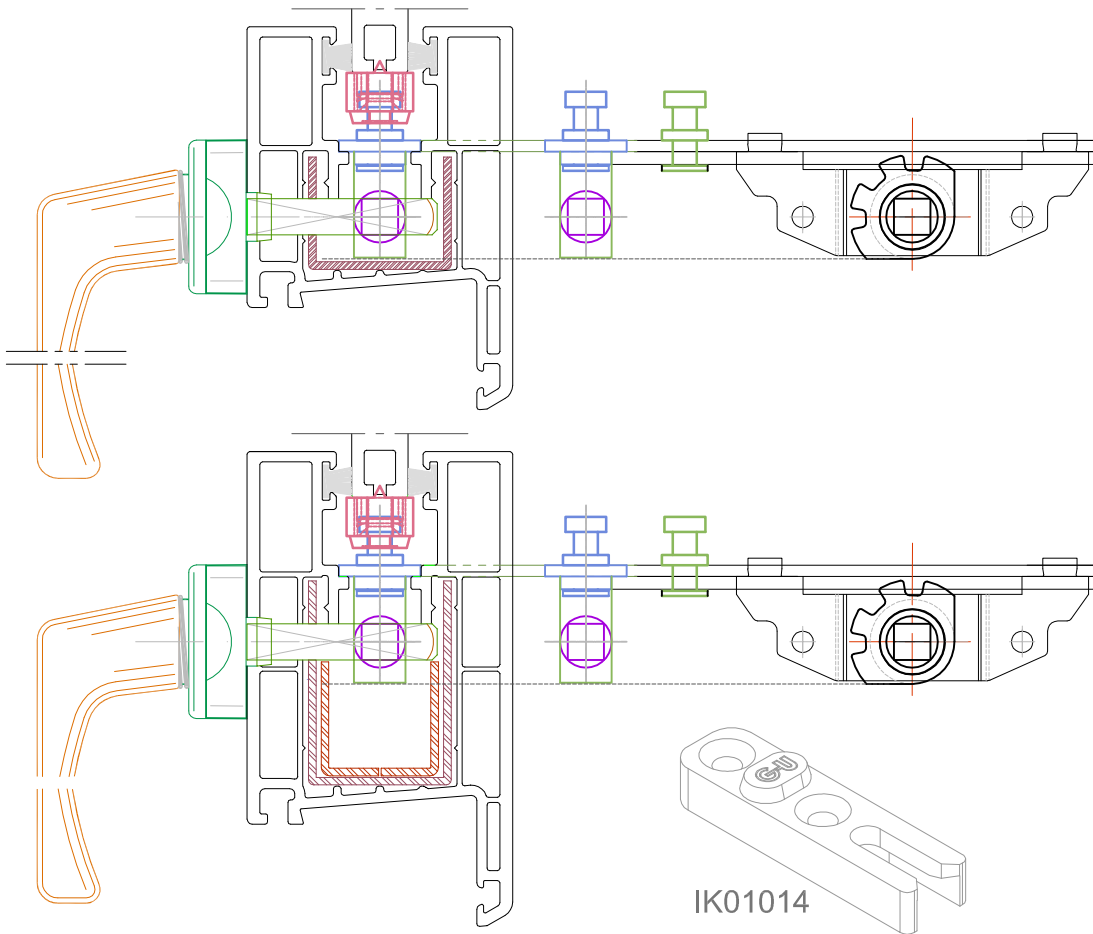
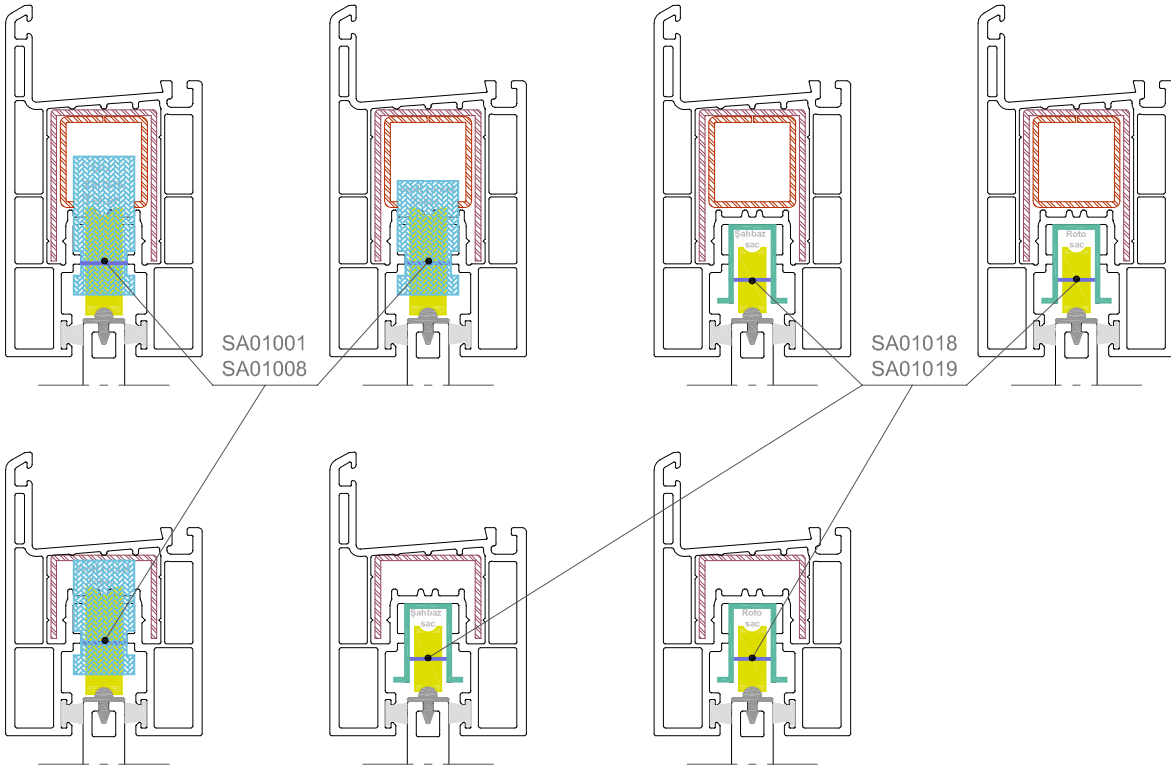
A - DETAIL



TECHNICAL CATALOG



TECHNICAL CATALOG



TECHNICAL CATALOG

