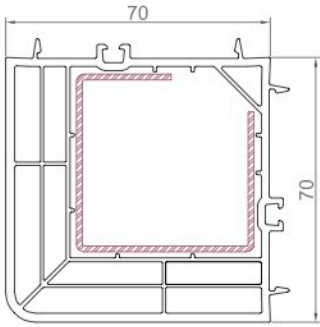
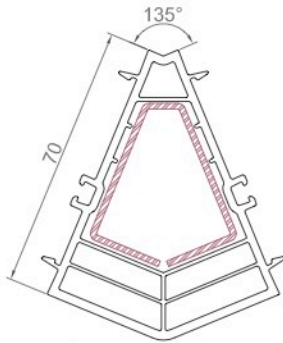


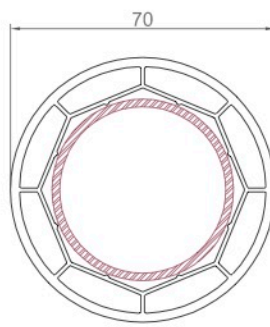
AUXILIARY PROFILES



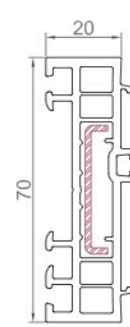
90° CORNER PROFILE
7252 1.337 kg/m



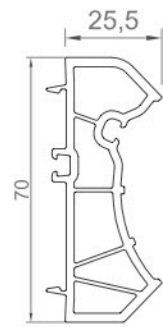
135° CORNER PROFILE
7253 0.924 kg/m



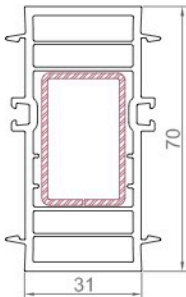
CORNER PIPE PROFILE
7254 1.044 kg/m



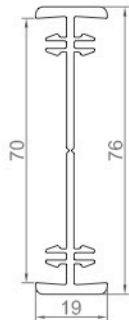
70x20 FRAME
EXTENSION PROFILE
7259 0.723 kg/m



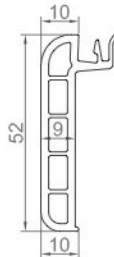
CORNER ADAPTER
PROFILE
7255 0.716 kg/m



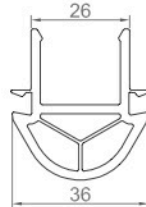
CONNECTION
PROFILE
7256 0.845 kg/m



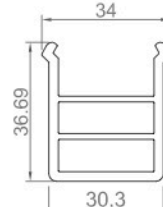
NARROW
CONNECTION PROFILE
7275 0.431 kg/m



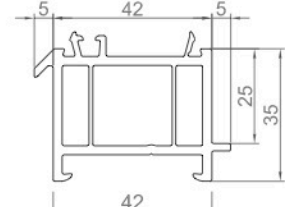
MASKING
PROFILE
7274 0.401 kg/m



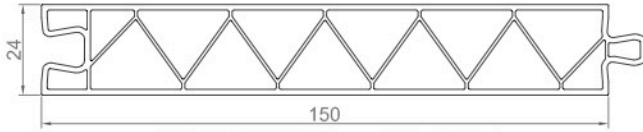
CONNECTION
PROFILE
7258 0.491 kg/m



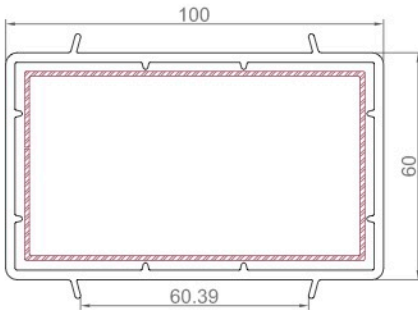
FRAME EXTENSION
6053 0.472 kg/m



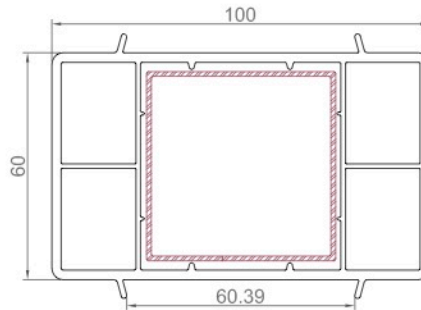
FRAME EXTENSION
7257 0.658 kg/m



PANEL PROFILE *150x24mm - 7251 1.135 kg/m



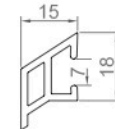
60x100 BOX PROFILE
6052 0.986 kg/m



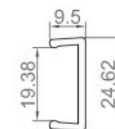
60x100 BOX PROFILE
6051 1.148 kg/m



SIDE COVER
7277-K



DROPPER PROFILE
7277 0.159 kg/m



PROFILE FOR SILL
7279 0.110 kg/m



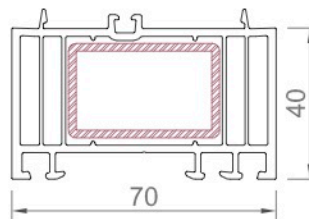
FINE-MILLED MASKING PROFILE
6055 0.544 kg/m



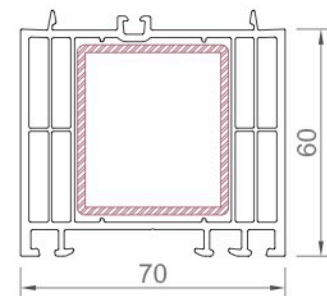
MASKING PROFILE
6056 0.388 kg/m



THICK MASKING PROFILE
6019 0.780 kg/m



70x40mm FRAME
EXTENSION PROFILE
7280 0.929 kg/m



70x60mm FRAME
EXTENSION PROFILE
7281 1.186 kg/m